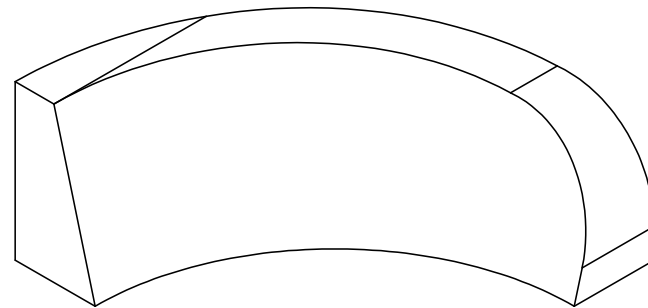
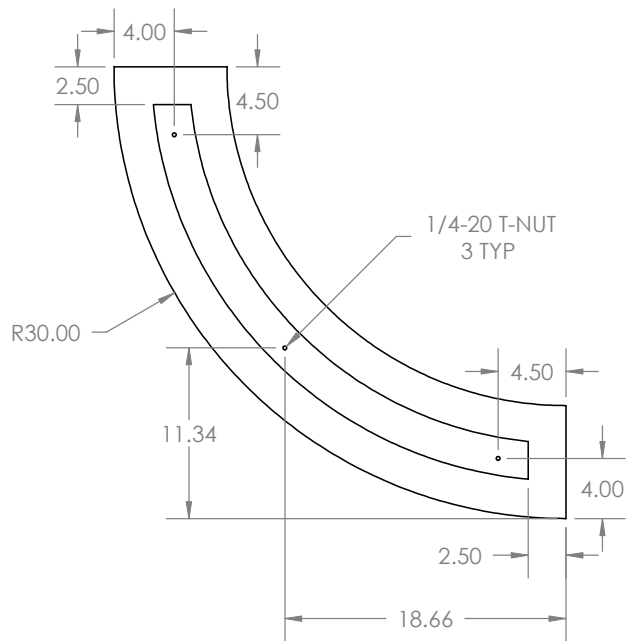
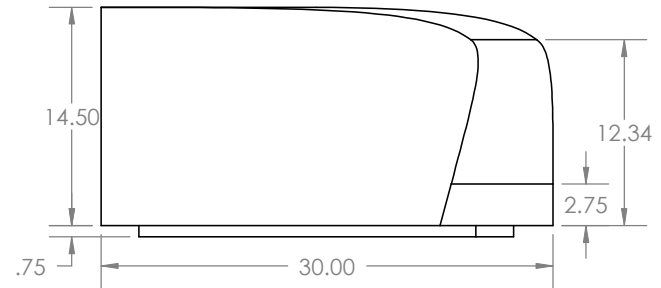
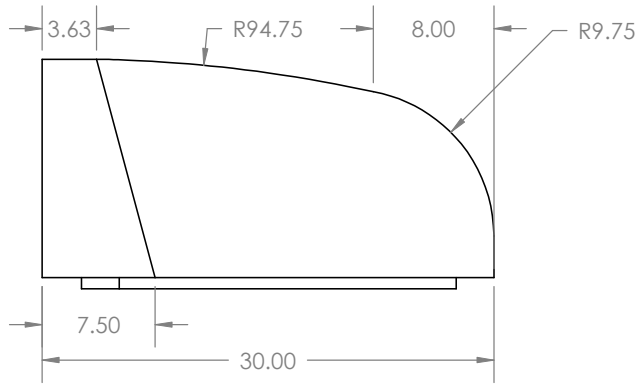


NO.

REVISION

DATE



CUSTOMER APPROVAL	
NAME:	
DATE:	

PAGE 1 OF 1

NOTE: ALL EDGES R0.38 UNLESS OTHERWISE NOTED

© 2009 MOELLER MARINE PRODUCTS ALL RIGHT RESERVED

CUSTOMER PART #



DESCRIPTION	ELITE LH CORNER SEAT BACK		
PART #	STA000126	COLOR	BLACK
MATERIAL	LINEAR POLYETHYLENE		
TOLERANCES	±1.5 % UNLESS OTHERWISE NOTED		
WALL THK.	0.200" NOMINAL	DATE	10/7/09
DRAWN BY	MOELLER MARINE PRODUCTS		

THIS DRAWING AND THE ATTACHED DRAWINGS (AND THE DATA SHOWN THERON) IS CONFIDENTIAL AND PROPRIETARY AND SHALL NOT BE USED, DISCLOSED TO OTHERS, REPRODUCED FOR ANY PURPOSE EXCEPT FOR QUOTATION TO OR ORDER BY MOELLER MARINE PRODUCTS, INC. AND/OR IT'S SUBSIDIARIES WITHOUT THEIR WRITTEN CONSENT TO THE USE OF SUCH DRAWINGS AND/OR DATA.