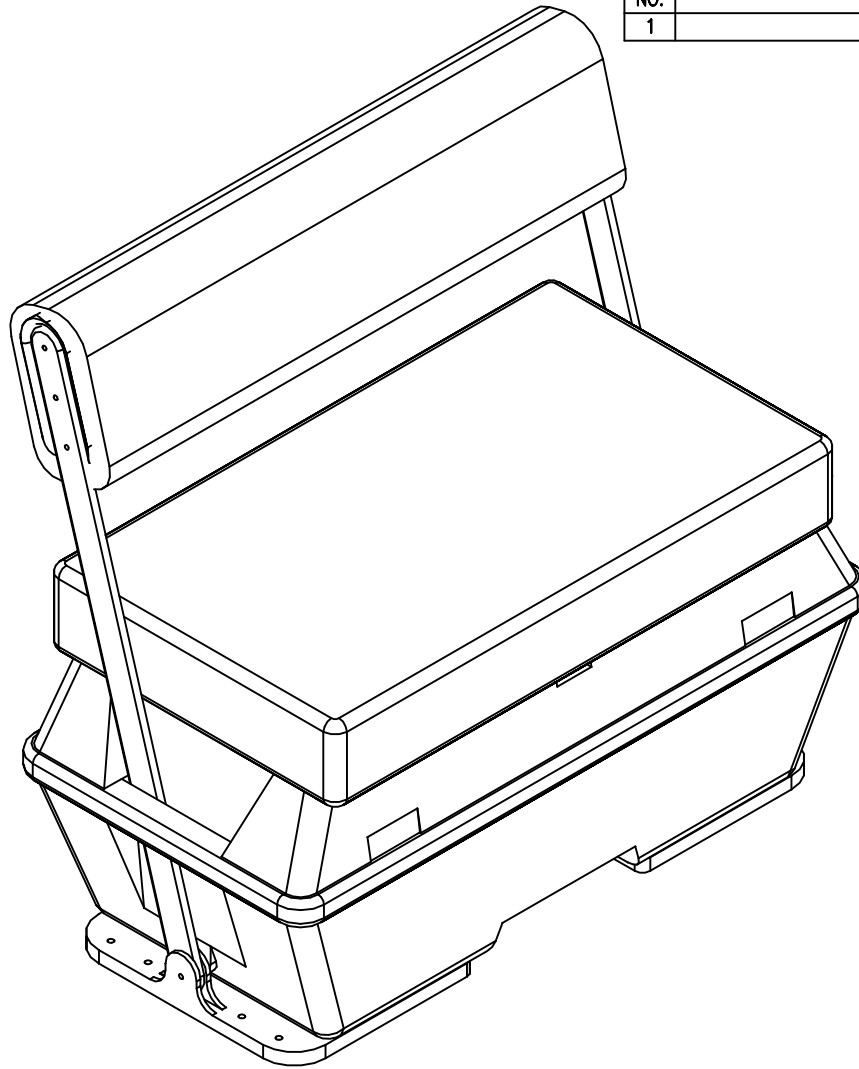


BILL of MATERIALS

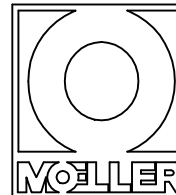
Qty.	PART #	DESCRIPTION
6	A001535	BLK. 1/4-20X3/4 SS OVPHMS
2	A001536	BLK. 1/4X20X5/16X3/4 SHD. BOLT
1	STA000192	SM FF COOLER BACK W/CAMO UPH
1	STA000193	SM FF BTM UPH CAMO
1	LW-866TAN	SM COOLER BASE - TAN
2	000261-BLK	33.5"X 2"X.312 ALUM BAR BLK
2	000271	2.5" X 3" S.S BUTT HINGE
1	090801-00	AIR CHAM. PLUG 5/8"
10	164041	5/16"ID FLAT WASHER S.S
1	200218	SM. BOAT ST.COOLER W/WH.OPT.BOX
8	304211	1/4"-20 X 1/2" PH PN S.S. SCREW
10	304213	1/4"-20 X 1" HH C/S S.S. BOLT
2	305881MJ	F/F ST BASE MNT MOCHA JAVA

NO.	REVISION	DATE
1		



PAGE 1 OF 2

THIS DRAWING AND THE ATTACHED DRAWINGS (AND THE DATA SHOWN THERON) IS CONFIDENTIAL AND PROPRIETARY AND SHALL NOT BE USED, DISCLOSED TO OTHERS, REPRODUCED FOR ANY PURPOSE EXCEPT FOR QUOTATION TO OR ORDER BY MOELLER MARINE PRODUCTS, INC. AND/OR IT'S SUBSIDIARIES WITHOUT THEIR WRITTEN CONSENT TO THE USE OF SUCH DRAWINGS AND/OR DATA.



DESCRIPTION	SM 50QT CUST S/B CLR/LW/TAN		
PART #	ST3001	COLOR	TAN
MATERIAL	LINEAR POLYETHYLENE		
TOLERANCES	±1.5% UNLESS OTHERWISE NOTED		
DRAWN BY	AMC	DATE	8/15/13

