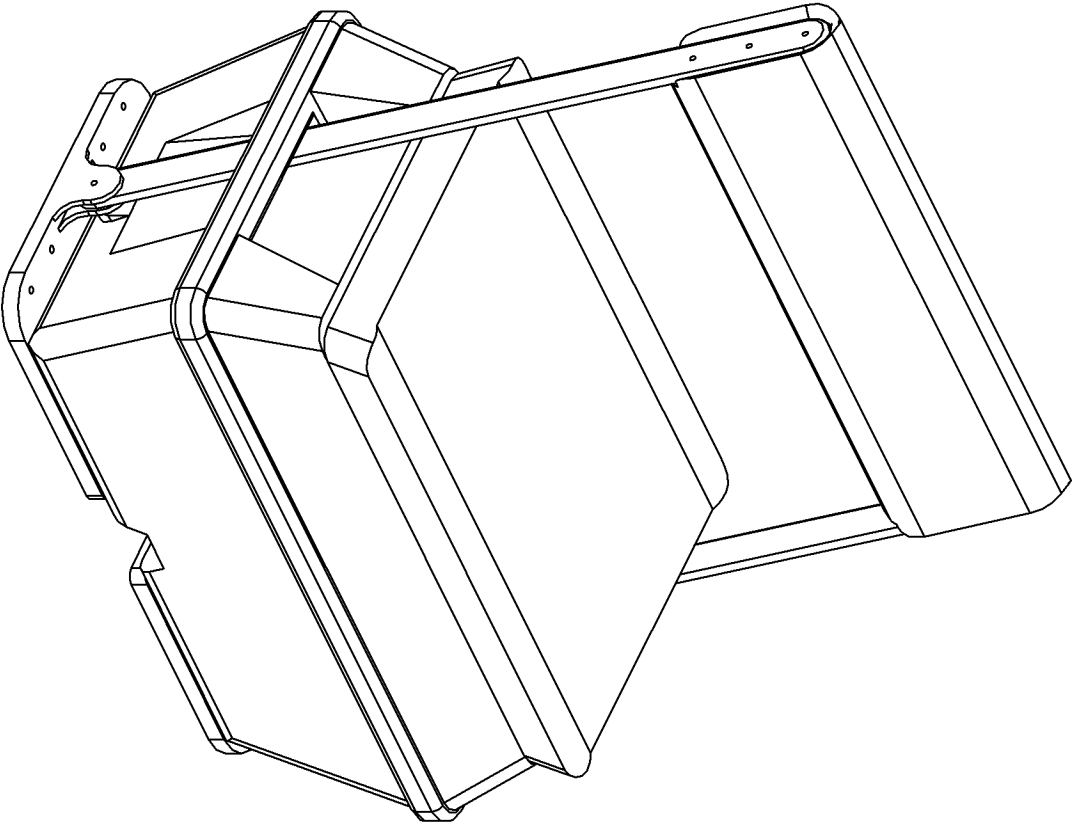
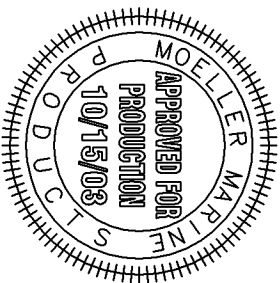


BILL of MATERIALS

Qty.	PART #	DESCRIPTION
1	LW-866	SMALL COOLER BASE
2	000261	33.5" X 2" X 0.312" ALUM. BAR
2	000271	2 1/2" 3" S.S. BUTT HINGE
1	002033	FLIP/FLOP SEAT BACK W/ WHITE UPH.
1	002034	FLIP/FLOP SEAT BOTTOM W/ WHITE UPH.
1	090801-00	COOLER PLUG
10	164041	5/16" FLAT WASHERS
2	304210	1/4-20 X 5/16 X 3/4" SHDR BOLT
8	304211	1/4-20 X 1/2" PH PN S.S. SCREW
6	304212	1/4-20 X 3/4" PH OV S.S. SCREW
10	304213	1/4-20 X 1" HH C/S S.S. BOLT
2	305881	FLIP/FLOP ST. BASE MOUNT (WHITE)



NO.	REVISION	DATE



THIS DRAWING AND THE ATTACHED DRAWINGS (AND THE DATA SHOWN THEREON) IS CONFIDENTIAL AND PROPRIETARY AND SHALL NOT BE USED, DISCLOSED TO OTHERS, REPRODUCED FOR ANY PURPOSE EXCEPT FOR QUOTATION TO OR ORDER BY MOELLER MARINE PRODUCTS, INC. AND/OR ITS SUBSIDIARIES WITHOUT THEIR WRITTEN CONSENT TO THE USE OF SUCH DRAWINGS AND/OR DATA.

DESCRIPTION	SM WHITE UPH PERM MT F/F COOLER
PART #	ST3000
MATERIAL	LINEAR POLYETHYLENE
TOLERANCES	±1.5% UNLESS OTHERWISE NOTED
DRAWN BY	MOELLER ENGINEERING
DATE	12/19/02