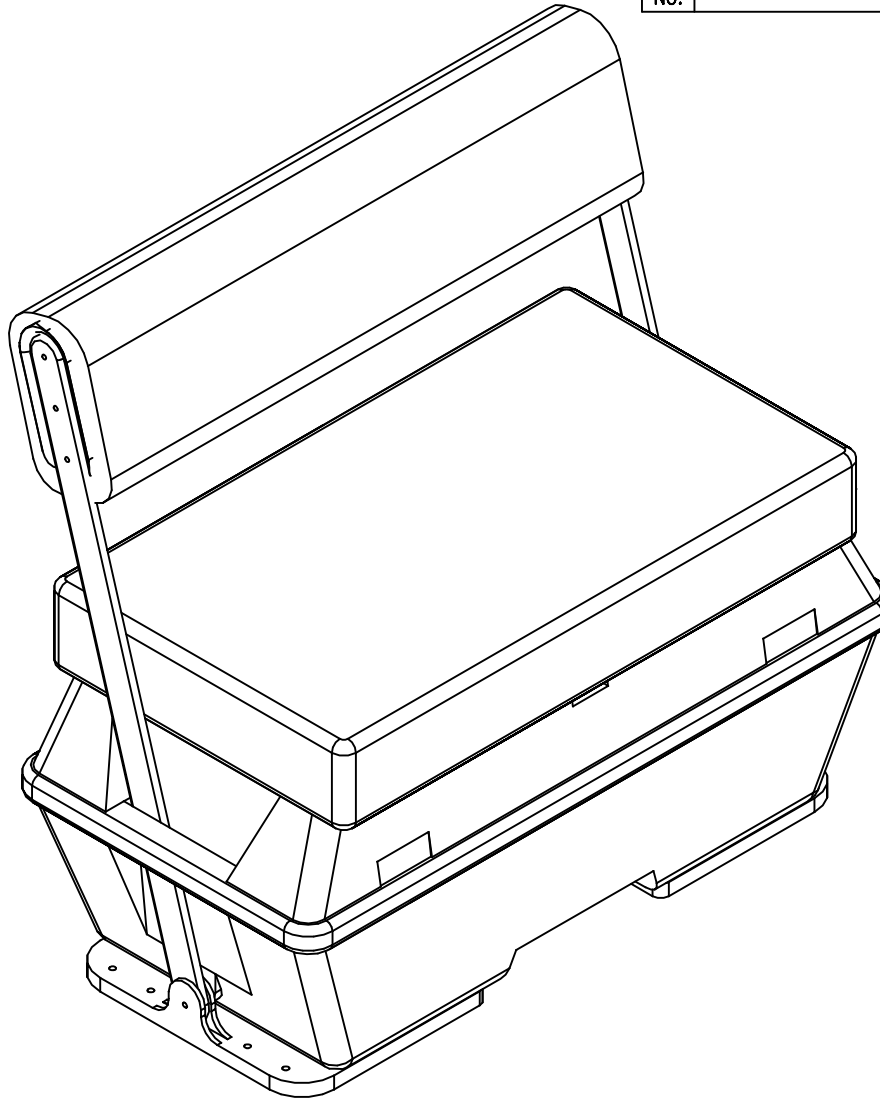


BILL of MATERIALS

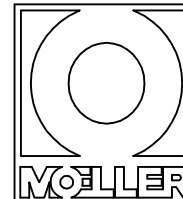
Qty.	PART #	DESCRIPTION
6	A001535	BLK. 1/4-20X3/4 SS OVPHMS
2	A001536	BLK. 1/4X20X5/16X3/4 SHD. BOLT
1	STA000194	LG FF COOLER BACK W/CAMO UPH
1	STA000195	LG FF BTM W/CAMO UPH
1	LW-8610D	SM COOLER BASE - OD GREEN
2	000261-BLK	33.5"X 2"X.312 ALUM BAR BLK
2	000271	2.5" X 3" S.S BUTT HINGE
1	090801-00	AIR CHAM. PLUG 5/8"
10	164041	5/16"ID FLAT WASHER S.S
1	200216	BOAT SEAT COOLER CARTON
8	304211	1/4"-20 X 1/2" PH PN S.S. SCREW
10	304213	1/4"-20 X 1" HH C/S S.S. BOLT
2	305881-BLK	F/F ST BASE MNT BLACK

NO.	REVISION	DATE
-----	----------	------



PAGE 1 OF 2

THIS DRAWING AND THE ATTACHED DRAWINGS (AND THE DATA SHOWN THERON) IS CONFIDENTIAL AND PROPRIETARY AND SHALL NOT BE USED, DISCLOSED TO OTHERS, REPRODUCED FOR ANY PURPOSE EXCEPT FOR QUOTATION TO OR ORDER BY MOELLER MARINE PRODUCTS, INC. AND/OR IT'S SUBSIDIARIES WITHOUT THEIR WRITTEN CONSENT TO THE USE OF SUCH DRAWINGS AND/OR DATA.



DESCRIPTION	72QT SWING BACK CLR/GREEN CAMO		
PART #	ST2202P	COLOR	GREEN
MATERIAL	LINEAR POLYETHYLENE		
TOLERANCES	±1.5% UNLESS OTHERWISE NOTED		
		DATE	8/15/13
DRAWN BY	AMC		

