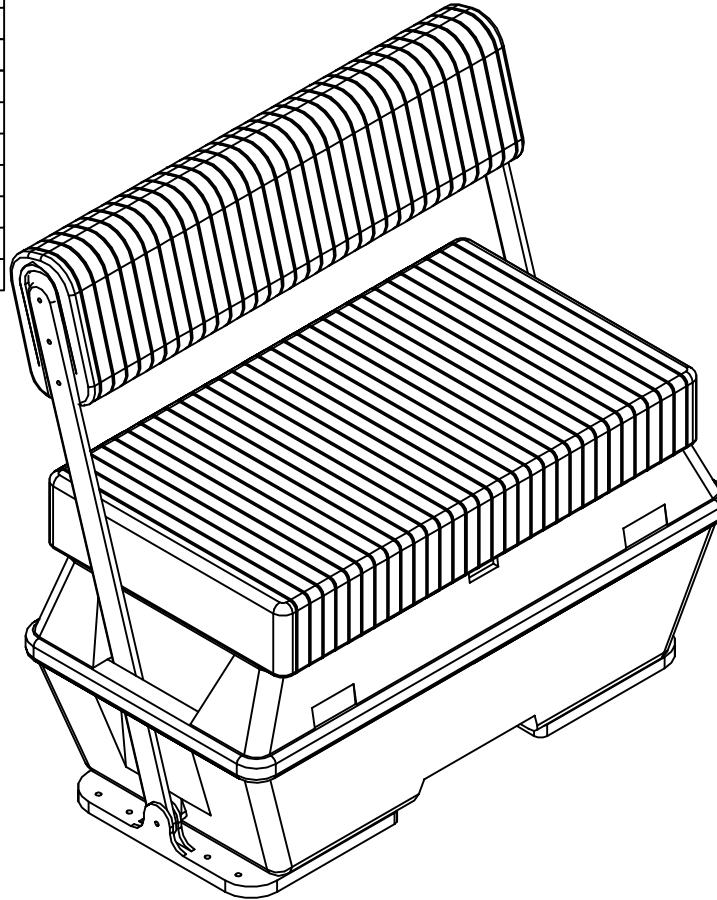


BILL of MATERIALS

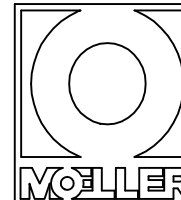
Qty.	PART #	DESCRIPTION
1	LW-861AW	COOLER BASE
2	000261	33.5" X 2" X 0.312" ALUM. BAR
2	000271	2 1/2" X 3" S.S. BUTT HINGE
1	090801-00	COOLER PLUG
10	164041	5/16" FLAT WASHERS
2	304210	1/4-20 X 5/16 X 3/4" SHDR BOLT
8	304211	1/4-20 X 1/2" PH PN S.S SCREW
6	304212	1/4-20 X 3M/4" PH OV S.S. SCREW
10	304213	1/4-20 X 1" HH C/S S.S. BOLT
2	305881	INJECTION MOLDED PERMANENT MOUNTS
1	STA000166	ROTO-MOLDED F/F SEAT BACK - UPHOLSTERED
1	STA000170	ROTO-MOLDED F/F SEAT BOTTOM - UPHOLSTERED

NO.	REVISION	DATE
1	ADDED UPHOLSTERY TO BOTTOM & BACK	8/3/11
2	REPLACE INJECTION BACK AND BOTTOM W/ ROTO	12/11/12



PAGE 1 OF 2

THIS DRAWING AND THE ATTACHED DRAWINGS (AND THE DATA SHOWN THERON) IS CONFIDENTIAL AND PROPRIETARY AND SHALL NOT BE USED, DISCLOSED TO OTHERS, REPRODUCED FOR ANY PURPOSE EXCEPT FOR QUOTATION TO OR ORDER BY MOELLER MARINE PRODUCTS, INC. AND/OR IT'S SUBSIDIARIES WITHOUT THEIR WRITTEN CONSENT TO THE USE OF SUCH DRAWINGS AND/OR DATA.



DESCRIPTION	LARGE F/F COOLER W/ FOAM & UPH / WHITE		
PART #	ST2200P	COLOR	WHITE
MATERIAL	LINEAR POLYETHYLENE		
TOLERANCES	±1.5% UNLESS OTHERWISE NOTED		
DRAWN BY	LGB	DATE	12/11/12

