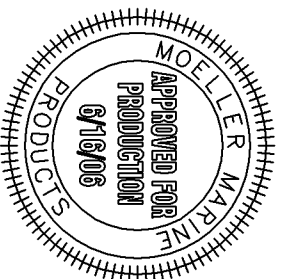
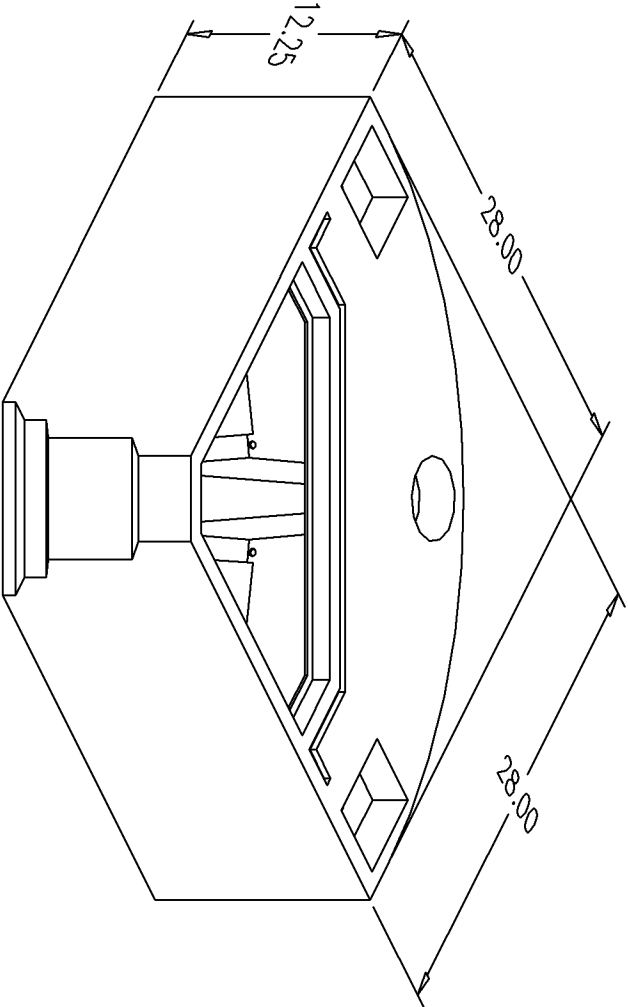


BILL of MATERIALS

Qty.	DESCRIPTION
3	Ø0.75" DRILLED HOLES
5	Ø0.38" DRILLED HOLES
1	CUTOUT
	OVERALL HEIGHT 12.25"

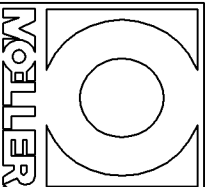
NO.	REVISION	DATE



NOTE: ALL EDGES R0.38
UNLESS OTHERWISE NOTED

PAGE 1 OF 4

THIS DRAWING AND THE ATTACHED DRAWINGS (AND THE DATA SHOWN THEREON) IS CONFIDENTIAL AND PROPRIETARY AND SHALL NOT BE USED, DISCLOSED TO OTHERS, REPRODUCED FOR ANY PURPOSE EXCEPT FOR QUOTATION TO OR ORDER BY MOELLER MARINE PRODUCTS, INC. AND/OR ITS SUBSIDIARIES WITHOUT THEIR WRITTEN CONSENT TO THE USE OF SUCH DRAWINGS AND/OR DATA.



DESCRIPTION	28" RADI CORNER BASE		
PART #	ST1745	COLOR	NATURAL
MATERIAL	LINEAR POLYETHYLENE		
TOLERANCES	±1.5% UNLESS OTHERWISE NOTED		
WALL THK.	0.150 NOMINAL	DATE	6/16/06
DRAWN BY	MOELLER ENGINEERING		

