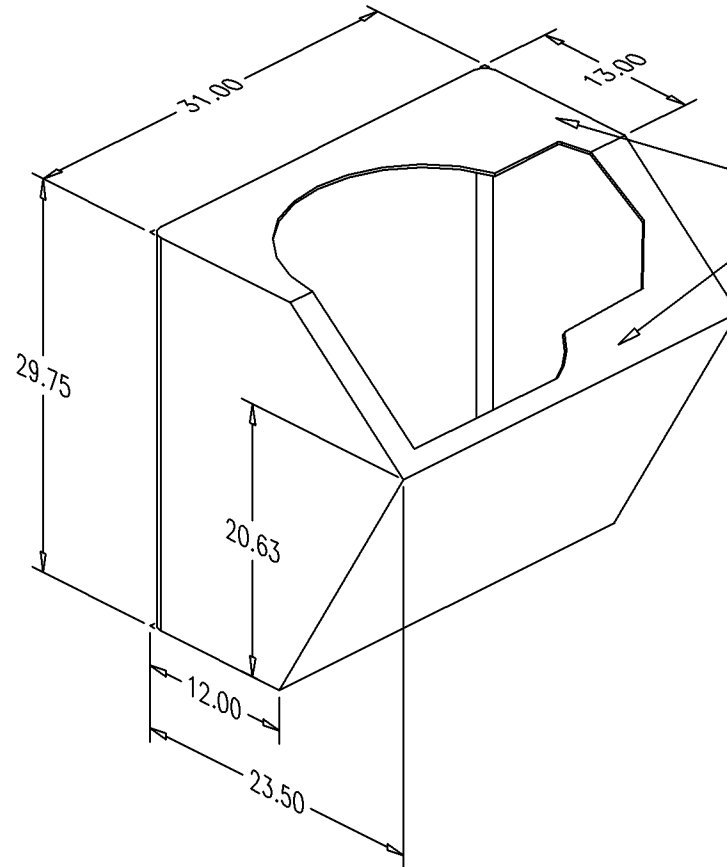


BILL of MATERIALS

Qty.	DESCRIPTION
	OVERALL HEIGHT 29.75"

NO.	REVISION	DATE
1	CHANGED COLOR FROM NATURAL TO OFF WHITE	9/2/10



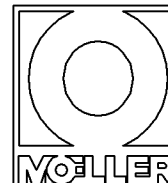
TRIM NOTE:
 USE TWO VISE GRIPS,
 C-CLAMPS & ROUTER
 NOSE "E" TO TRIM
 W/ FIXTURE PROVIDED.



NOTE: ALL EDGES R0.38
 UNLESS OTHERWISE NOTED

PAGE 1 OF 3

THIS DRAWING AND THE ATTACHED DRAWINGS (AND THE DATA SHOWN THERON) IS CONFIDENTIAL AND PROPRIETARY AND SHALL NOT BE USED, DISCLOSED TO OTHERS, REPRODUCED FOR ANY PURPOSE EXCEPT FOR QUOTATION TO OR ORDER BY MOELLER MARINE PRODUCTS, INC. AND/OR IT'S SUBSIDIARIES WITHOUT THEIR WRITTEN CONSENT TO THE USE OF SUCH DRAWINGS AND/OR DATA.



DESCRIPTION	CONSOLE		
PART #	ST1584	COLOR	OFF WHITE
MATERIAL	LINEAR POLYETHYLENE		
TOLERANCES	±1.5% UNLESS OTHERWISE NOTED		
WALL THK.	0.225" NOMINAL	DATE	9/2/10
DRAWN BY	MOELLER ENGINEERING		

