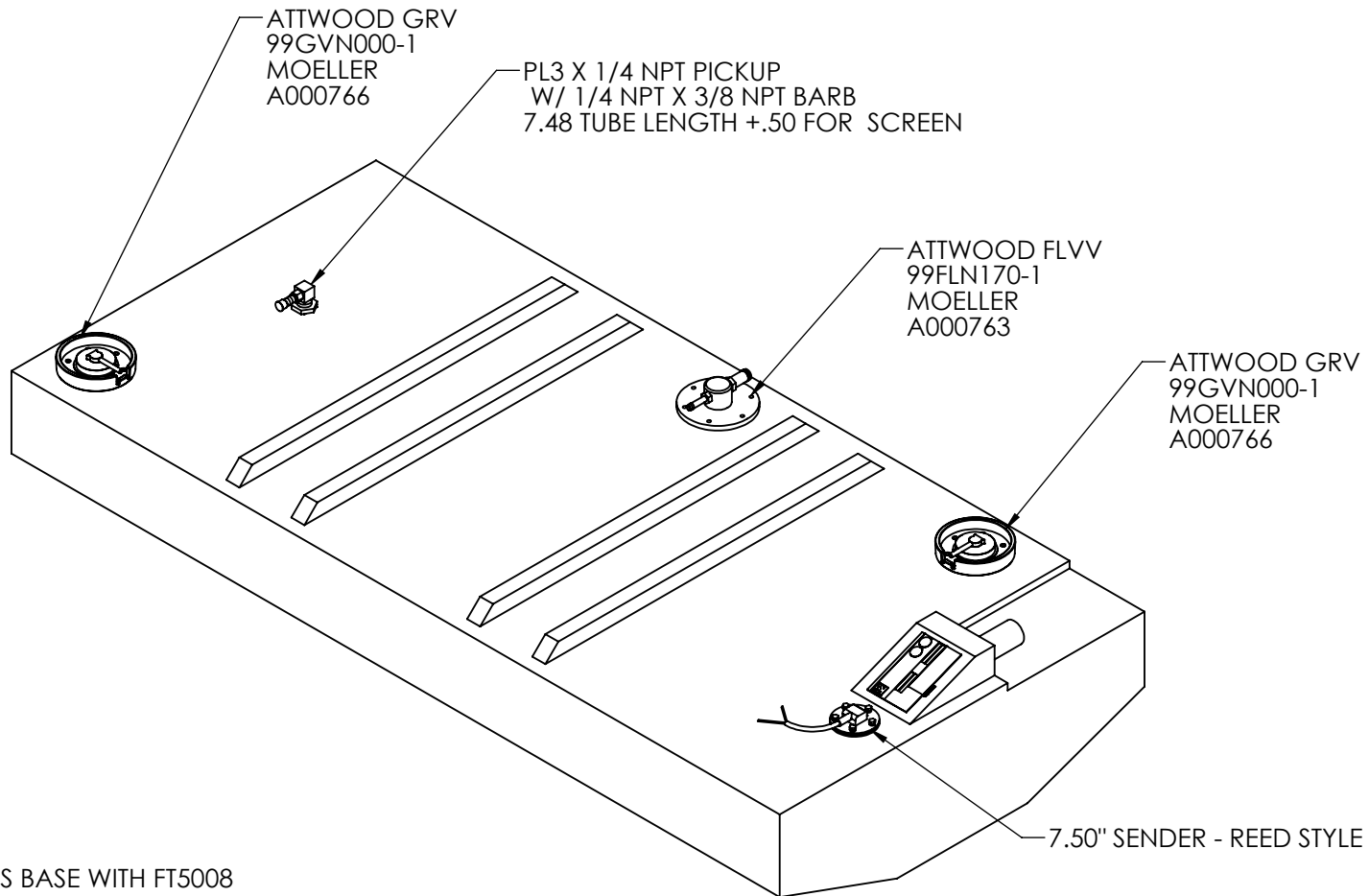


FUEL TANK INSTALLATION MUST ALLOW 3% GROWTH IN ALL DIRECTIONS. ANY DESIGNS NOT COMPLIANT WITH ABYC STANDARDS OR ARE CONSIDERED "GREY AREA" UNDER THESE STANDARDS WILL BE NOTED HERE IN. THIS PRINT AND ANY ATTACHED ARE PREPARED FOR CUSTOMER APPROVAL, PERFORMING THIS ACTION RELIEVES MOELLER MARINE PRODUCTS OF LIABILITY ASSOCIATED WITH TANK DESIGN.

NO.	REVISION	DATE	DRAFTER
1	-		



NOTE: SHARES BASE WITH FT5008

PAGE 1 OF 4

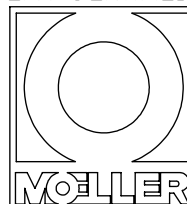
© 2012 MOELLER MARINE PRODUCTS
ALL RIGHT RESERVED

NOTE: ALL EDGES R0.38
UNLESS OTHERWISE NOTED
330 SHOT BLAST SURFACE TEXTURE
1" DRAFT ON ALL EXTERIOR SURFACES AS NEEDED

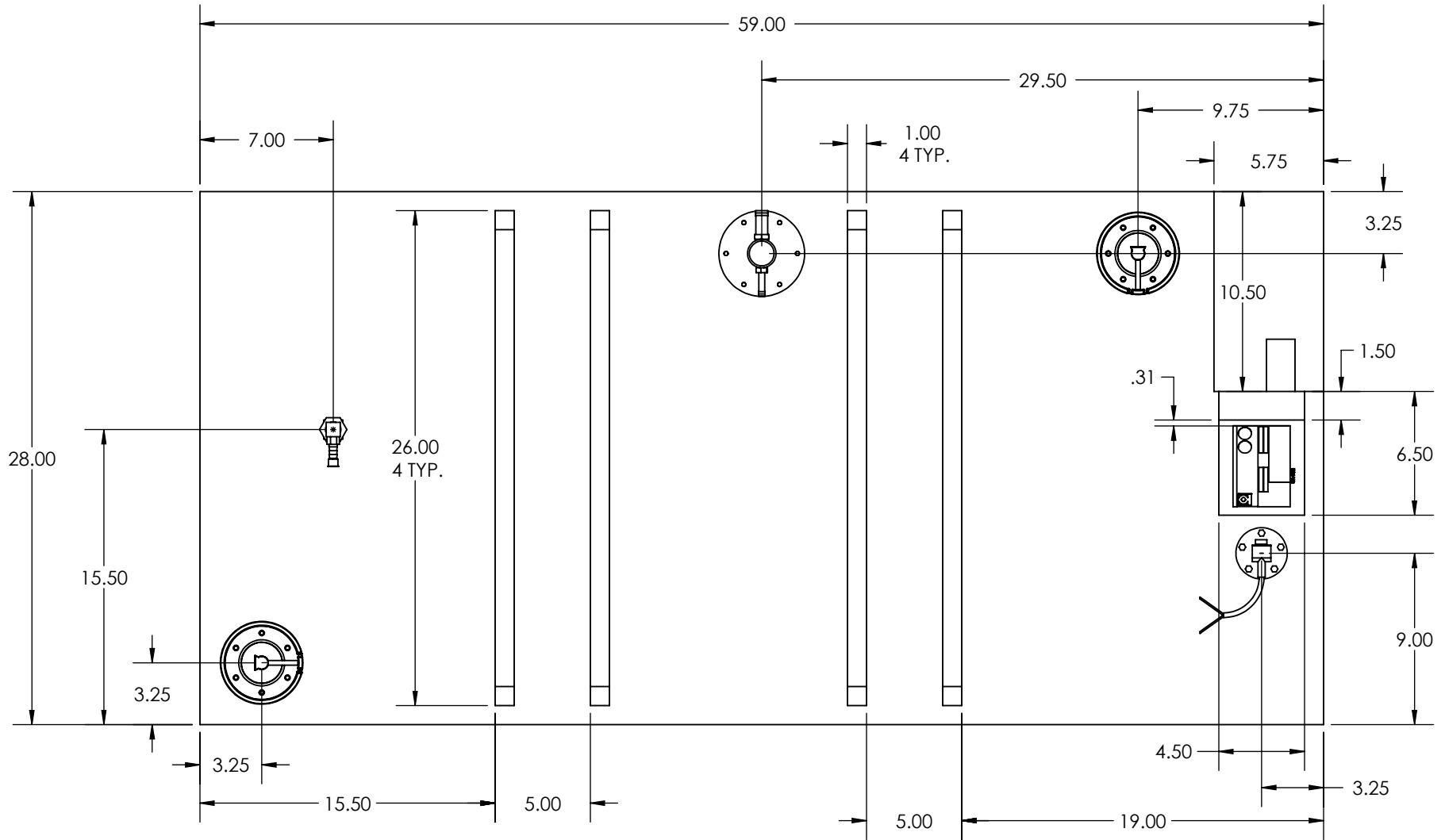
THIS DRAWING AND THE ATTACHED DRAWINGS (AND THE DATA SHOWN THERON) IS CONFIDENTIAL AND PROPRIETARY AND SHALL NOT BE USED, DISCLOSED TO OTHERS, REPRODUCED FOR ANY PURPOSE EXCEPT FOR QUOTATION TO OR ORDER BY MOELLER MARINE PRODUCTS, INC. AND/OR IT'S SUBSIDIARIES WITHOUT THEIR WRITTEN CONSENT TO THE USE OF SUCH DRAWINGS AND/OR DATA.

CUSTOMER PART # TBD
EPA CERTIFIED

CUSTOMER APPROVAL	
NAME:	
DATE:	



DESCRIPTION	≤50 GALLON FUEL TANK (189 L)		
PART #	FTA001105BR	COLOR	NATURAL
MATERIAL	CROSSLINK POLYETHYLENE W/BARRIER		
TOLERANCES	±1.5 % UNLESS OTHERWISE NOTED		
WALL THK.	0.220" NOMINAL	DATE	1/11/12
DRAWN BY	AMC		



NOTE: DOGHOUSE IS 6.50 LONG, 4.50 WIDE & 1.75 TALL.
 RIBS ARE 1.00 WIDE, 1.00 TALL, 1.00 FROM EDGE OF TANK & BEVELLED 45° AT ENDS.
 Ø1.50 X 2.75 FILL.

