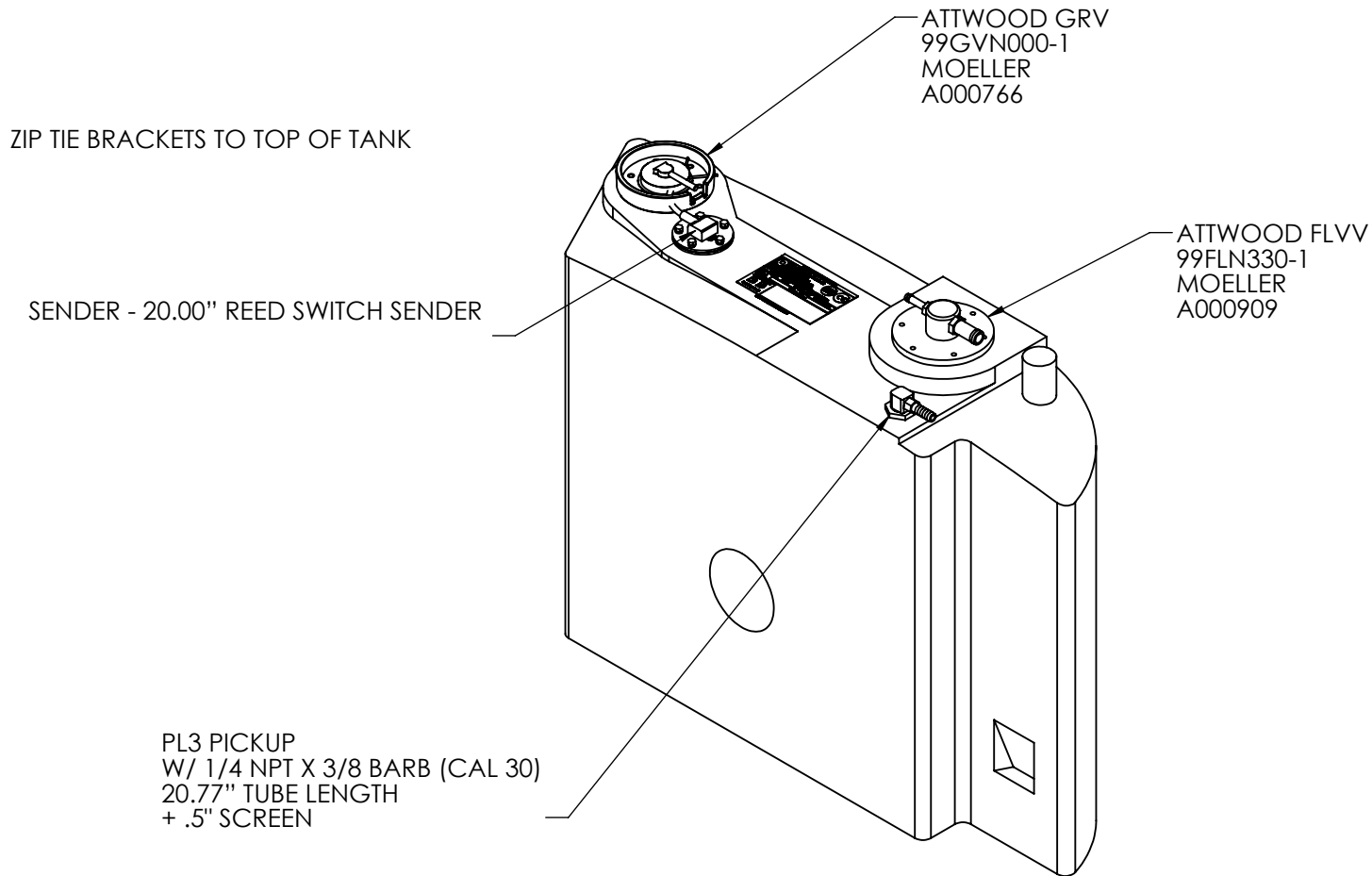


FUEL TANK INSTALLATION MUST ALLOW 3% GROWTH IN ALL DIRECTIONS. ANY DESIGNS NOT COMPLIANT WITH ABYC STANDARDS OR ARE CONSIDERED "GREY AREA" UNDER THESE STANDARDS WILL BE NOTED HERE IN. THIS PRINT AND ANY ATTACHED ARE PREPARED FOR CUSTOMER APPROVAL, PERFORMING THIS ACTION RELIEVES MOELLER MARINE PRODUCTS OF LIABILITY ASSOCIATED WITH TANK DESIGN.

NO.	REVISION	DATE	DRAFTER
1	-		



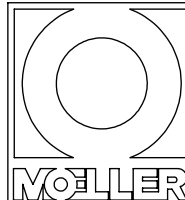
PAGE 1 OF 3

© 2012 MOELLER MARINE PRODUCTS  
ALL RIGHT RESERVED

NOTE: ALL EDGES R0.38  
UNLESS OTHERWISE NOTED  
330 SHOT BLAST SURFACE TEXTURE  
1° DRAFT ON ALL EXTERIOR SURFACES AS NEEDED

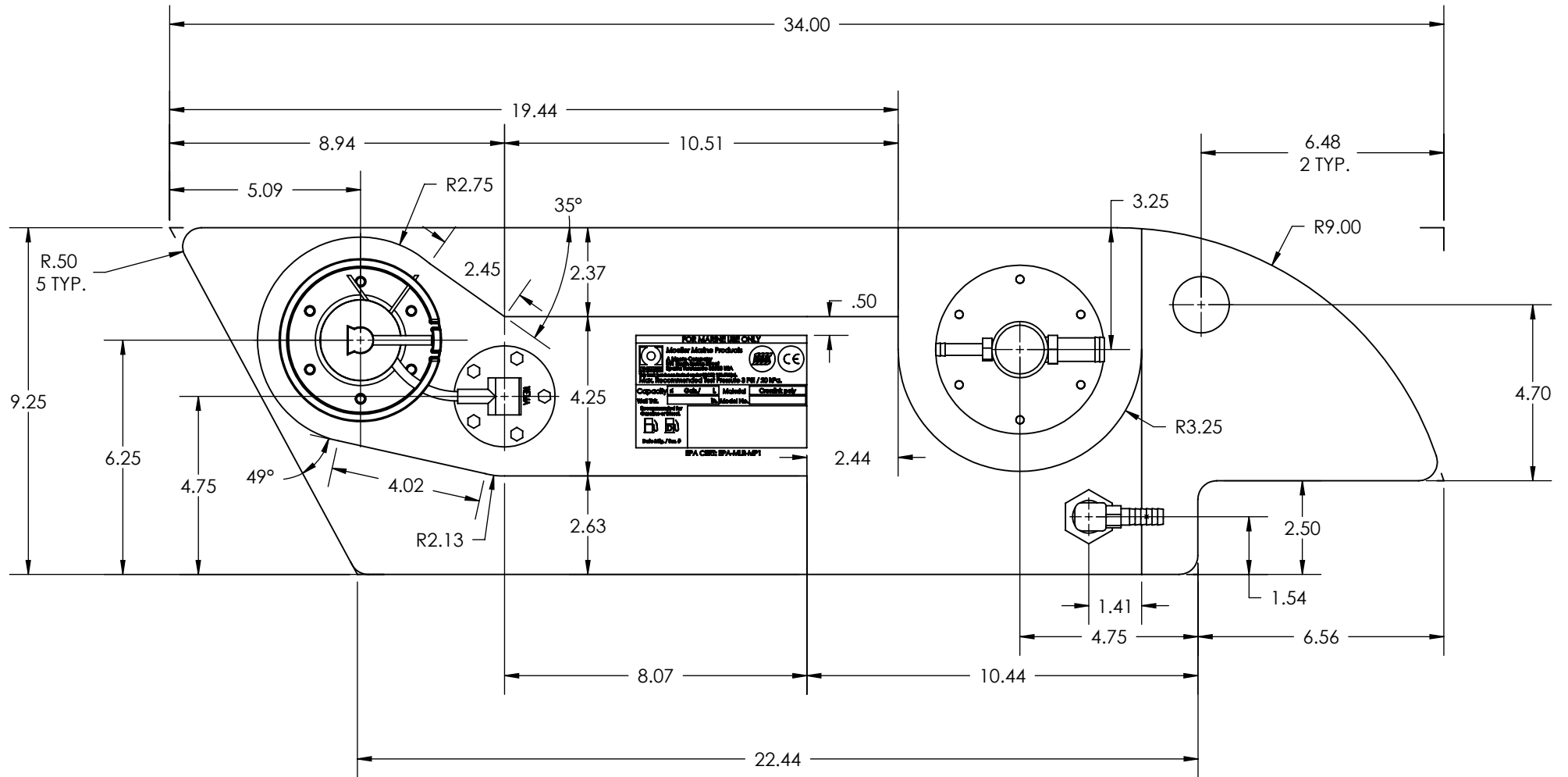
THIS DRAWING AND THE ATTACHED DRAWINGS (AND THE DATA SHOWN THERON) IS CONFIDENTIAL AND PROPRIETARY AND SHALL NOT BE USED, DISCLOSED TO OTHERS, REPRODUCED FOR ANY PURPOSE EXCEPT FOR QUOTATION TO OR ORDER BY MOELLER MARINE PRODUCTS, INC. AND/OR IT'S SUBSIDIARIES WITHOUT THEIR WRITTEN CONSENT TO THE USE OF SUCH DRAWINGS AND/OR DATA.

MOELLER PART #  
EPA CERTIFIED



CUSTOMER APPROVAL	
NAME:	
DATE:	

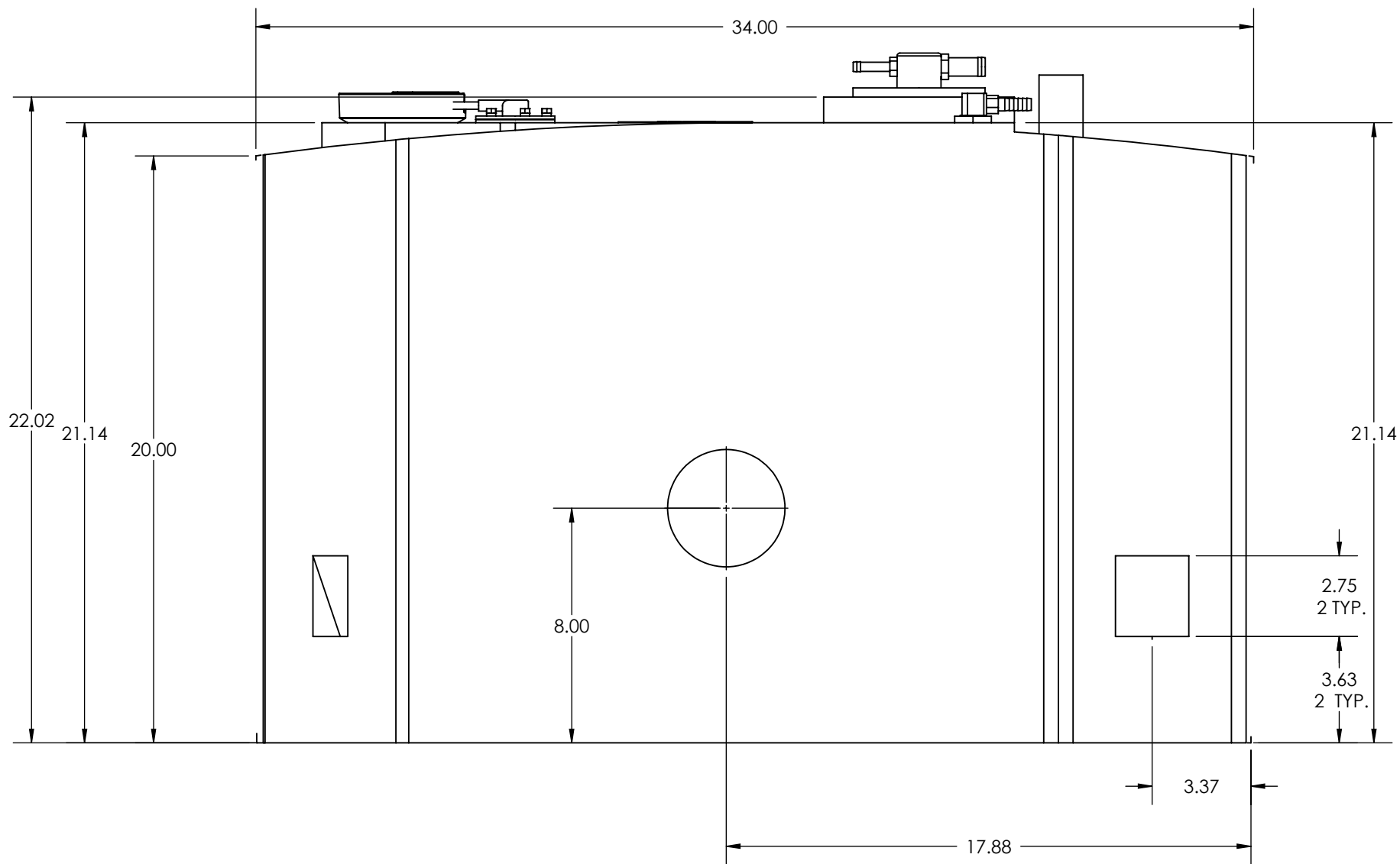
DESCRIPTION	≤21 GALLON FUEL TANK (79 L)		
PART #	FTA001092BR	COLOR	NATURAL
MATERIAL	CROSSLINK POLYETHYLENE W/BARRIER		
TOLERANCES	±1.5 % UNLESS OTHERWISE NOTED		
WALL THK.	0.200" NOMINAL	DATE	11/14/12
DRAWN BY	ATS		



TOP VIEW

FILL IS Ø1.50 X 2.00 LONG ON SHORT SIDE  
 VENT IS Ø.63 X 1.50 ON SHORT SIDE

FTA001092BR  
 PAGE 2



FRONT VIEW

CONE IS Ø5.00 AT BACK AND Ø4.00 AT FRONT