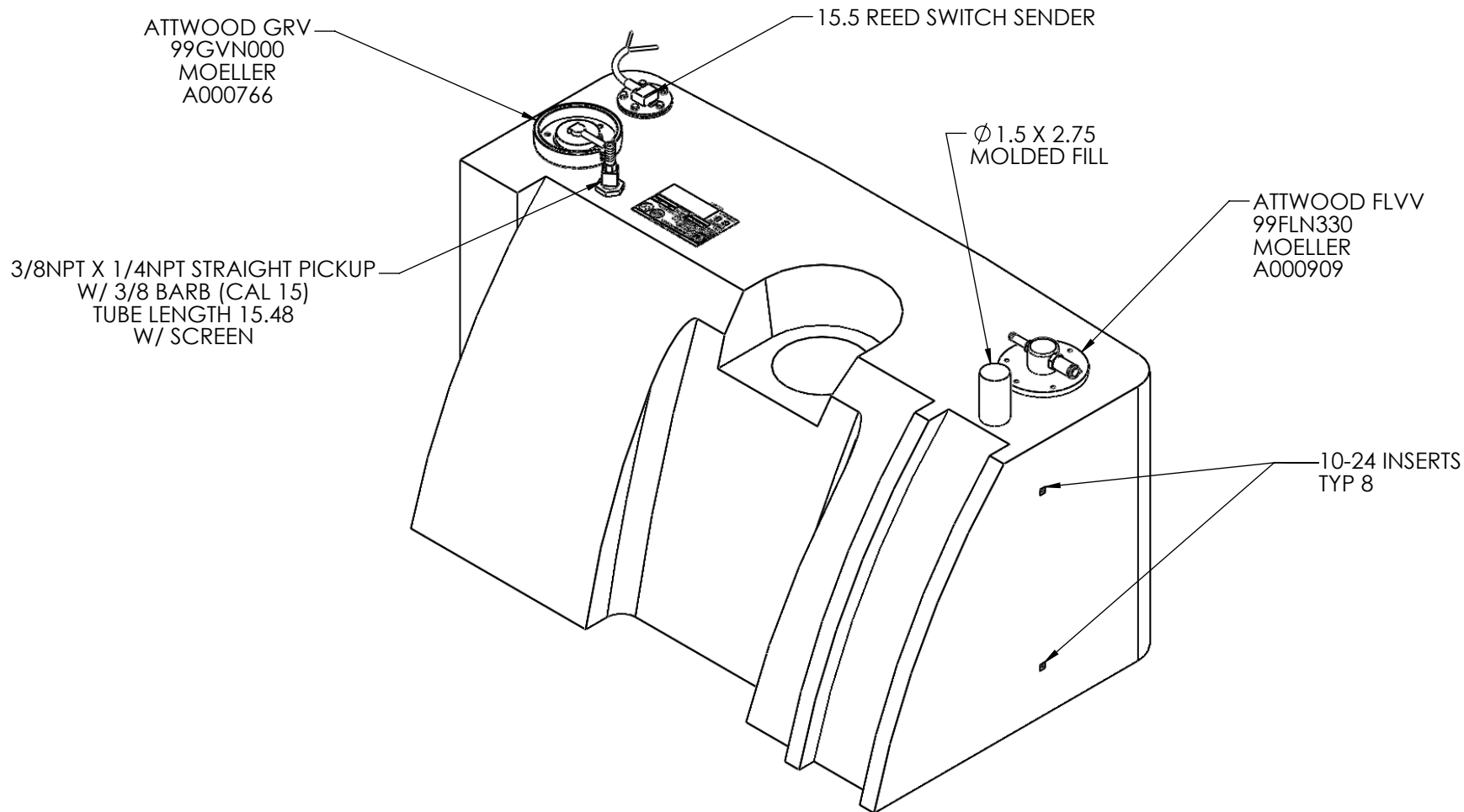


FUEL TANK INSTALLATION MUST ALLOW 3% GROWTH IN ALL DIRECTIONS. ANY DESIGNS NOT COMPLIANT WITH ABYC STANDARDS OR ARE CONSIDERED "GREY AREA" UNDER THESE STANDARDS WILL BE NOTED HERE IN. THIS PRINT AND ANY ATTACHED ARE PREPARED FOR CUSTOMER APPROVAL, PERFORMING THIS ACTION RELIEVES MOELLER MARINE PRODUCTS OF LIABILITY ASSOCIATED WITH TANK DESIGN.

NO.	REVISION	DATE	DRAFTER
1	-		



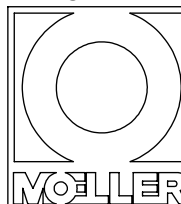
PAGE 1 OF 6

© 2013 MOELLER MARINE PRODUCTS
ALL RIGHT RESERVED

NOTE: ALL EDGES R0.38
UNLESS OTHERWISE NOTED
330 SHOT BLAST SURFACE TEXTURE
1° DRAFT ON ALL EXTERIOR SURFACES AS NEEDED

CUSTOMER APPROVAL	
NAME:	<i>Cory Nash</i>
DATE:	1/25/13

EPA CERTIFIED



DESCRIPTION	≤35 GALLON FUEL TANK (132 L)		
PART #	FTA001089BR	COLOR	BLACK
MATERIAL	CROSSLINK POLYETHYLENE W/BARRIER		
TOLERANCES	±1.5 % UNLESS OTHERWISE NOTED		
WALL THK.	0.220" NOMINAL	DATE	1/23/13
DRAWN BY	ATS		

THIS DRAWING AND THE ATTACHED DRAWINGS (AND THE DATA SHOWN THERON) IS CONFIDENTIAL AND PROPRIETARY AND SHALL NOT BE USED, DISCLOSED TO OTHERS, REPRODUCED FOR ANY PURPOSE EXCEPT FOR QUOTATION TO OR ORDER BY MOELLER MARINE PRODUCTS, INC. AND/OR IT'S SUBSIDIARIES WITHOUT THEIR WRITTEN CONSENT TO THE USE OF SUCH DRAWINGS AND/OR DATA.

