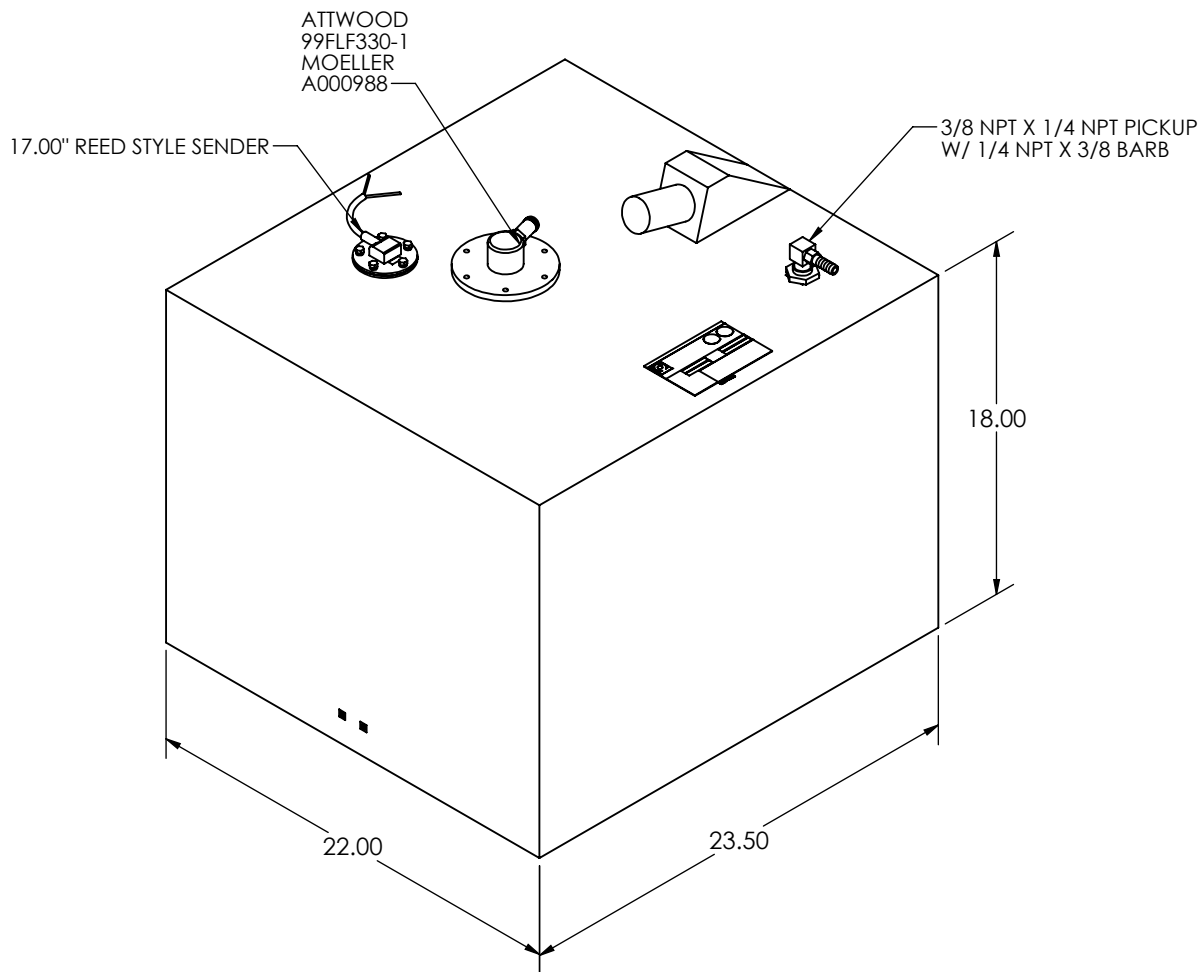


FUEL TANK INSTALLATION MUST ALLOW 3% GROWTH IN ALL DIRECTIONS. ANY DESIGNS NOT COMPLIANT WITH ABYC STANDARDS OR ARE CONSIDERED "GREY AREA" UNDER THESE STANDARDS WILL BE NOTED HERE IN. THIS PRINT AND ANY ATTACHED ARE PREPARED FOR CUSTOMER APPROVAL, PERFORMING THIS ACTION RELIEVES MOELLER MARINE PRODUCTS OF LIABILITY ASSOCIATED WITH TANK DESIGN.

NO.	REVISION	DATE	DRAFTER
1	-	-	-

NOTE: ZIP TIE BRACKETS TO TOP OF TANK

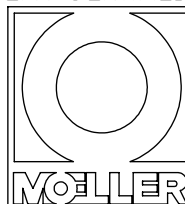


PAGE 1 OF 5

NOTE: ALL EDGES R0.38
UNLESS OTHERWISE NOTED
330 SHOT BLAST SURFACE TEXTURE
1° DRAFT ON ALL EXTERIOR SURFACES AS NEEDED

© 2012 MOELLER MARINE PRODUCTS
ALL RIGHT RESERVED

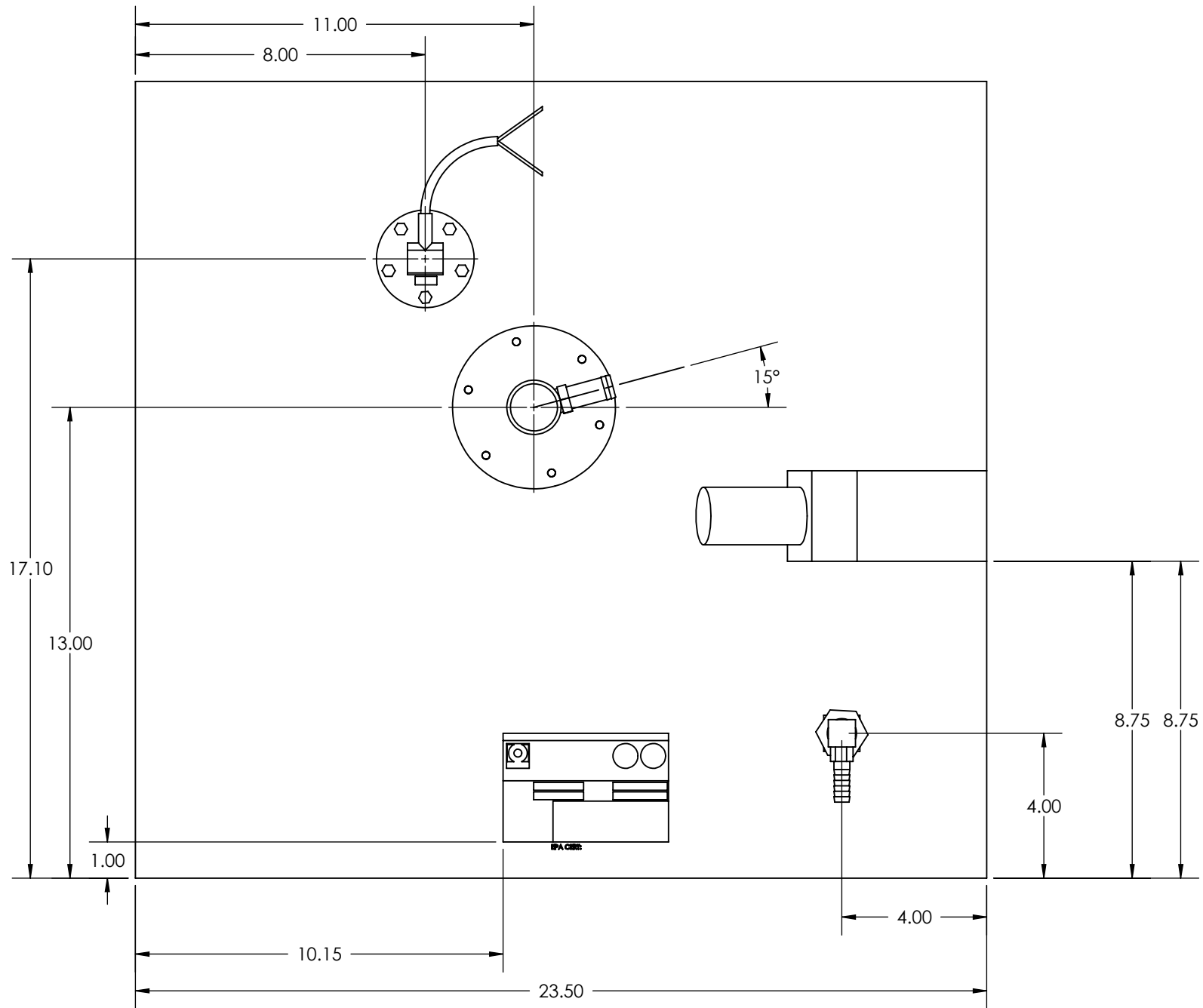
EPA CERTIFIED



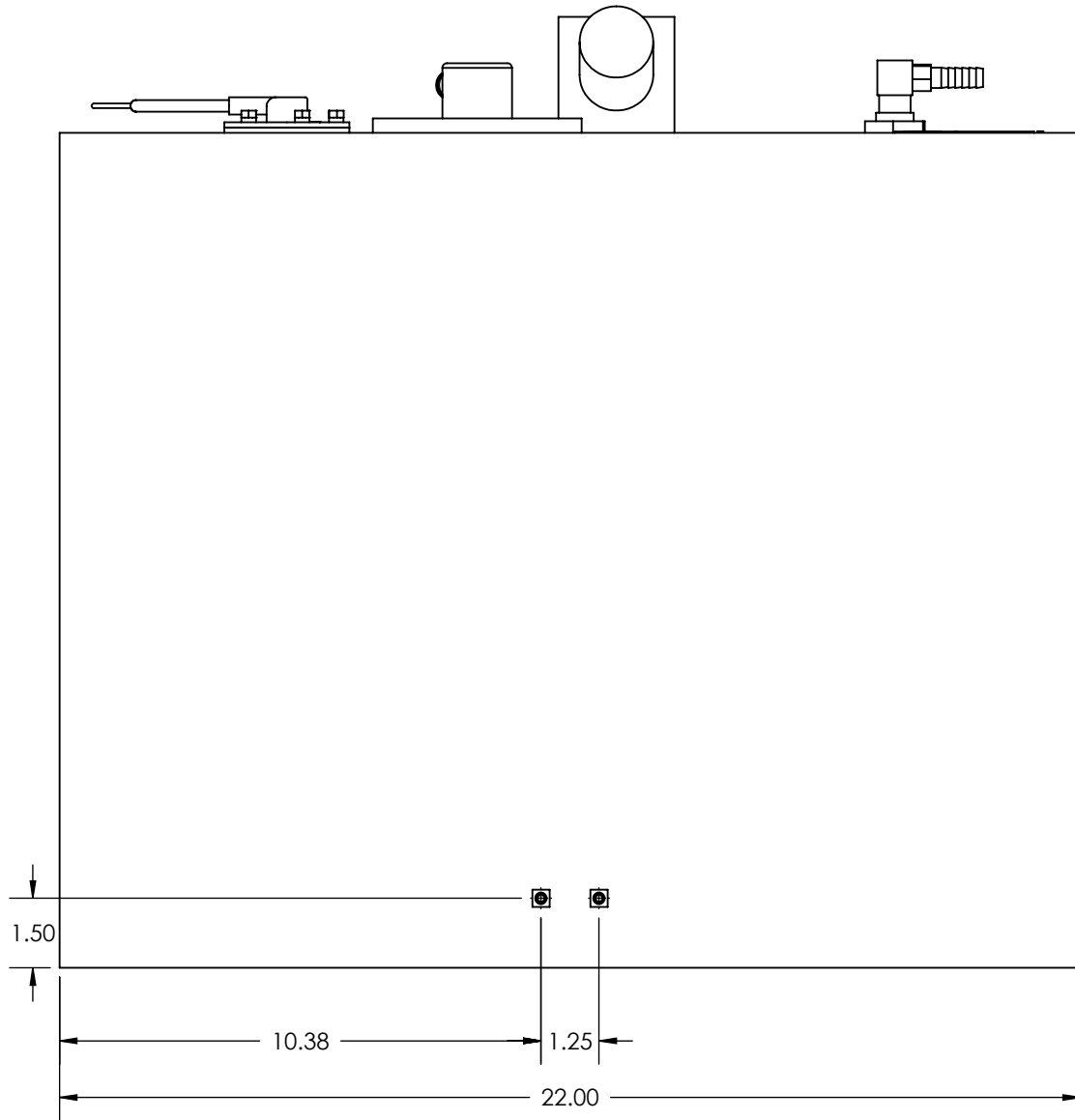
CUSTOMER APPROVAL
NAME:
DATE:

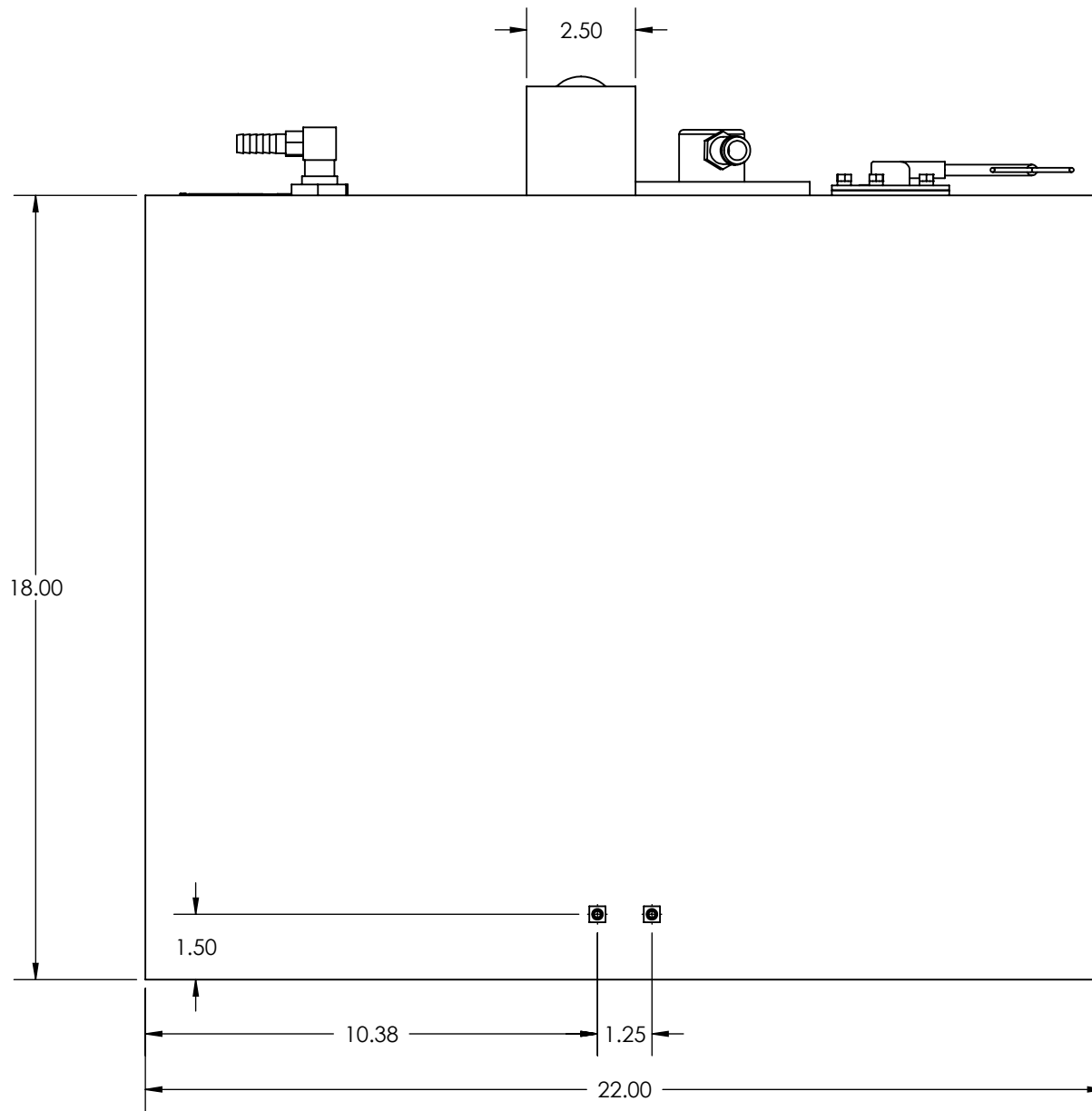
DESCRIPTION	≤37 GALLON FUEL TANK (140L)		
PART #	FTA000926BR	COLOR	NATURAL
MATERIAL	CROSSLINK POLYETHYLENE W/BARRIER		
TOLERANCES	±1.5 % UNLESS OTHERWISE NOTED		
WALL THK.	0.220" NOMINAL	DATE	11/30/12
DRAWN BY	ATS		

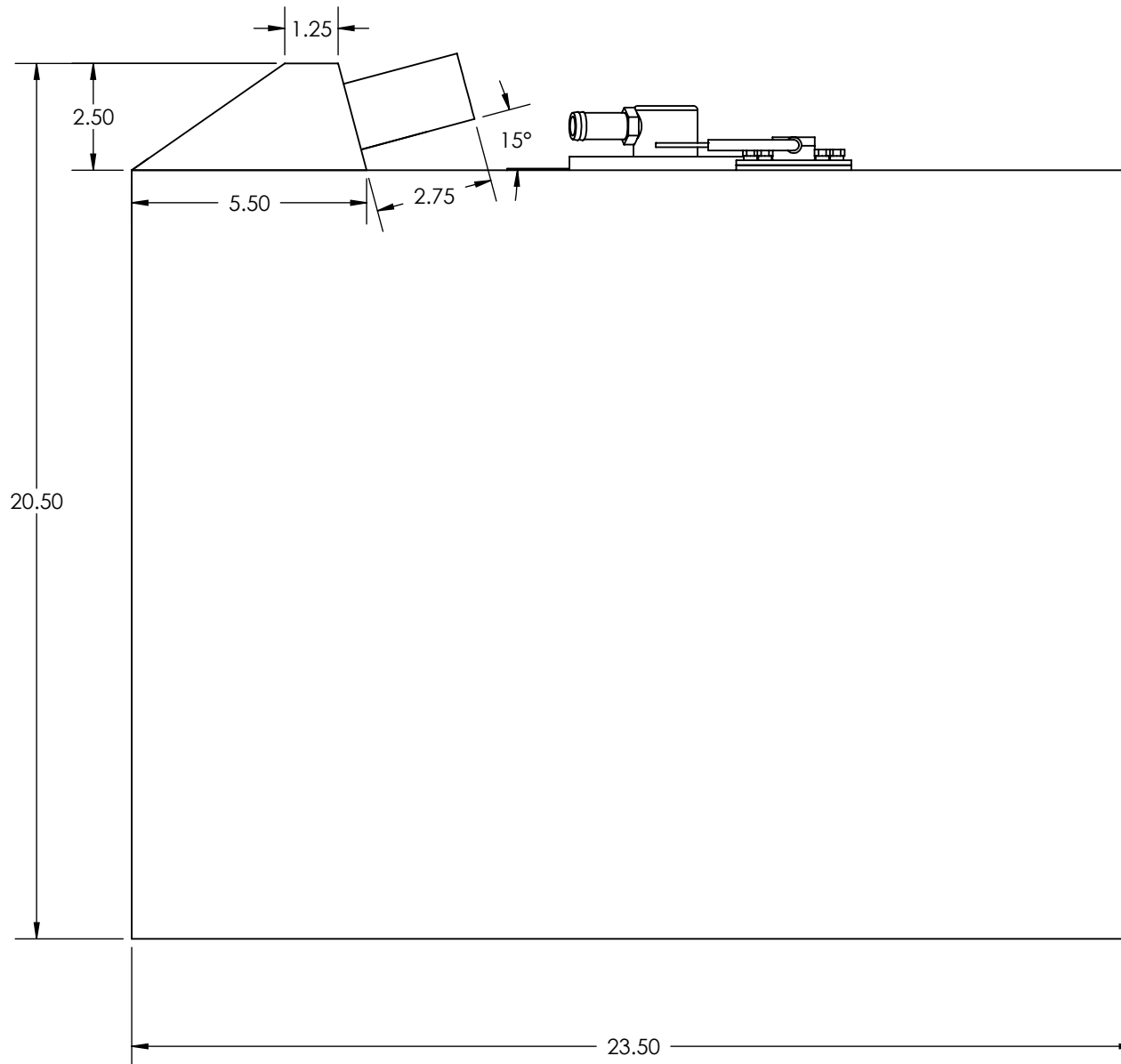
THIS DRAWING AND THE ATTACHED DRAWINGS (AND THE DATA SHOWN THERON) IS CONFIDENTIAL AND PROPRIETARY AND SHALL NOT BE USED, DISCLOSED TO OTHERS, REPRODUCED FOR ANY PURPOSE EXCEPT FOR QUOTATION TO OR ORDER BY MOELLER MARINE PRODUCTS, INC. AND/OR IT'S SUBSIDIARIES WITHOUT THEIR WRITTEN CONSENT TO THE USE OF SUCH DRAWINGS AND/OR DATA.



NOTE:
 FILL IS Ø1.50 X 2.75 LONG ON THE SHORT SIDE
 AND ANGLED 15° FROM HORIZONTAL.







NOTE:
 FILL IS Ø1.50 X 2.75 LONG
 AND ANGLED 15° FROM HORIZONTAL.