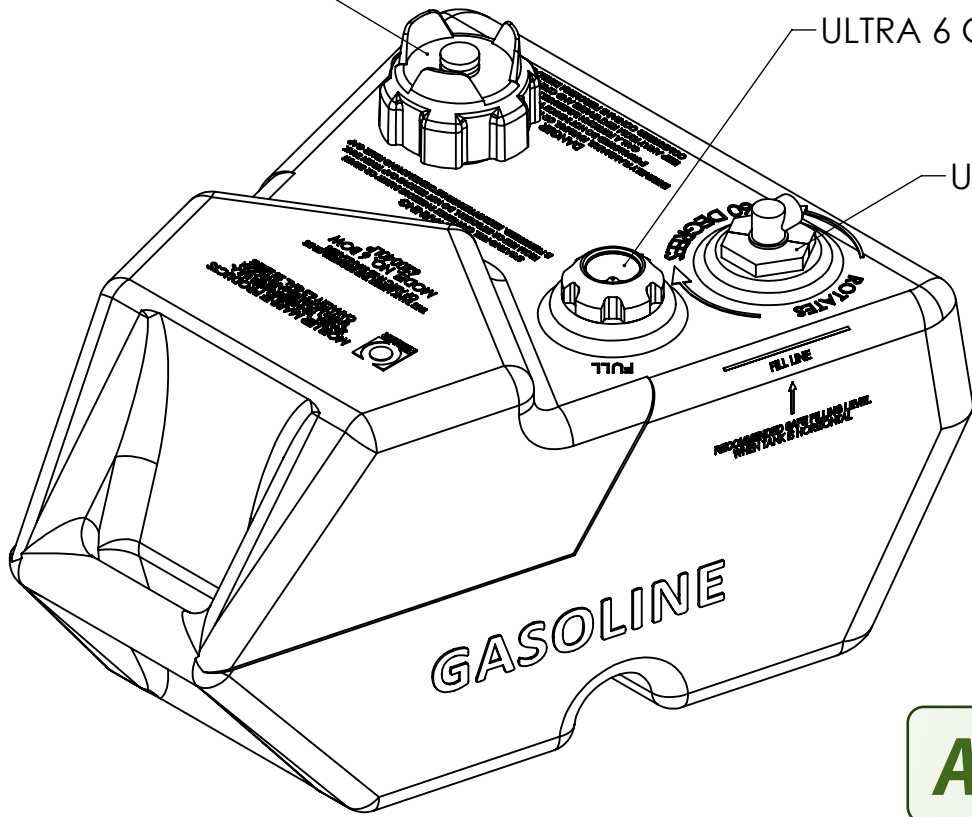


NO.	REVISION	DATE
1	CHANGED DRAWING TO SHOW OVERALL ASM. DIMENSIONS	7/14/11
2	REMOVED NMMA AND CE FROM MOLD - CFN	3-10-14

2 STAGE KELCH CAP
W/ ULTRA BOW 6 HAG TAG

ULTRA 6 GAUGE

ULTRA 9 BOW 6 SPLIT W/D



APPROVED

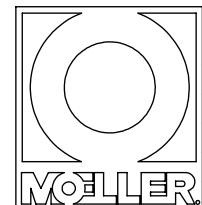
NOTE: COMPLIANT WITH ABYC H-25

CUSTOMER APPROVAL	
NAME:	
DATE:	

PAGE 1 OF 2
NOTE: ALL EDGES R0.38
UNLESS OTHERWISE NOTED

© 2010 MOELLER MARINE PRODUCTS
ALL RIGHT RESERVED

THIS DRAWING AND THE ATTACHED DRAWINGS (AND THE DATA SHOWN THERON) IS CONFIDENTIAL AND PROPRIETARY AND SHALL NOT BE USED, DISCLOSED TO OTHERS, REPRODUCED FOR ANY PURPOSE EXCEPT FOR QUOTATION TO OR ORDER BY MOELLER MARINE PRODUCTS, INC. AND/OR IT'S SUBSIDIARIES WITHOUT THEIR WRITTEN CONSENT TO THE USE OF SUCH DRAWINGS AND/OR DATA.



DESCRIPTION	6 GALLON FUEL TANK		
PART #	620040LP	COLOR	RED
MATERIAL	HYPERIOR AND HDPE		
TOLERANCES	±1.5% UNLESS OTHERWISE NOTED		
WALL THK.	0.065 MINIMUM	DATE	7/14/11
DRAWN BY	CFN		

