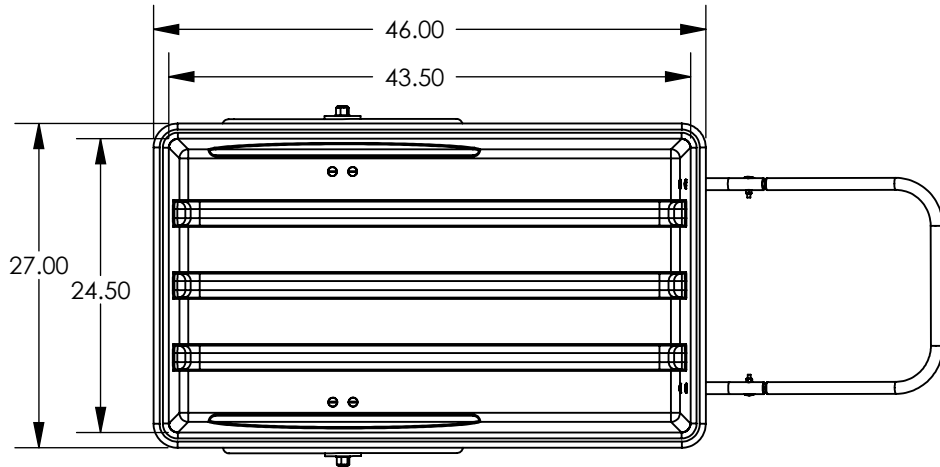


ITEM NO.	PART NUMBER	DESCRIPTION	QTY.
1	A001110	DOCK CART HARDWARE PACK	1
2	IDA000683	DOCK CART TUB	1
3	051010-10	31/32 DECK AND BAITWELL PLUG	1

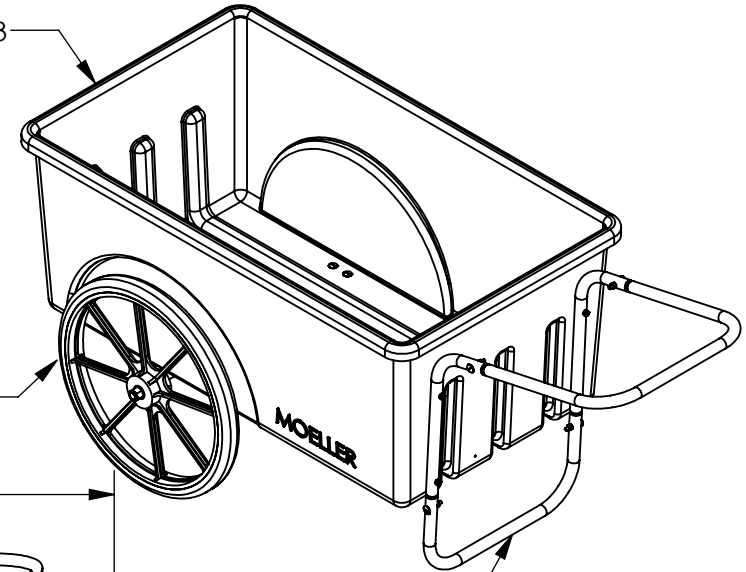


NO.	REVISION	DATE	DRAFTER
1	ADD PLUG TO BOM AND 1" HOLE TO PRINT	10/30/12	LGB

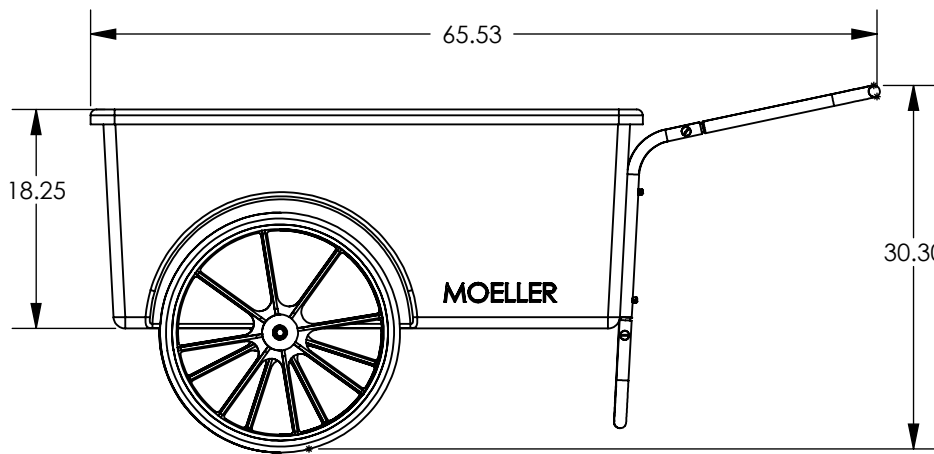


DOCK CART TUB
PART # IDA000683

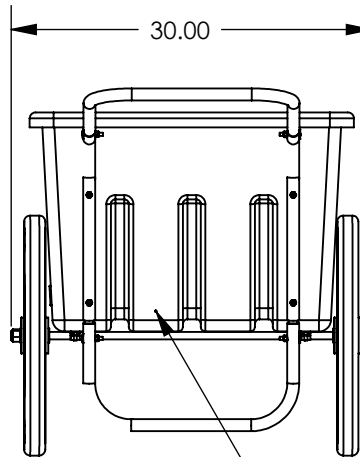
20" WHEELS
(NOT PRESSURIZED)



Ø1.00"
GALVANIZED HANDLE



30.30



DRILL Ø1.00 HOLE
FOR 31/32 PLUG

cory nash

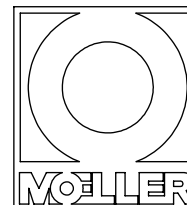
11/9/12

PAGE 1 OF 1

NOTE: ALL EDGES R0.38
UNLESS OTHERWISE NOTED
330 SHOT BLAST SURFACE TEXTURE
1° DRAFT ON ALL EXTERIOR SURFACES AS NEEDED

© 2012 MOELLER MARINE PRODUCTS
ALL RIGHT RESERVED

THIS DRAWING AND THE ATTACHED DRAWINGS (AND THE DATA SHOWN THERON) IS CONFIDENTIAL AND PROPRIETARY AND SHALL NOT BE USED, DISCLOSED TO OTHERS, REPRODUCED FOR ANY PURPOSE EXCEPT FOR QUOTATION TO OR ORDER BY MOELLER MARINE PRODUCTS, INC. AND/OR IT'S SUBSIDIARIES WITHOUT THEIR WRITTEN CONSENT TO THE USE OF SUCH DRAWINGS AND/OR DATA.



DESCRIPTION	DOCK CART (IDA000671)		
PART #	043130	COLOR	BLACK
MATERIAL	LINEAR POLYETHYLENE		
TOLERANCES	±1.5% UNLESS OTHERWISE NOTED		
WALL THK.	0.250" NOMINAL	DATE	10/30/12
DRAWN BY	LGB		