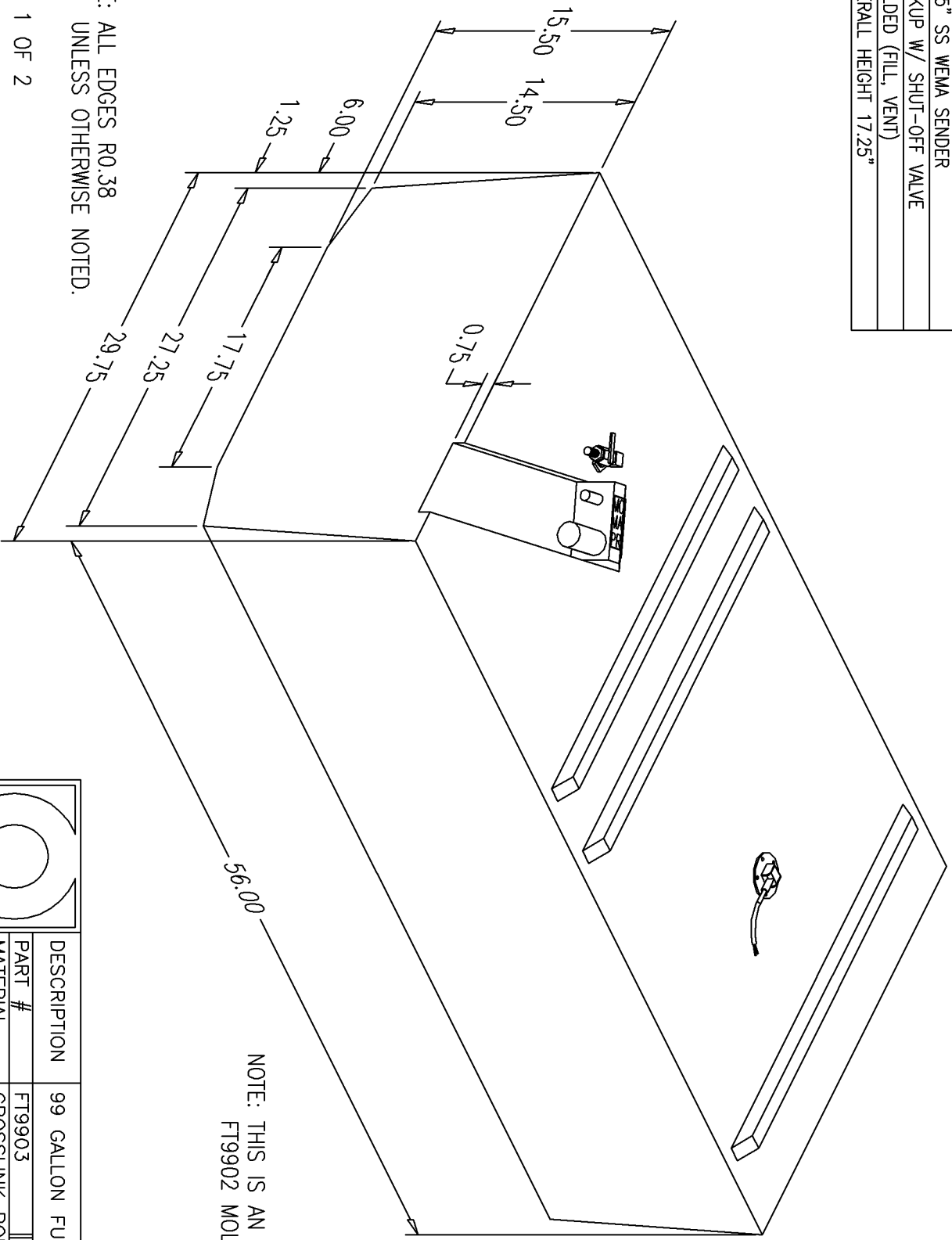


BILL of MATERIALS

Qty.	DESCRIPTION
1	14.5" SS WEMA SENDER
1	PICKUP W/ SHUT-OFF VALVE
	MOLDED (FILL, VENT)
	OVERALL HEIGHT 17.25"

NO. _____ REVISION _____ DATE _____

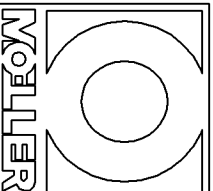
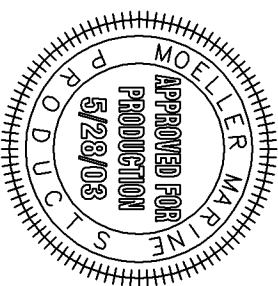


NOTE: ALL EDGES R0.38
UNLESS OTHERWISE NOTED.

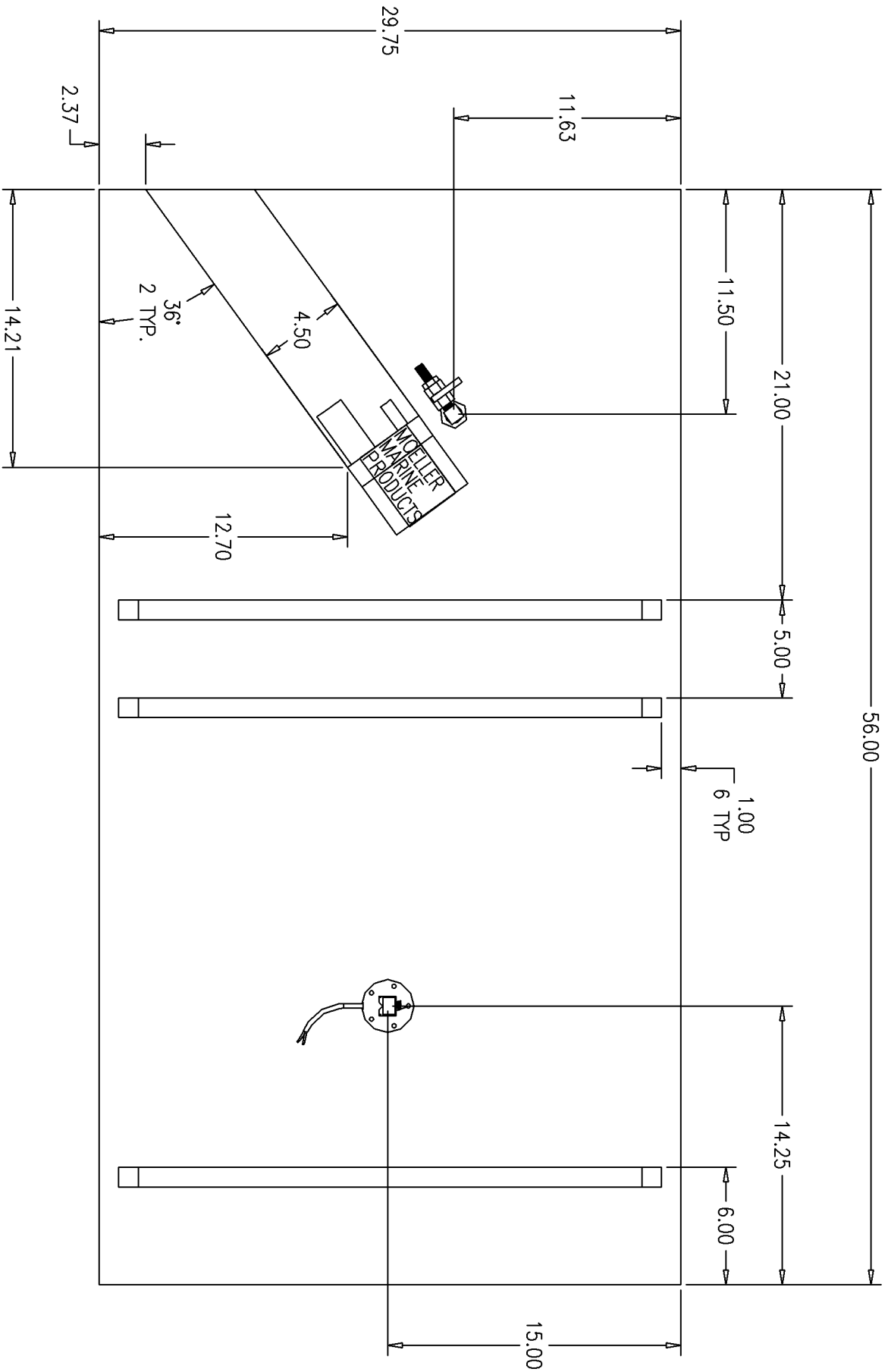
PAGE 1 OF 2

THIS DRAWING AND THE ATTACHED DRAWINGS (AND THE DATA SHOWN THEREON) IS CONFIDENTIAL AND PROPRIETARY AND SHALL NOT BE USED, DISCLOSED TO OTHERS, REPRODUCED FOR ANY PURPOSE EXCEPT FOR QUOTATION TO OR ORDER BY MOELLER MARINE PRODUCTS, INC. AND/OR ITS SUBSIDIARIES WITHOUT THEIR WRITTEN CONSENT TO THE USE OF SUCH DRAWINGS AND/OR DATA.

NOTE: THIS IS AN ADDITIONAL LID FOR
FT9902 MOLD BOTTOM.



DESCRIPTION	99 GALLON FUEL TANK
PART #	FT9903
MATERIAL	CROSSLINK POLYETHYLENE
TOLERANCES	±1.5% UNLESS OTHERWISE NOTED
WALL THK.	0.250"
DRAWN BY	MOELLER ENGINEERING
DATE	12/6/02



NOTE: RIBS ARE 1.00" WIDE, 1.00" TALL AND BEVELED 45° AT ENDS