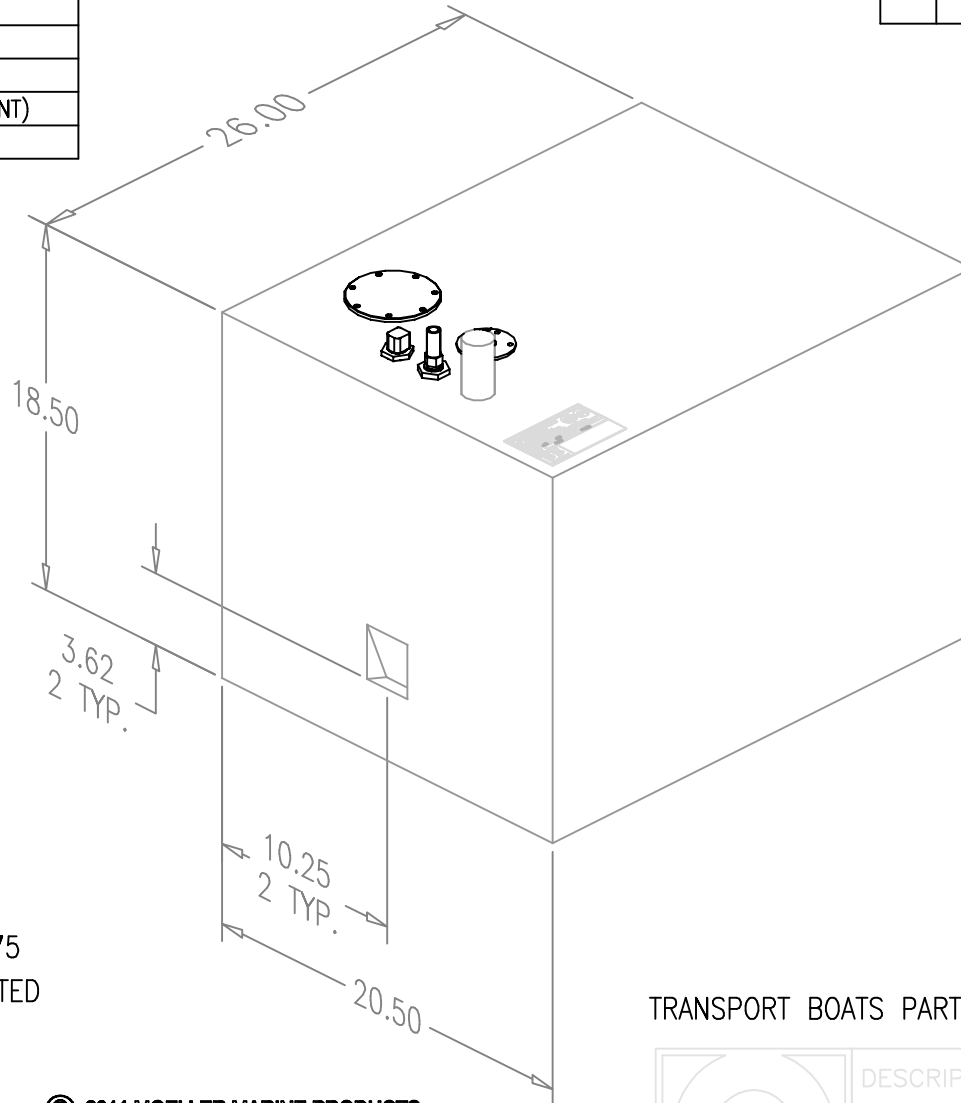


# BILL of MATERIALS

Qty.	DESCRIPTION
1	ROCHESTER SENDING UNIT 16.50"
1	BLOCK OFF PLATE FOR $\phi$ 3.00 CUT OUT
1	ALUM. PL3 PICKUP W/O BARB
2	HOOK POCKETS
1	$\phi$ 1.50 X 2.75 MOLDED FILL
1	3/8 NPT INSERT W/ 5/8 BARB (VENT)
	OVERALL HEIGHT 21.00"

NO.	REVISION	DATE
1	REPLACE 395128 W/ 395127	2/9/09
2	REPLACE ALUMINUM FILL W/ MOLDED	6/30/09
3	REPLACE PRIME W/ ROCHESTER	9/10/09
4	REPLACED LABEL W/ NEW LABEL; ADDED BLOCK OFF PLATE - AMC	12/5/11



NOTE: ALL EDGES HAVE R0.375  
UNLESS OTHERWISE NOTED

THIS DRAWING AND THE ATTACHED DRAWINGS (AND THE DATA SHOWN THERON) IS CONFIDENTIAL AND PROPRIETARY AND SHALL NOT BE USED, DISCLOSED TO OTHERS, REPRODUCED FOR ANY PURPOSE EXCEPT FOR QUOTATION TO OR ORDER BY MOELLER MARINE PRODUCTS, INC. AND/OR IT'S SUBSIDIARIES WITHOUT THEIR WRITTEN CONSENT TO THE USE OF SUCH DRAWINGS AND/OR DATA.

TRANSPORT BOATS PART #

CUSTOMER APPROVAL	
NAME:	
DATE:	



DESCRIPTION	40 GALLON FUEL TANK (032640)		
PART #	FT4018-1	COLOR	NATURAL
MATERIAL	CROSSLINK POLYETHYLENE		
TOLERANCES	±1.5% UNLESS OTHERWISE NOTED		
WALL THK.	0.220"	DATE	12/5/11
DRAWN BY	MOELLER ENGINEERING		