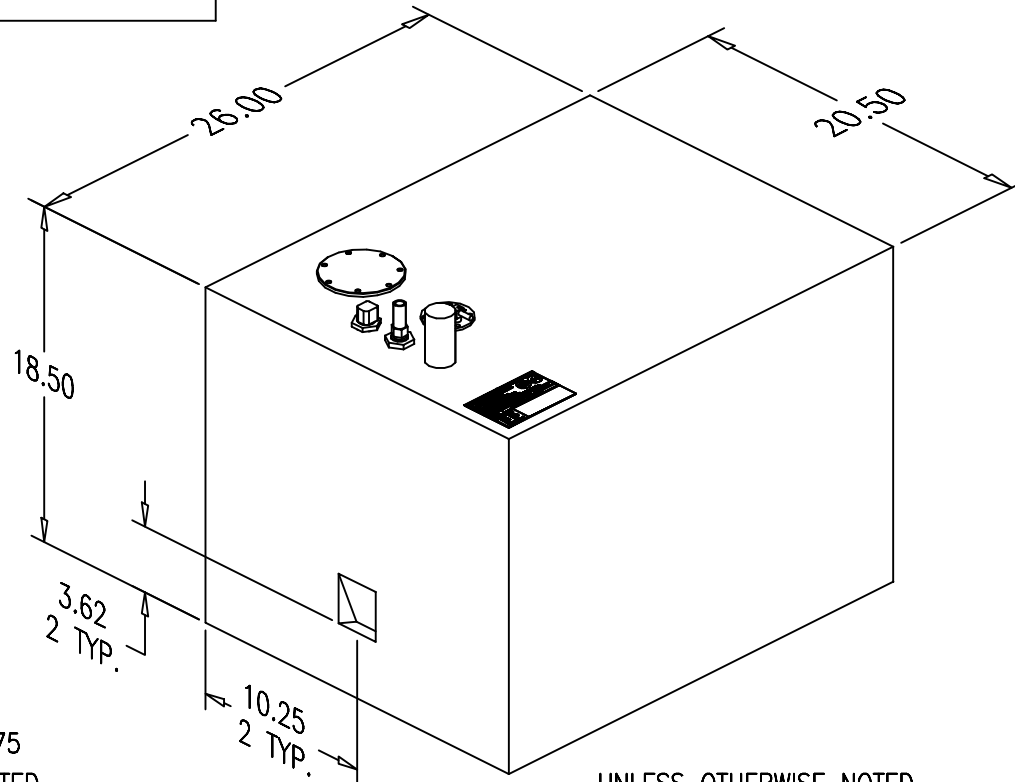


BILL of MATERIALS

Qty.	DESCRIPTION
1	PRIME SENDING UNIT W/ 1/4" RETURN BARB W/O TUBE
1	BLOCK OFF PLATE FOR Ø3.00 CUT OUT
1	ALUM. PL3 PICKUP W/O BARB
2	HOOK POCKETS
1	Ø1.50 X 2.75 MOLDED FILL
1	3/8 NPT INSERT W/ 5/8" BARB (VENT)
	OVERALL HEIGHT 21.00"

NO.	REVISION	DATE
1	REPLACE ALUMINUM FILL W/ MOLDED	6/30/09
2	REPLACED LABEL W/ NEW LABEL: ADDED BLOCK OFF PLATE - AMC	12/5/11

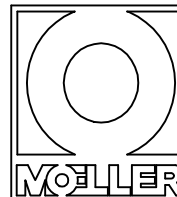
NOTE: ZIP TIE BRACKETS
TO TOP OF TANK



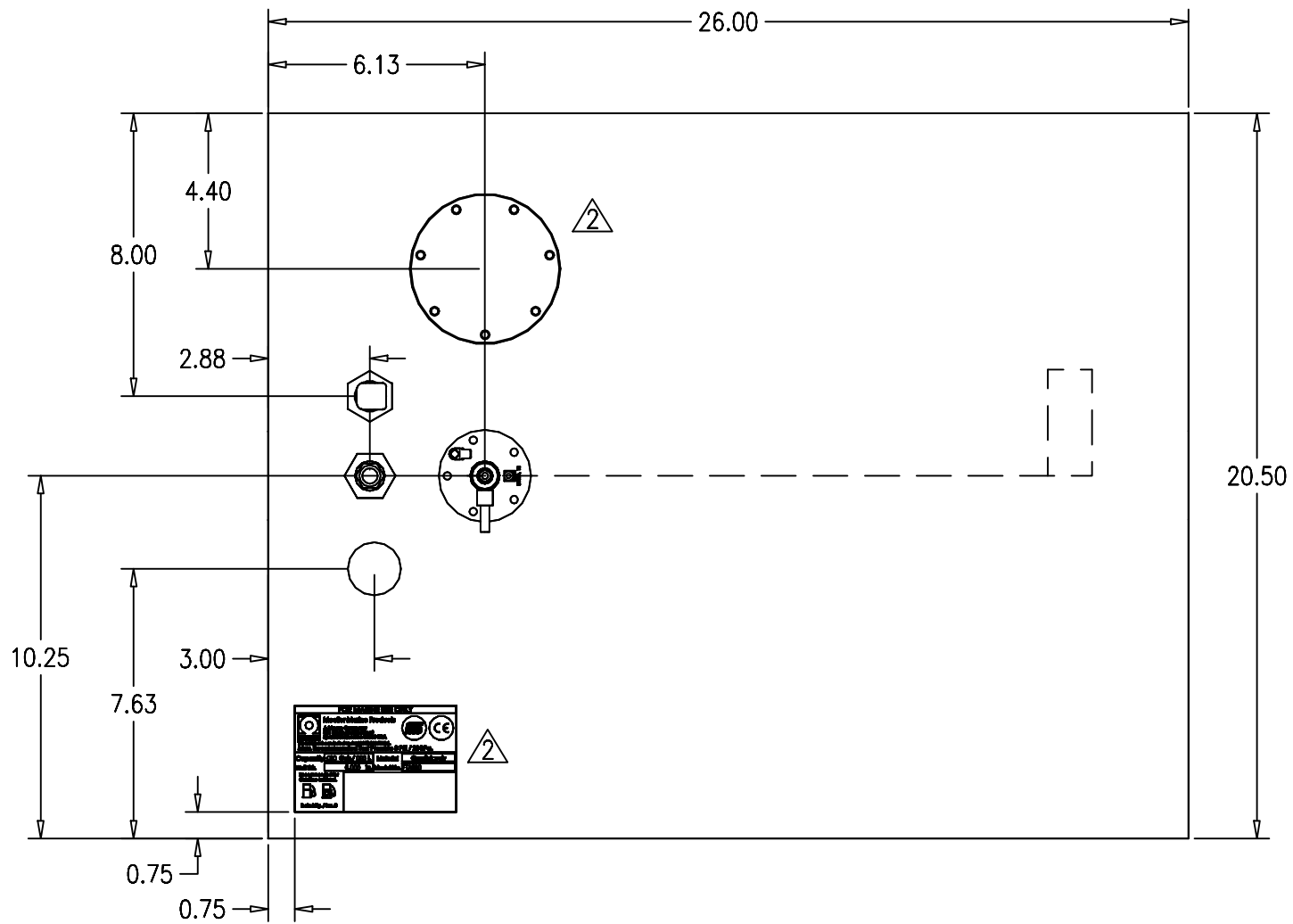
NOTE: ALL EDGES HAVE R0.375
UNLESS OTHERWISE NOTED

UNLESS OTHERWISE NOTED

CUSTOMER APPROVAL	
NAME:	
DATE:	



DESCRIPTION	40 GALLON FUEL TANK (032640-1)		
PART #	FT4018-2	COLOR	NATURAL
MATERIAL	CROSSLINK POLYETHYLENE		
TOLERANCES	±1.5% UNLESS OTHERWISE NOTED		
WALL THK.	0.220"	DATE	12/5/11
DRAWN BY	MOELLER ENGINEERING		



TOP VIEW