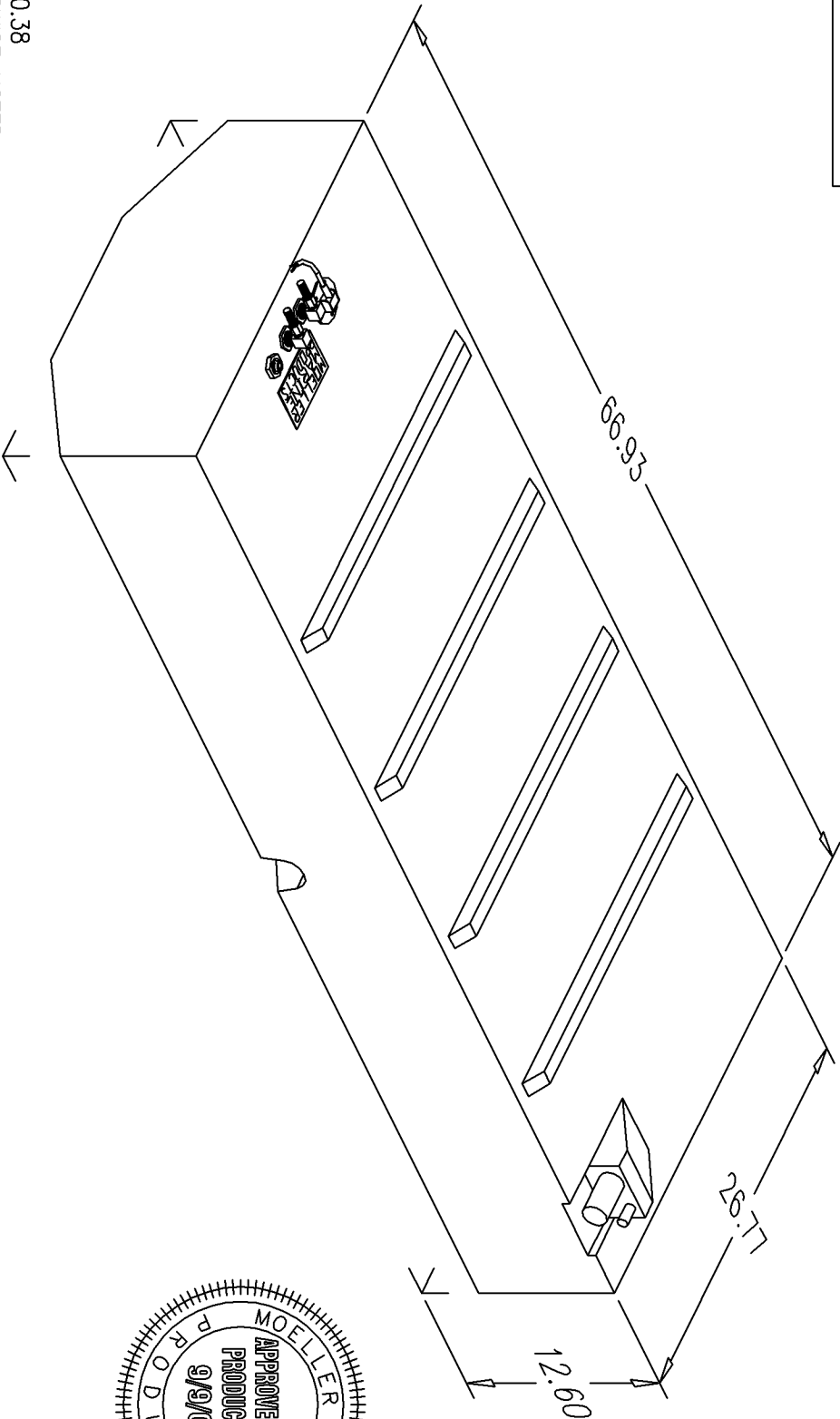


BILL of MATERIALS	
Qty.	DESCRIPTION
1	11.50" SS WEMA SENDER
2	PICKUP w/ ANTI-SIPHON VALVE
1	3/8" NPT COUNTERSUNK HEX PLUG
1	MODED FILL AND VENT
	OVERALL HEIGHT 14.60"

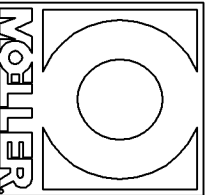
NO.	REVISION	DATE
1	ADD BAFFLES	2/10/98
2	CHANGE STEWERT WARNER TO WEMA.	7/21/98
3	REPLACE (1) PICKUP w/ 3/8" NPT CSK. PLUG.	3/15/99
4	REPLACE WEMA WITH SS WEMA	10/2/02
5	ROTATE SENDER	4/17/03



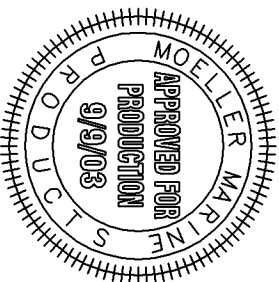
NOTE: ALL EDGES R0.38  
UNLESS OTHERWISE NOTED

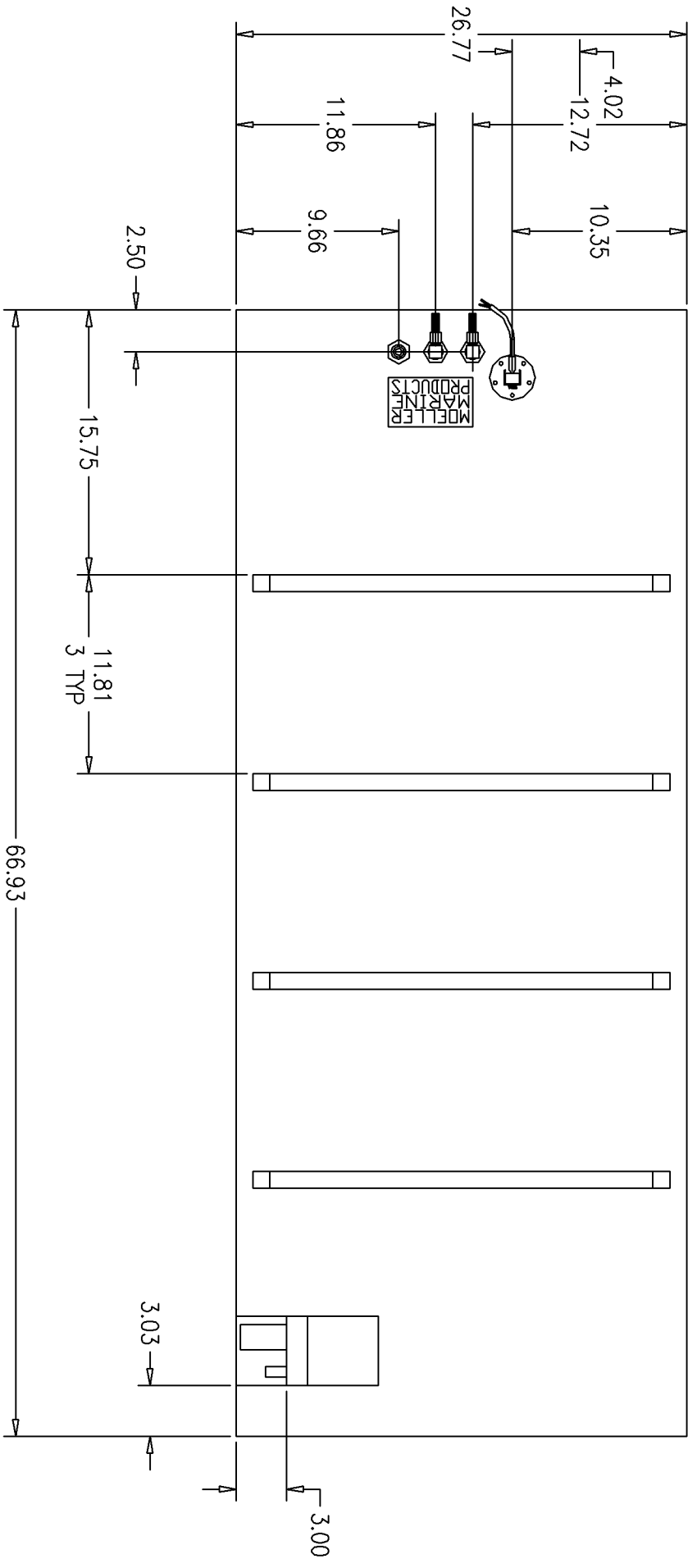
PAGE 1 OF 5

THIS DRAWING AND THE ATTACHED DRAWINGS (AND THE DATA SHOWN THEREON) IS CONFIDENTIAL AND PROPRIETARY AND SHALL NOT BE USED, DISCLOSED TO OTHERS, REPRODUCED FOR ANY PURPOSE EXCEPT FOR QUOTATION TO OR ORDER BY MOELLER MARINE PRODUCTS, INC. AND/OR ITS SUBSIDIARIES WITHOUT THEIR WRITTEN CONSENT TO THE USE OF SUCH DRAWINGS AND/OR DATA.

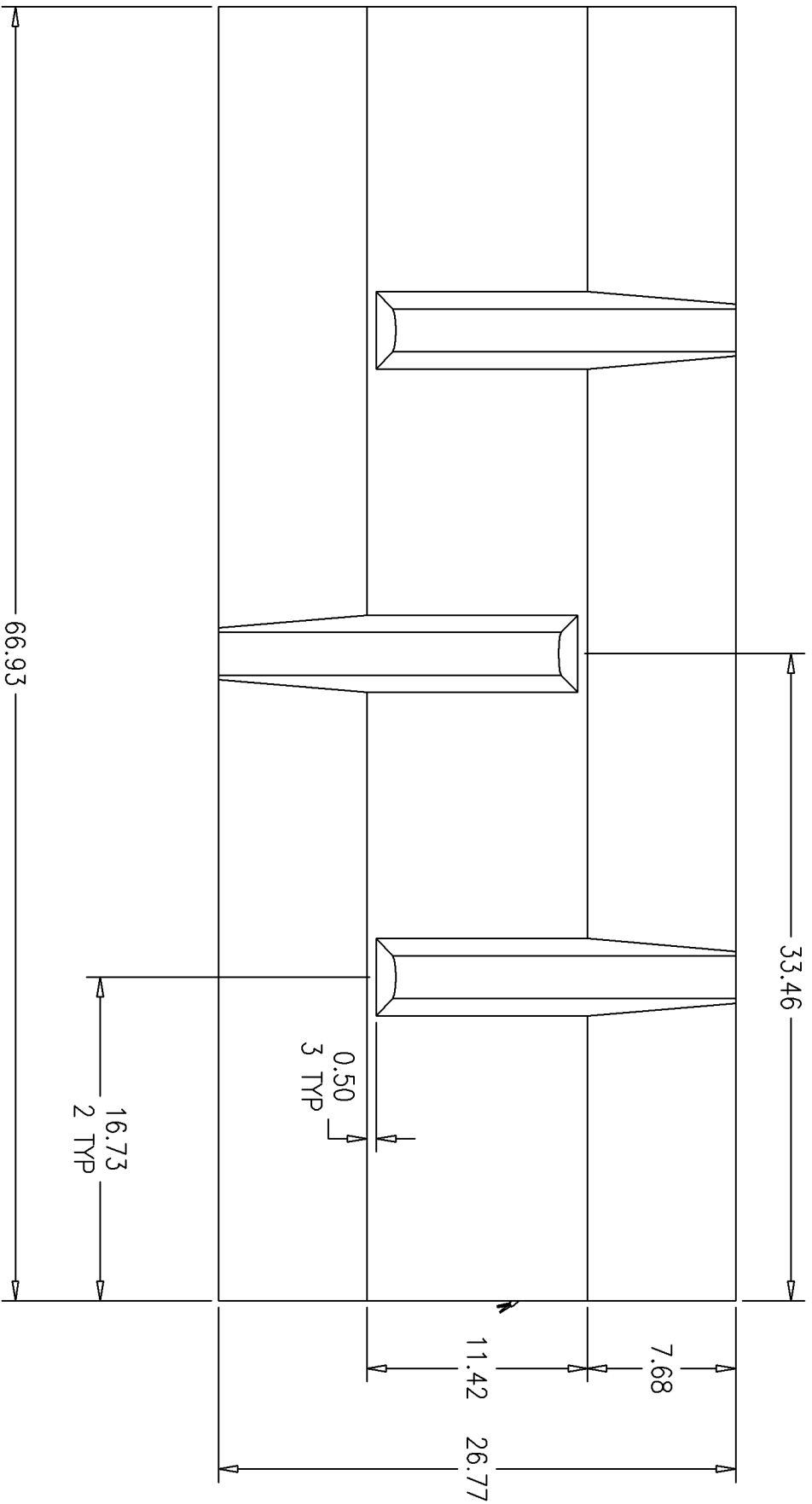


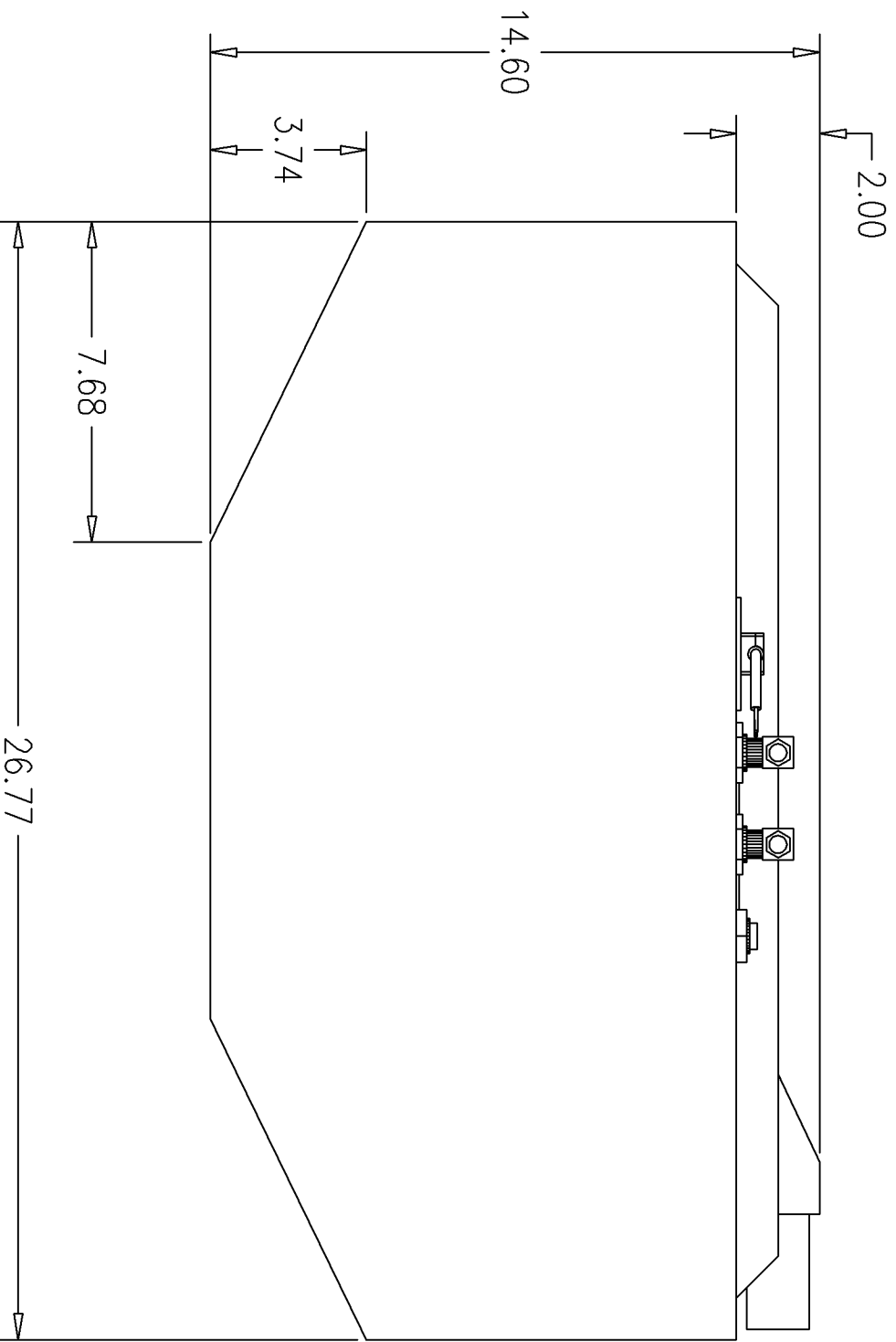
DESCRIPTION	80 GALLON FUEL TANK	
PART #	FT8008	COLOR NATURAL
MATERIAL	CROSSLINK POLYETHYLENE	
TOLERANCES	±1.5% UNLESS OTHERWISE NOTED	
WALL THK.	0.250"	DATE 4/17/03
DRAWN BY	MOELLER ENGINEERING	



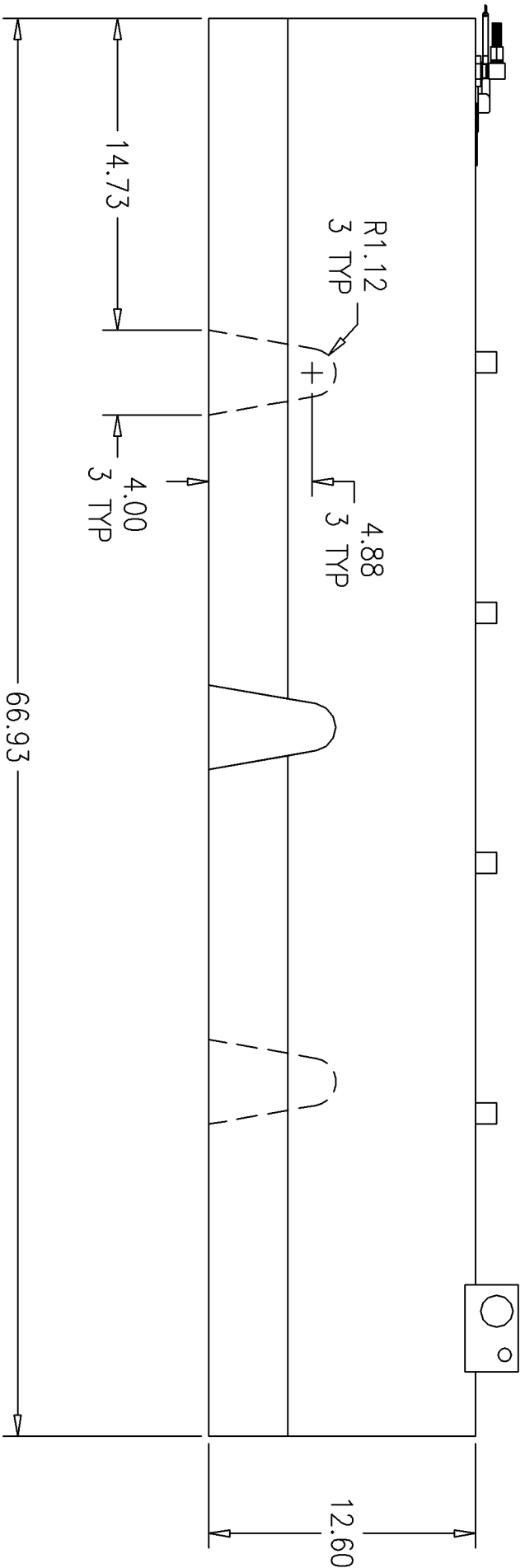


NOTE: DOGHOUSE IS 4.13 WIDE, 5.45 LONG, 2.00 TALL AND HAS A TOP FLAT OF 1.25. RECESS IN FRONT OF DOGHOUSE IS 0.50 DEEP. RIBS ARE 1.00 WIDE, 1.00 TALL, 1.00 FROM FRONT EDGE, AND ARE BEVELED 45° AT ENDS.





LEFT VIEW  
4/17/03



FRONT VIEW  
 4/17/03

PAGE 5  
 FT8008-R5