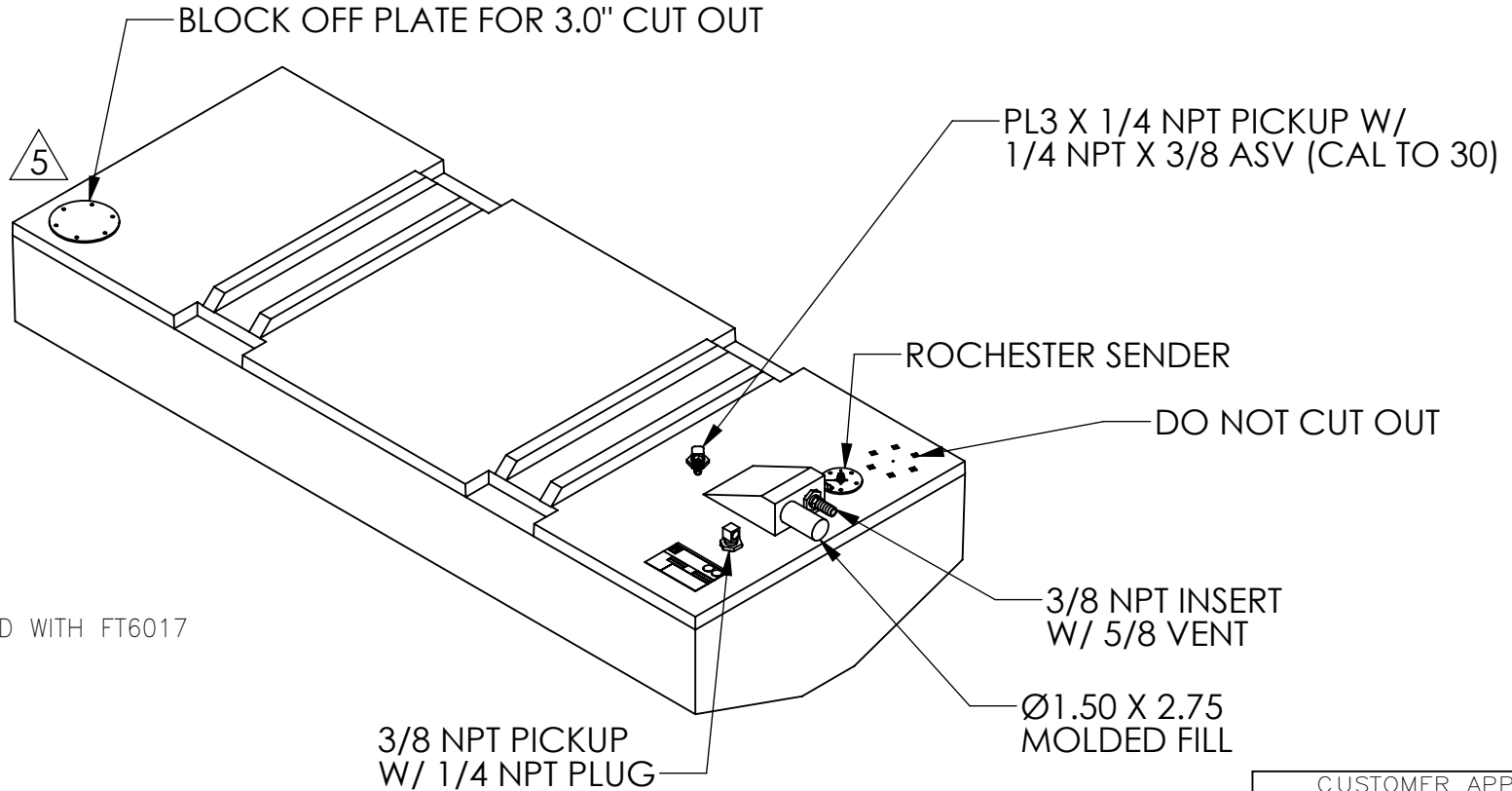


ATTACH BRACKETS W/ZIPTIE

NO.	REVISION	DATE	DRAFTER
1	MOVED PICKUP BEHIND DOGHOUSE IN CENTER OF TANK	1/11/11	CFN
2	UPDATE COMPONENT DESCRIPTIONS	8/4/11	LGB
3	ADDED BRACKET NOTE; FIXED TYPO	8/24/11	AMC
4	ADDED BLOCK OFF PLATE, UPDATED LABEL TO NEW STYLE	11/7/12	AMC
5	RELOCATED BLOCK OFF PLATE	12/05/12	ATS
6	REMOVE PICKUP BY FLVV BLOCK OFF	8/13/13	ATS



SHARES BOTTOM MOLD WITH FT6017

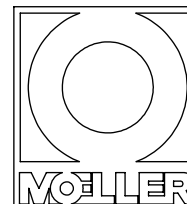
CUSTOMER APPROVAL	
NAME:	
DATE:	

PAGE 1 OF 3

NOTE: ALL EDGES R0.38
UNLESS OTHERWISE NOTED

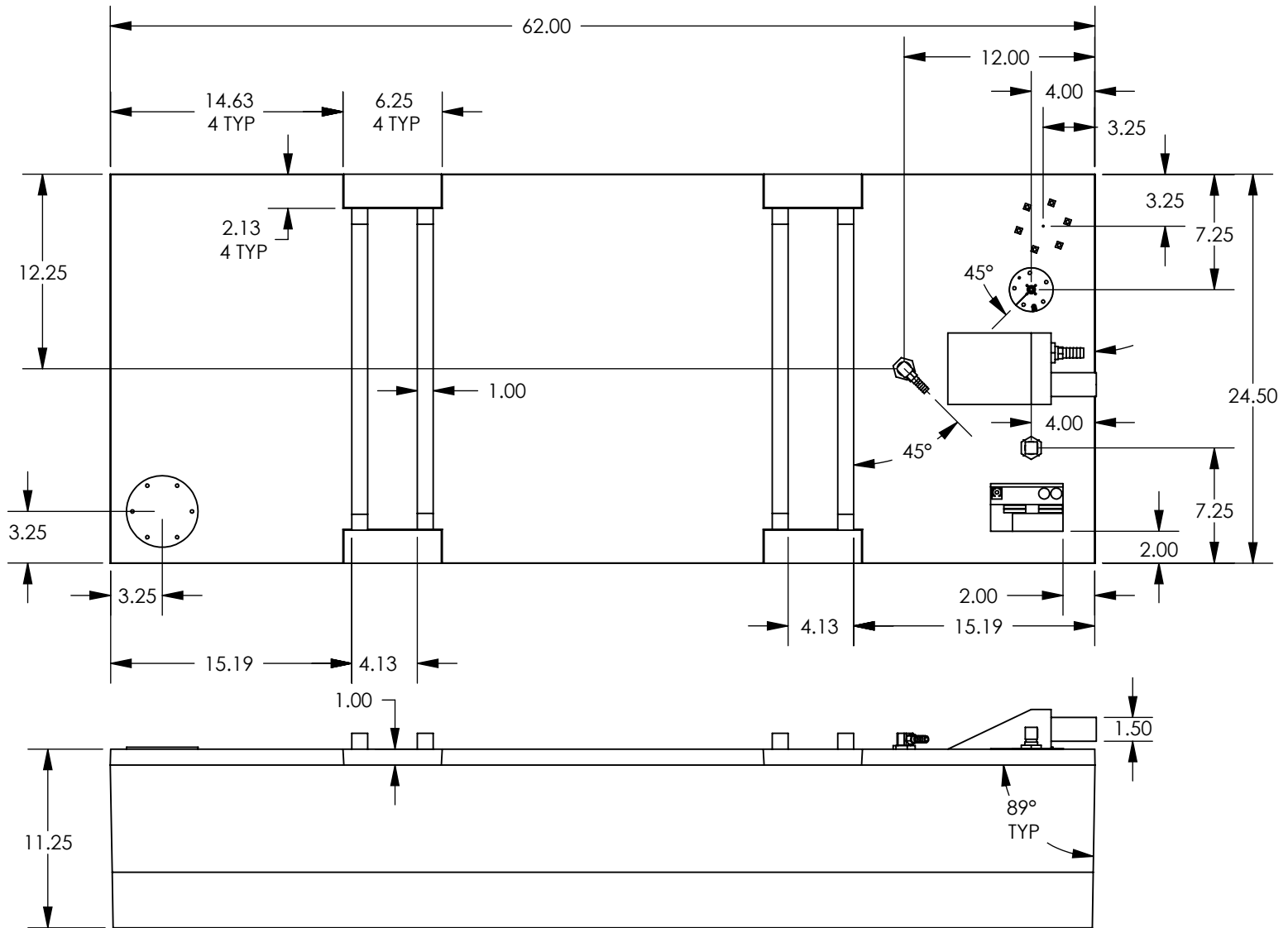
© 2012 MOELLER MARINE PRODUCTS
ALL RIGHT RESERVED

SHALLOW SPORT PART #



DESCRIPTION	60 GALLON FUEL TANK (032560)		
PART #	FTA000648	COLOR	NATURAL
MATERIAL	CROSSLINK POLYETHYLENE		
TOLERANCES	±1.5% UNLESS OTHERWISE NOTED		
WALL THK.	0.235" NOMINAL	DATE	12/05/12
DRAWN BY	ATS		

THIS DRAWING AND THE ATTACHED DRAWINGS (AND THE DATA SHOWN THERON) IS CONFIDENTIAL AND PROPRIETARY AND SHALL NOT BE USED, DISCLOSED TO OTHERS, REPRODUCED FOR ANY PURPOSE EXCEPT FOR QUOTATION TO OR ORDER BY MOELLER MARINE PRODUCTS, INC. AND/OR IT'S SUBSIDIARIES WITHOUT THEIR WRITTEN CONSENT TO THE USE OF SUCH DRAWINGS AND/OR DATA.



NOTE: DOGHOUSE IS 6.50 LONG, 4.50 WIDE, AND 2.50 TALL W/ A 1.25 TOP FLAT
 RIBS ARE 1.00 TALL, 1.00 WIDE, AND BEVELED 45° AT EACH END.
 FILL IS Ø1.50 X 2.75

