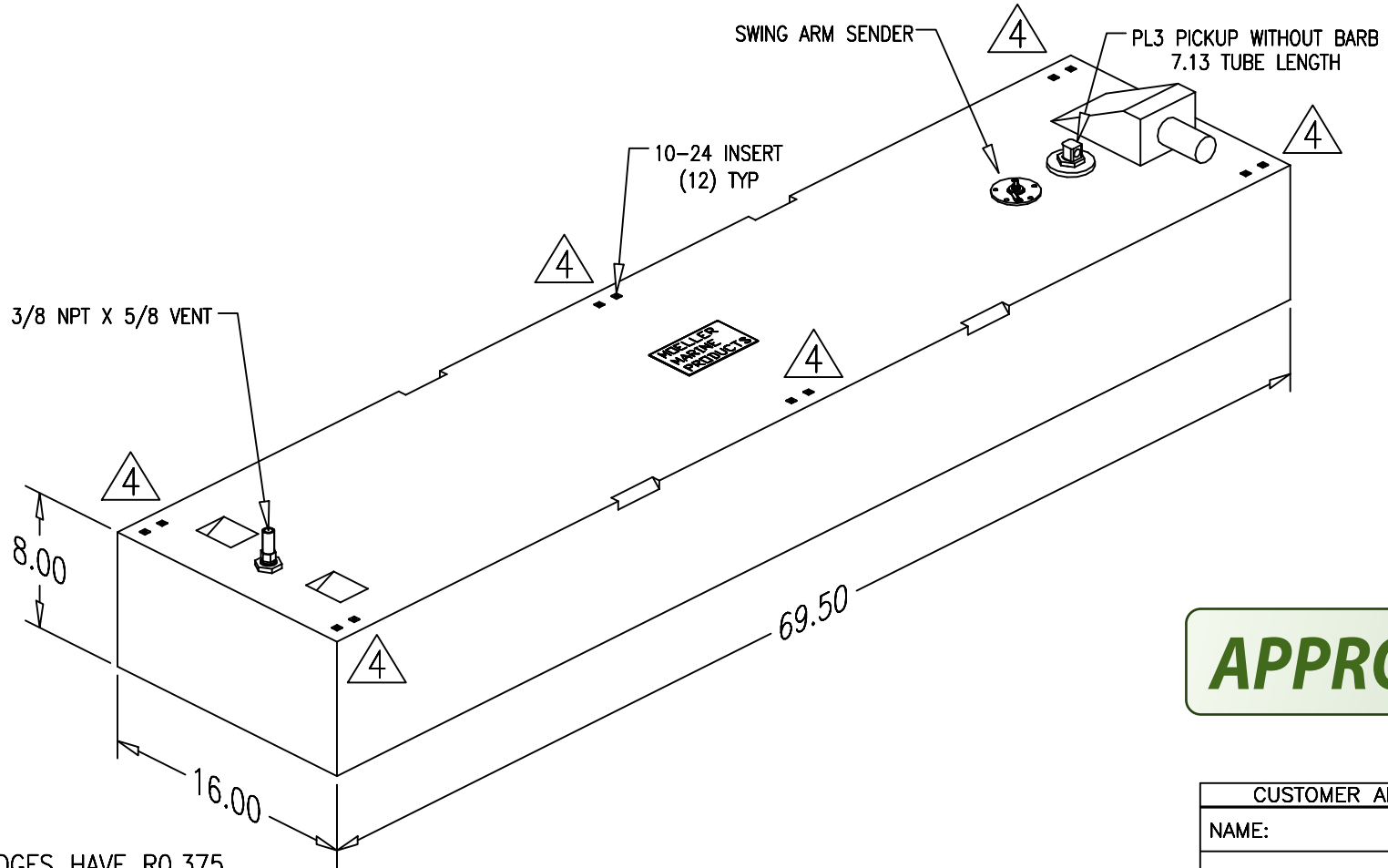


NO.	REVISION	DATE
1	MAKE DOGHOUSE 1" WIDER	12/13/07
2	REPLACE ALUMINUM FILL WITH MOLDED FILL.	4/22/08
3	REPLACE 395121 W/ 395004	11/16/09
4	ADD (12) 10-24 INSERTS	2/14/14



APPROVED

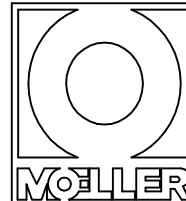
CUSTOMER APPROVAL
NAME:
DATE:

NOTE: ALL EDGES HAVE R0.375
UNLESS OTHERWISE NOTED

PAGE 1 OF 2

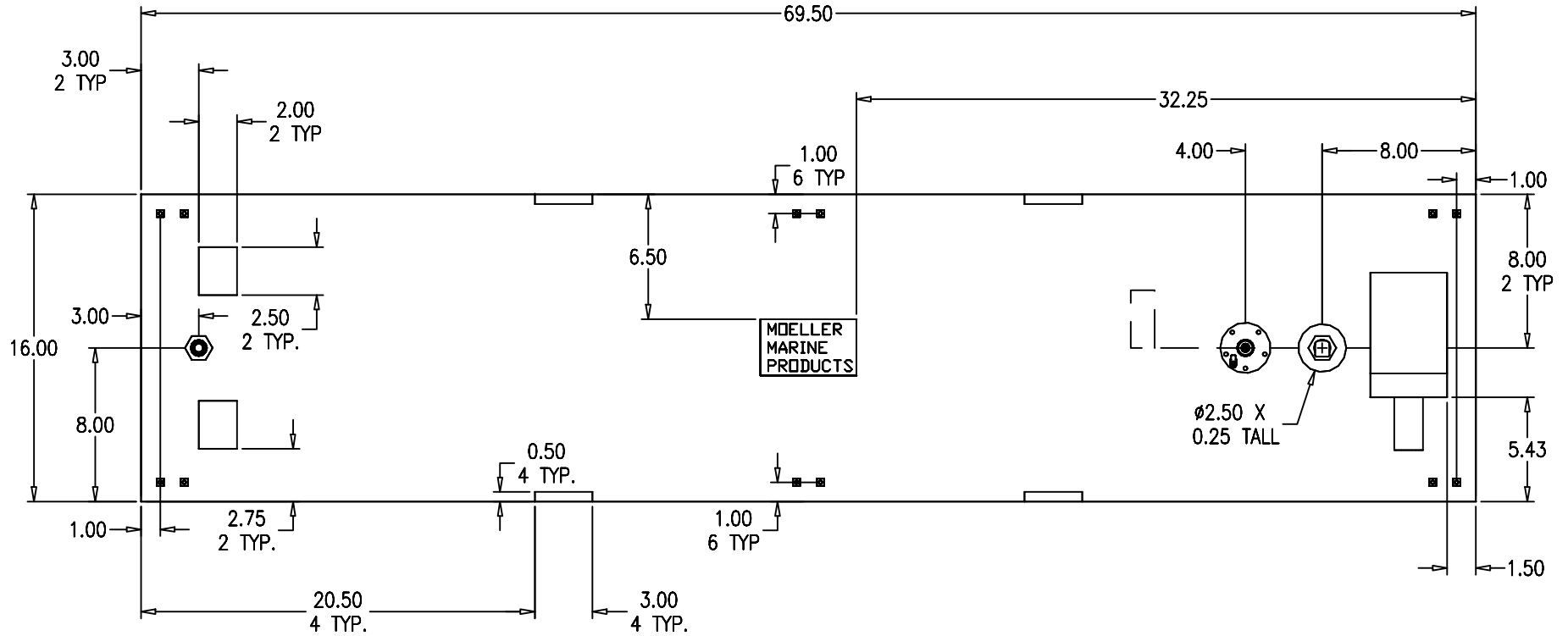
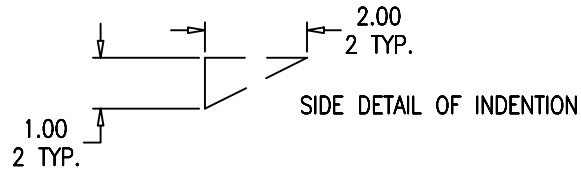
© 2008 MOELLER MARINE PRODUCTS
ALL RIGHT RESERVED

THIS DRAWING AND THE ATTACHED DRAWINGS (AND THE DATA SHOWN THERON) IS CONFIDENTIAL AND PROPRIETARY AND SHALL NOT BE USED, DISCLOSED TO OTHERS, REPRODUCED FOR ANY PURPOSE EXCEPT FOR QUOTATION TO OR ORDER BY MOELLER MARINE PRODUCTS, INC. AND/OR IT'S SUBSIDIARIES WITHOUT THEIR WRITTEN CONSENT TO THE USE OF SUCH DRAWINGS AND/OR DATA.



DESCRIPTION	35 GALLON FUEL TANK (032535)		
PART #	FT3599-2	COLOR	NATURAL
MATERIAL	CROSSLINK POLYETHYLENE		
TOLERANCES	±1.5% UNLESS OTHERWISE NOTED		
WALL THK.	0.200"	DATE	2/14/14
DRAWN BY	MOELLER ENGINEERING		

NOTE: STRAP LOCATIONS ARE BEVELED 45°



DOGHOUSE IS 6.50 LONG, 4.00 WIDE, 3.00 TALL, & HAS A 1.25 TOP FLAT.