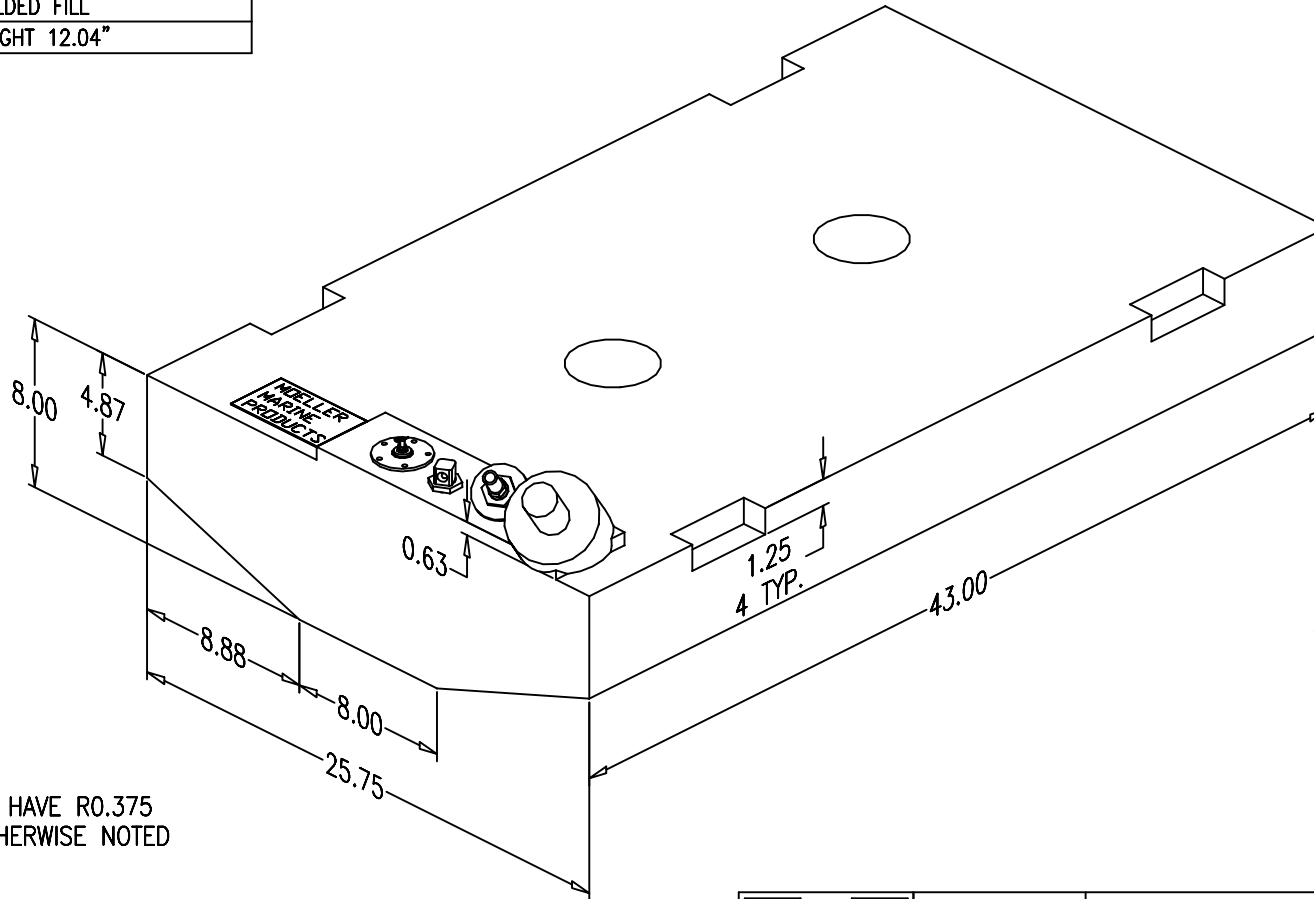


BILL of MATERIALS

Qty.	DESCRIPTION
1	ROCHESTETR ROUGH RIDER SENDER
1	ALUM. PL3 PICKUP W/O BARB
1	3/8 NPT INSERT W/ 5/8 BARB (VENT)
1	Ø1.50 X 2.75 MOLDED FILL
	OVERALL TANK HEIGHT 12.04"

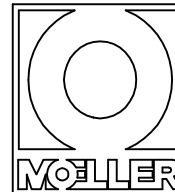
NO.	REVISION	DATE
1	REVISE FILL	12/17/07
2	REPLACE ALUMINUM FILL W/ MOLDED	6/29/09
3	REPLACE 395121 W/ 395004	11/16/09



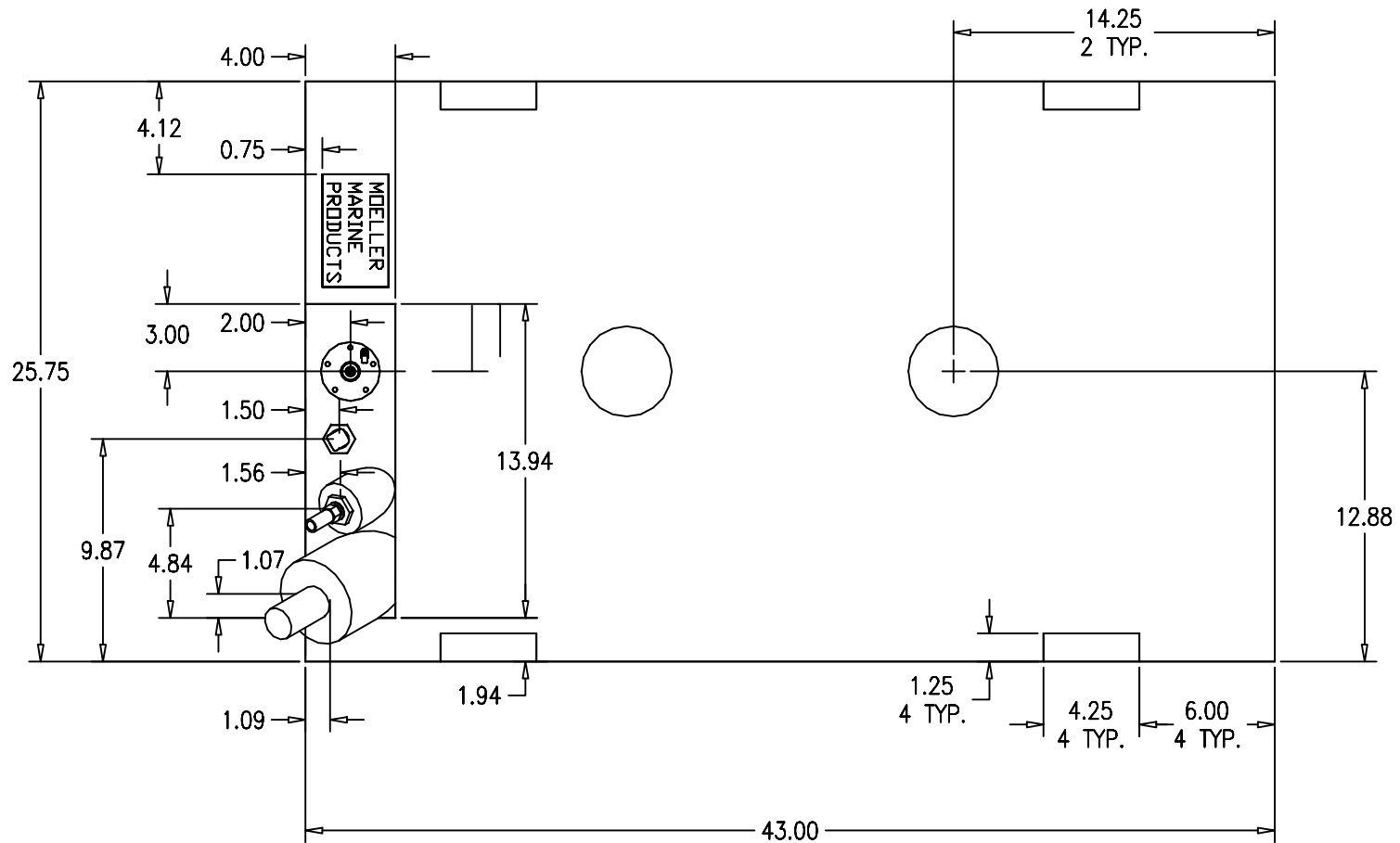
NOTE: ALL EDGES HAVE R0.375
UNLESS OTHERWISE NOTED

PAGE 1 OF 3

THIS DRAWING AND THE ATTACHED DRAWINGS (AND THE DATA SHOWN THERON) IS CONFIDENTIAL AND PROPRIETARY AND SHALL NOT BE USED, DISCLOSED TO OTHERS, REPRODUCED FOR ANY PURPOSE EXCEPT FOR QUOTATION TO OR ORDER BY MOELLER MARINE PRODUCTS, INC. AND/OR IT'S SUBSIDIARIES WITHOUT THEIR WRITTEN CONSENT TO THE USE OF SUCH DRAWINGS AND/OR DATA.



DESCRIPTION	29 GALLON FUEL TANK (032529)		
PART #	FT2912-1	COLOR	NATURAL
MATERIAL	CROSSLINK POLYETHYLENE		
TOLERANCES	±1.5% UNLESS OTHERWISE NOTED		
WALL THK.	0.200"	DATE	11/16/09
DRAWN BY	MOELLER ENGINEERING		



NOTE: CONES ARE $\varnothing 4.00$ AT TOP AND $\varnothing 5.00$ AT BOTTOM.
 FILL AND VENT ARE ANGLED 45° FROM VERTICAL.
 PICKUP, AND VENT ARE ROTATED SAME DIRECTION.

