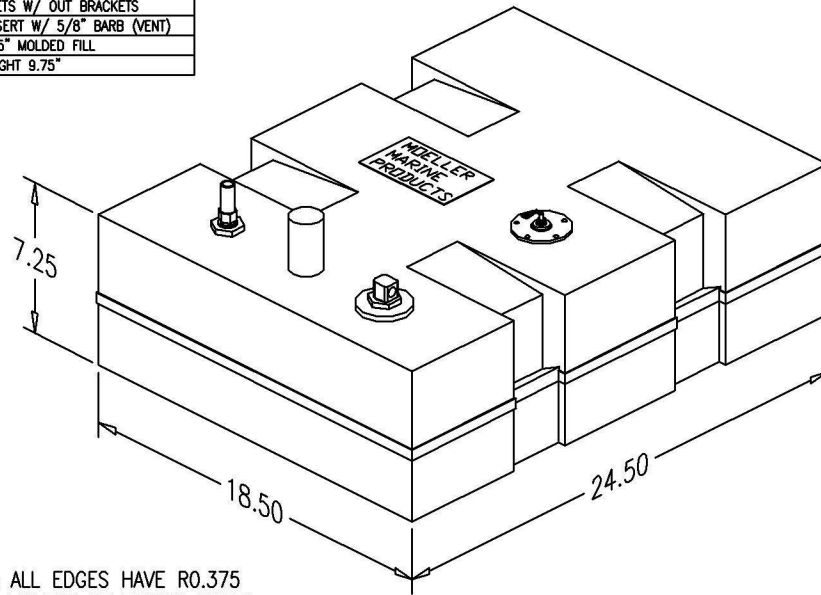


BILL of MATERIALS	
Qty.	DESCRIPTION
1	PRIME SENDING UNIT 6.10"
1	ALUM. PL3 PICKUP W/O BARB
4	HOOK POCKETS W/ OUT BRACKETS
1	3/8 NPT INSERT W/ 5/8" BARB (VENT)
1	Ø1.50" X 2.5" MOLDED FILL
	OVERALL HEIGHT 9.75"

NO.	REVISION	DATE
1	CHANGED ALUM. FILL TO MOLDED FILL	11/17/08



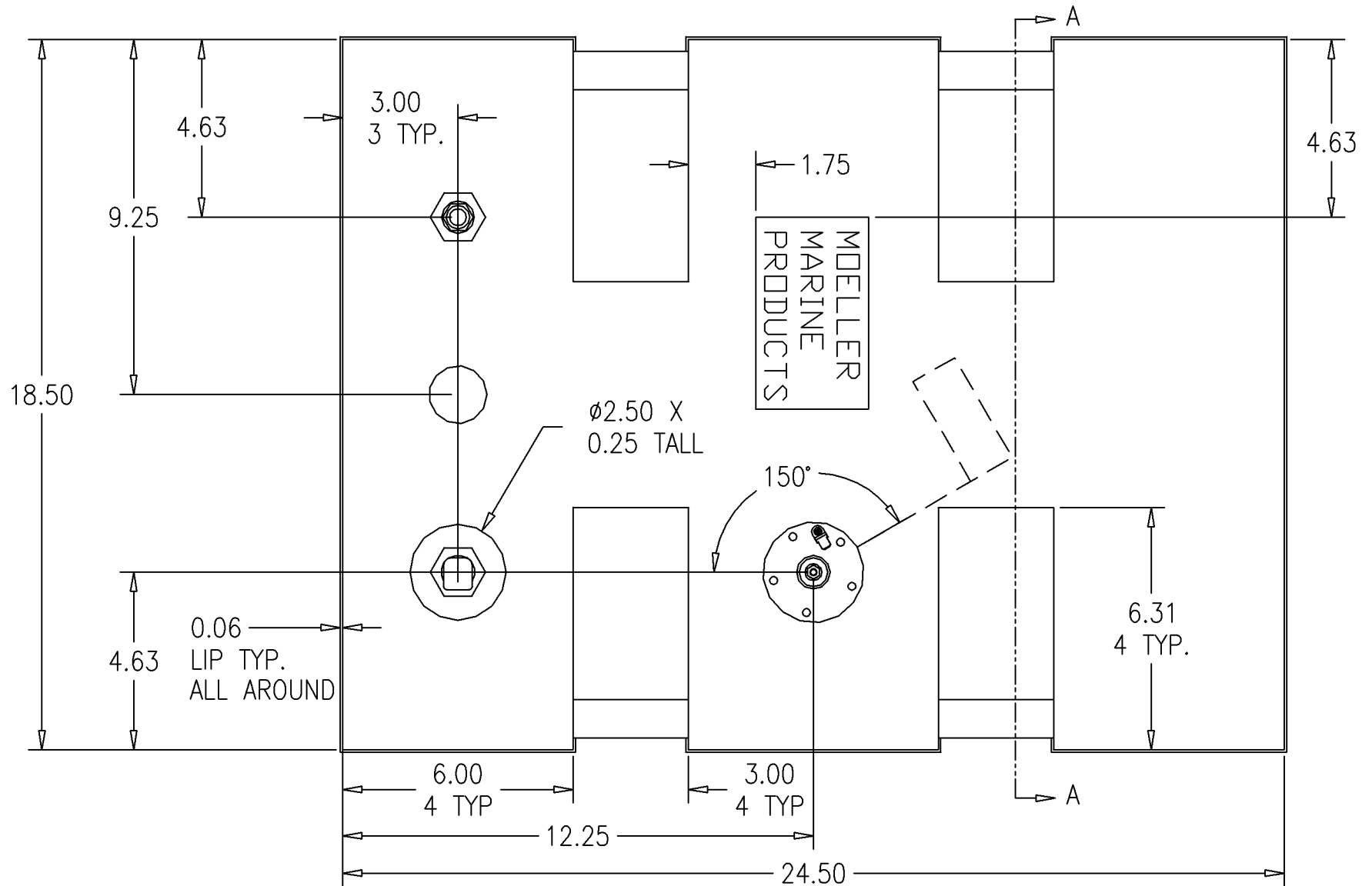
NOTE: ALL EDGES HAVE R0.375
UNLESS OTHERWISE NOTED

PAGE 1 OF 3

THIS DRAWING AND THE ATTACHED DRAWINGS (AND THE DATA SHOWN THEREON) IS CONFIDENTIAL AND PROPRIETARY AND SHALL NOT BE USED, DISCLOSED TO OTHERS, REPRODUCED FOR ANY PURPOSE EXCEPT FOR QUOTATION TO OR ORDER BY MOELLER MARINE PRODUCTS, INC. AND/OR ITS SUBSIDIARIES WITHOUT THEIR WRITTEN CONSENT TO THE USE OF SUCH DRAWINGS AND/OR DATA.



DESCRIPTION	12 GALLON FUEL TANK (032512)	
PART #	FT1295-1	COLOR NATURAL
MATERIAL	CROSSLINK POLYETHYLENE	
TOLERANCES	±1.5% UNLESS OTHERWISE NOTED	
WALL THK.	0.200"	DATE 11/17/08
DRAWN BY	MOELLER ENGINEERING	



NOTE: DIMENSIONS ARE TO THE WALLS NOT TO THE LIP UNLESS OTHERWISE NOTED

