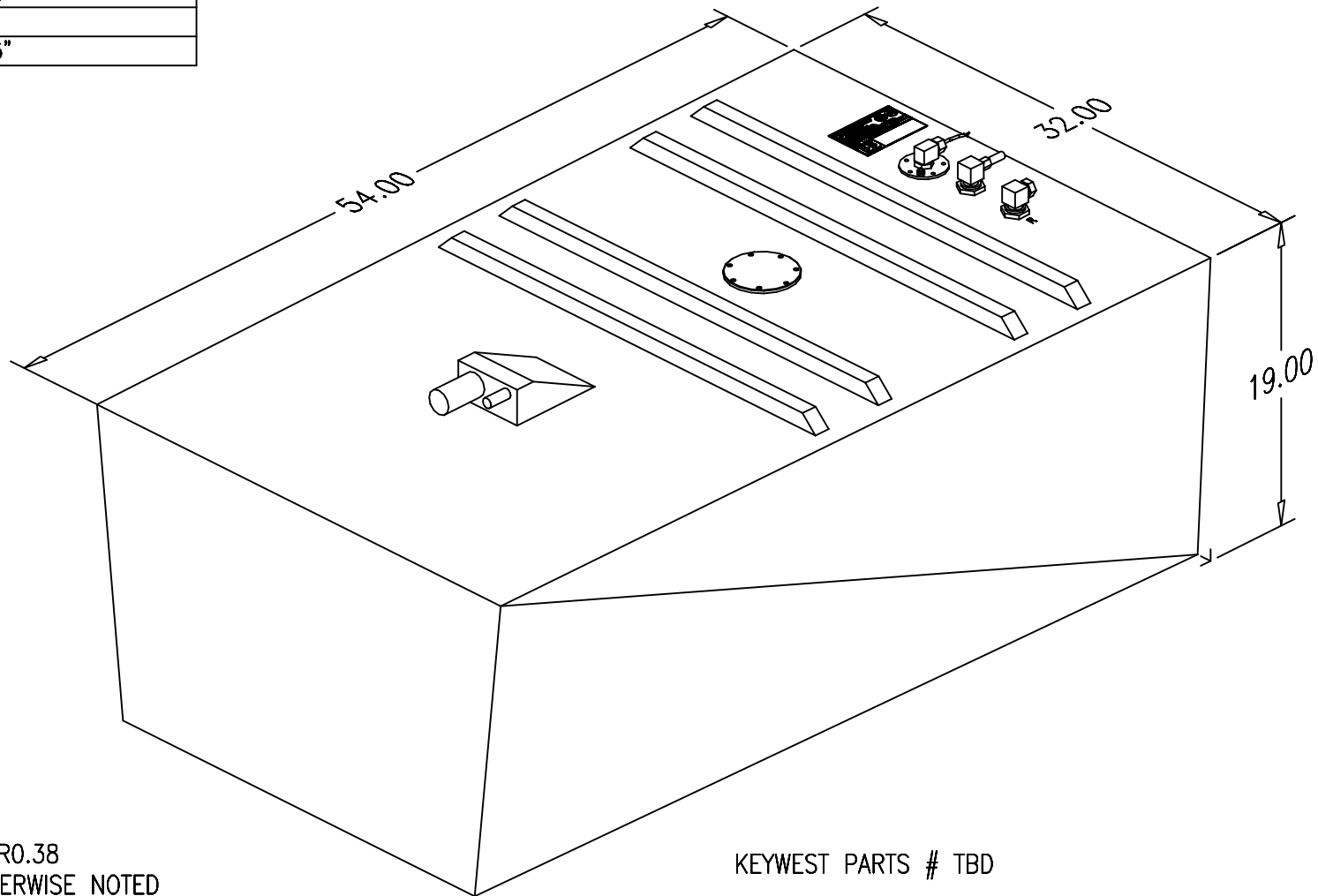


# BILL of MATERIALS

Qty.	DESCRIPTION
1	18.00" SS ROYCE SENDER
1	BLOCK OFF PLATE
1	PICKUP W/ 9/32" BARB ASV CAL15
1	RETURN W/ 1/4 PLUG
	MOLDED FILL & VENT
	OVERALL HEIGHT 21.25"

NO.	REVISION	DATE
1	ADD RETURN W/ 1/4 PLUG	8/29/02
2	REPLACE WEMA WITH SS WEMA	1/21/03
3	REPLACE WEMA WITH ROYCE SENDER	1/11/05
4	ADDED BLOCK OFF PLATE, UPDATED LABEL	5/31/11
5	REPLACED PU W/ 9/32" ASV CAL15	11/27/12

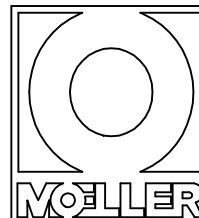


NOTE: ALL EDGES R0.38  
UNLESS OTHERWISE NOTED

KEYWEST PARTS # TBD

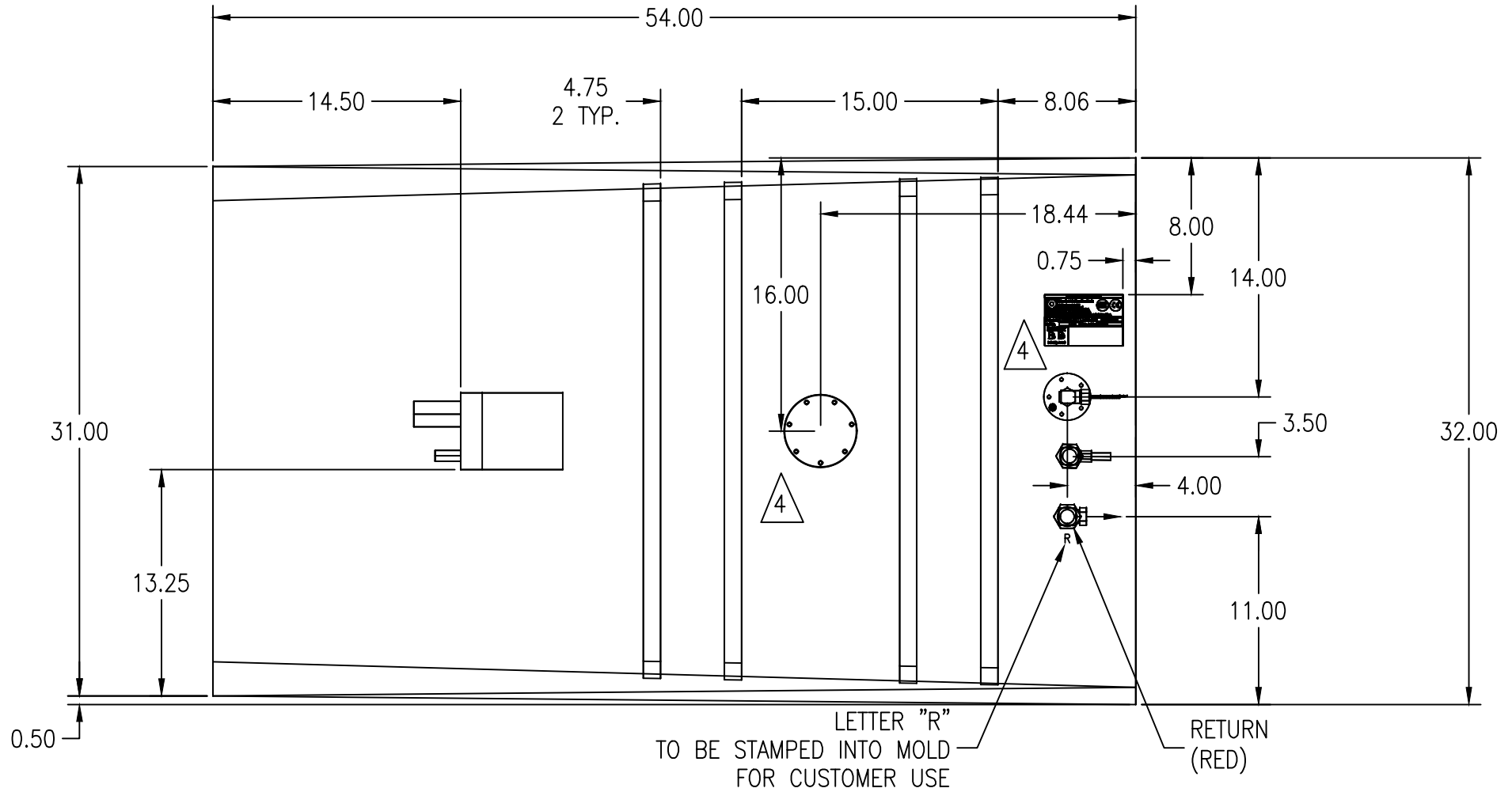
PAGE 1 OF 3

© 2012 MOELLER MARINE PRODUCTS  
ALL RIGHT RESERVED

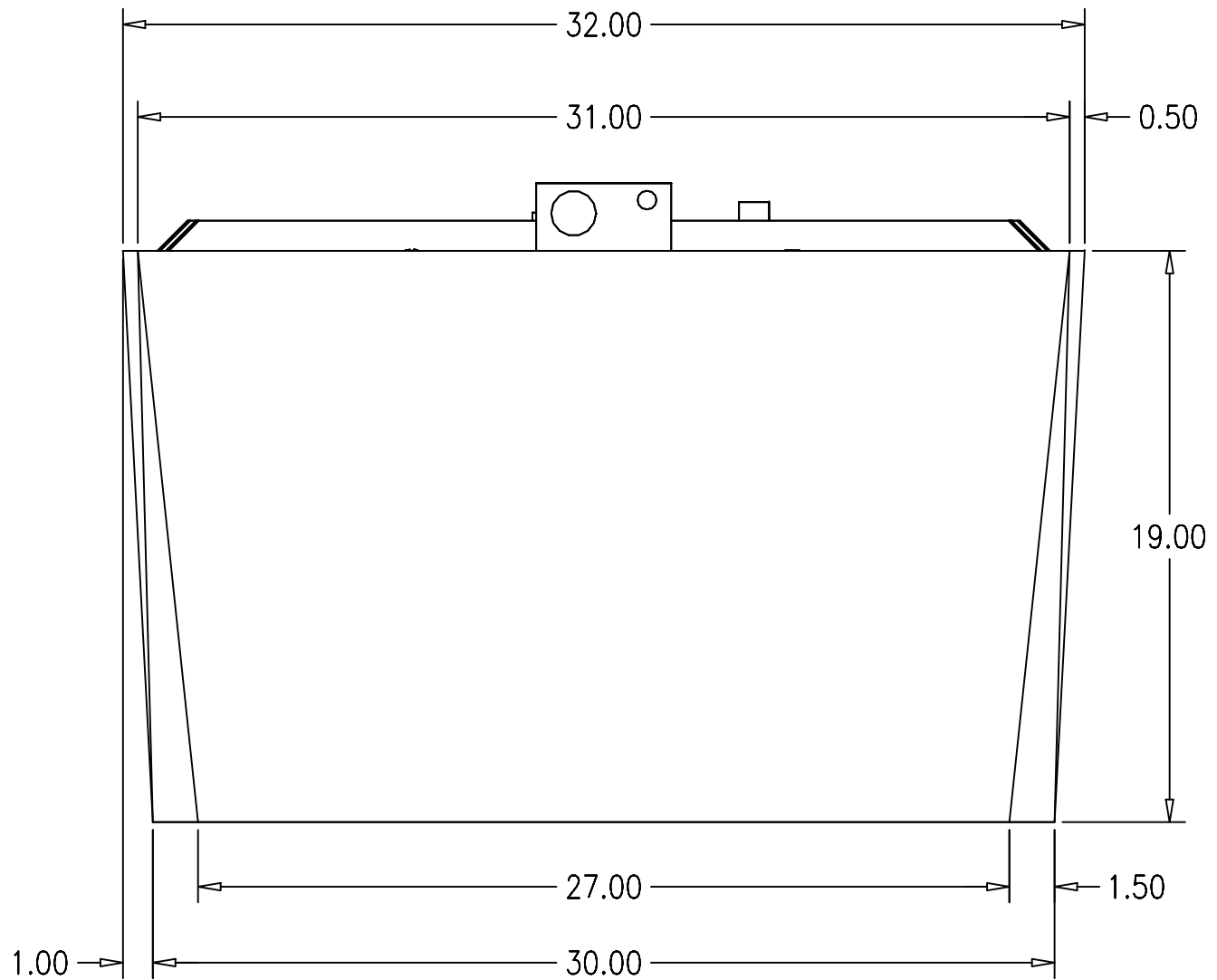


DESCRIPTION	126 GALLON FUEL TANK		
PART #	FT12601	COLOR	NATURAL
MATERIAL	CROSSLINK POLYETHYLENE		
TOLERANCES	±1.5% UNLESS OTHERWISE NOTED		
WALL THK.	0.275" NOMINAL	DATE	11/27/12
DRAWN BY	ATS		

THIS DRAWING AND THE ATTACHED DRAWINGS (AND THE DATA SHOWN THERON) IS CONFIDENTIAL AND PROPRIETARY AND SHALL NOT BE USED, DISCLOSED TO OTHERS, REPRODUCED FOR ANY PURPOSE EXCEPT FOR QUOTATION TO OR ORDER BY MOELLER MARINE PRODUCTS, INC. AND/OR IT'S SUBSIDIARIES WITHOUT THEIR WRITTEN CONSENT TO THE USE OF SUCH DRAWINGS AND/OR DATA.



NOTE: DOGHOUSE IS 5.98 LONG, 4.50 WIDE, 2.25 TALL, & HAS A 1.25 TOP FLAT.  
 RIBS ARE 1.00 WIDE, 1.00 TALL, 1.00 FROM EDGE OF TANK, & BEVELED 45.00° AT ENDS.



LEFT VIEW