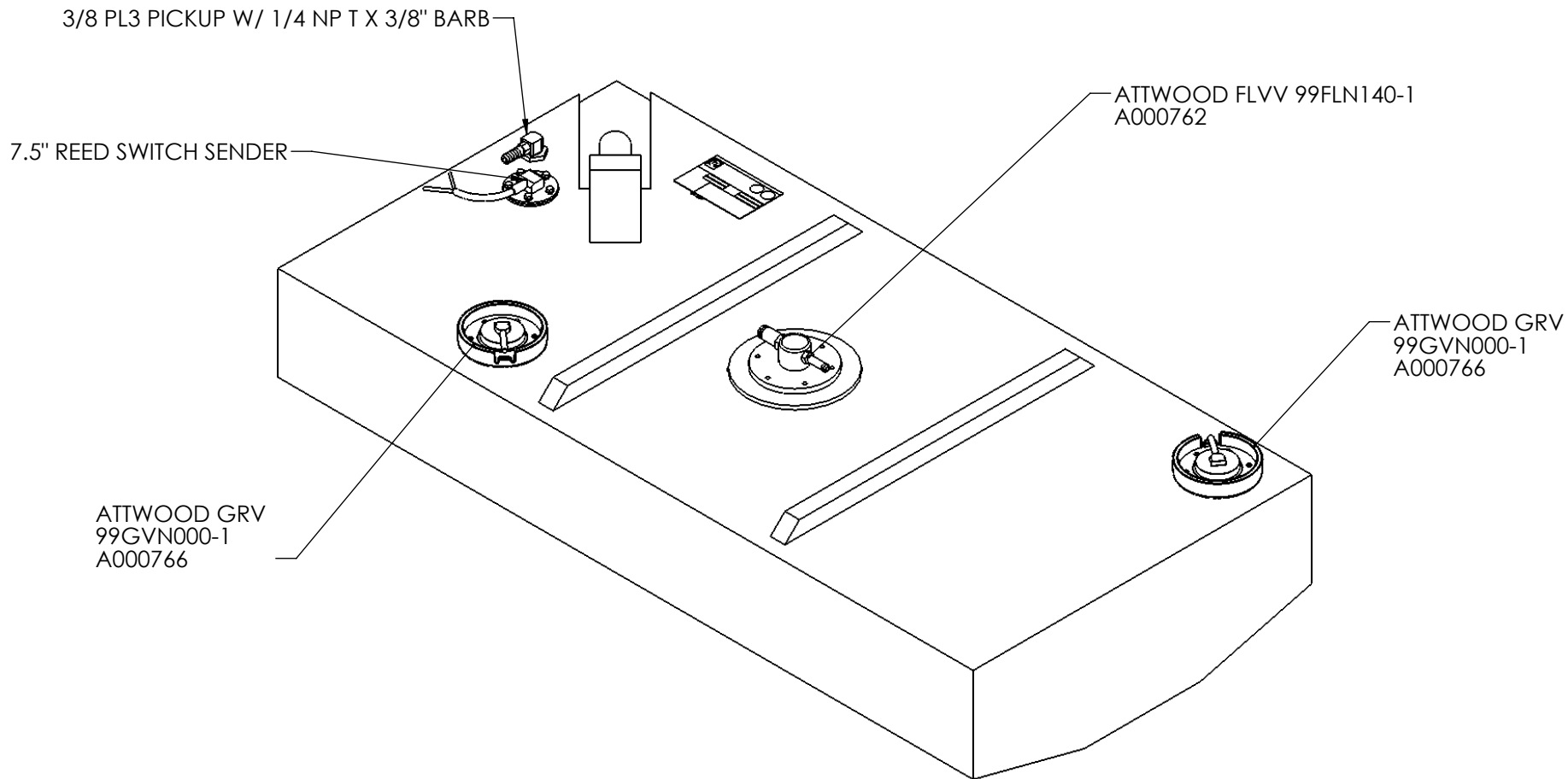


FUEL TANK INSTALLATION MUST ALLOW 3% GROWTH IN ALL DIRECTIONS. ANY DESIGNS NOT COMPLIANT WITH ABYC STANDARDS OR ARE CONSIDERED "GREY AREA" UNDER THESE STANDARDS WILL BE NOTED HERE IN. THIS PRINT AND ANY ATTACHED ARE PREPARED FOR CUSTOMER APPROVAL, PERFORMING THIS ACTION RELIEVES MOELLER MARINE PRODUCTS OF LIABILITY ASSOCIATED WITH TANK DESIGN.

NO.	REVISION	DATE	DRAFTER
1	-		

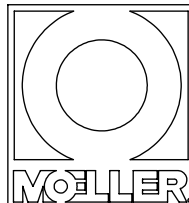


PAGE 1 OF 2

NOTE: ALL EDGES R0.38
 UNLESS OTHERWISE NOTED
 330 SHOT BLAST SURFACE TEXTURE
 1" DRAFT ON ALL EXTERIOR SURFACES AS NEEDED

© 2012 MOELLER MARINE PRODUCTS
 ALL RIGHT RESERVED

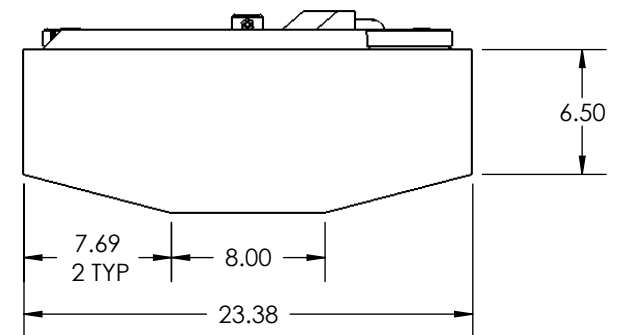
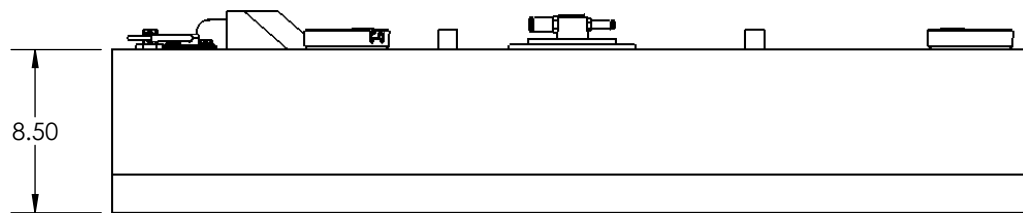
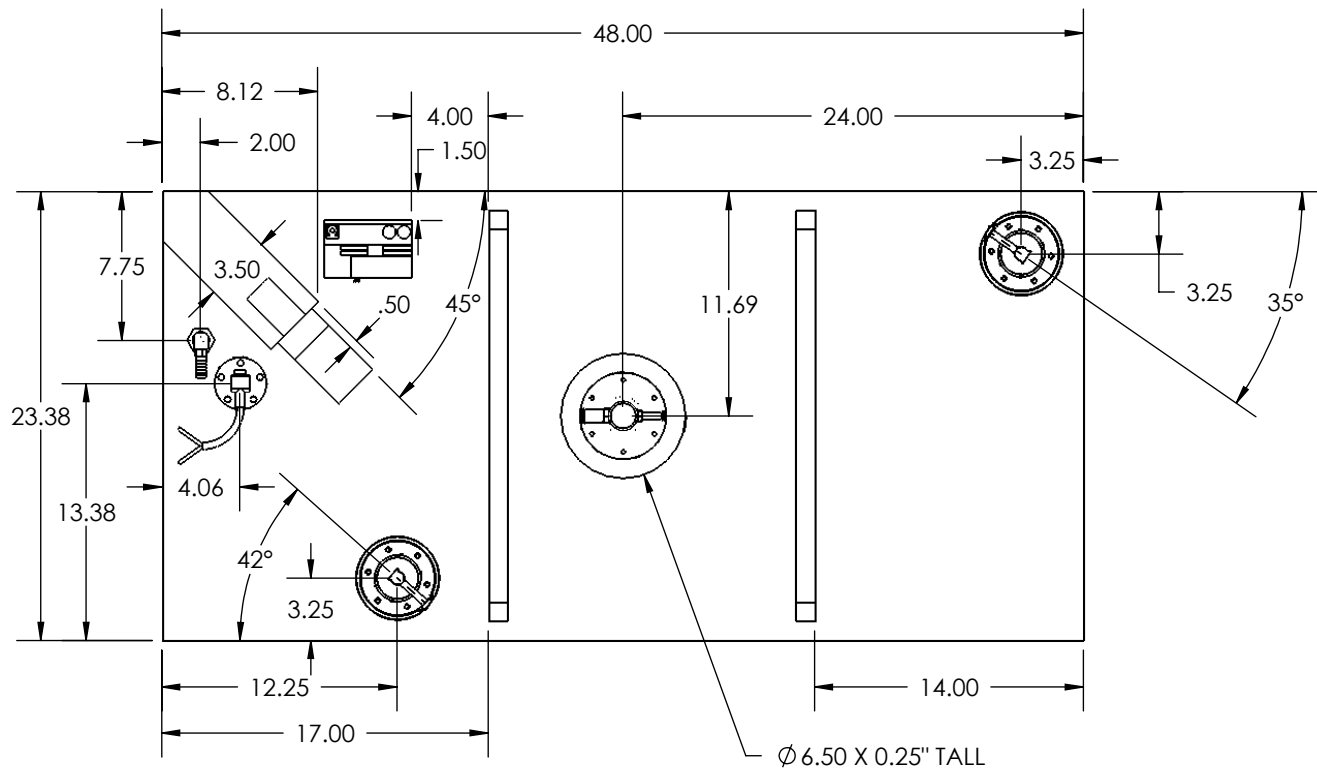
EPA CERTIFIED



CUSTOMER APPROVAL	
NAME:	
DATE:	

DESCRIPTION	≤35 GALLON FUEL TANK (132 L)		
PART #	FTA001102BR	COLOR	NATURAL
MATERIAL	CROSSLINK POLYETHYLENE W/BARRIER		
TOLERANCES	±1.5 % UNLESS OTHERWISE NOTED		
WALL THK.	.200" NOMINAL	DATE	10/26/12
DRAWN BY	ATS		

THIS DRAWING AND THE ATTACHED DRAWINGS (AND THE DATA SHOWN THERON) IS CONFIDENTIAL AND PROPRIETARY AND SHALL NOT BE USED, DISCLOSED TO OTHERS, REPRODUCED FOR ANY PURPOSE EXCEPT FOR QUOTATION TO OR ORDER BY MOELLER MARINE PRODUCTS, INC. AND/OR IT'S SUBSIDIARIES WITHOUT THEIR WRITTEN CONSENT TO THE USE OF SUCH DRAWINGS AND/OR DATA.



NOTE: DOGHOUSE IS 6.50" LONG, 2.50" WIDE, AND 2.50" TALL W/ A 1.25" TOP FLAT
 RECESS IN FRONT OF DOGHOUSE IS 0.50" DEEP
 FILL IS Ø1.50" X 2.75"
 RIBS ARE 1.00" TALL, 1.00" WIDE, 1.00" FROM TANK EDGES AND BEVELED 45° AT EACH END.