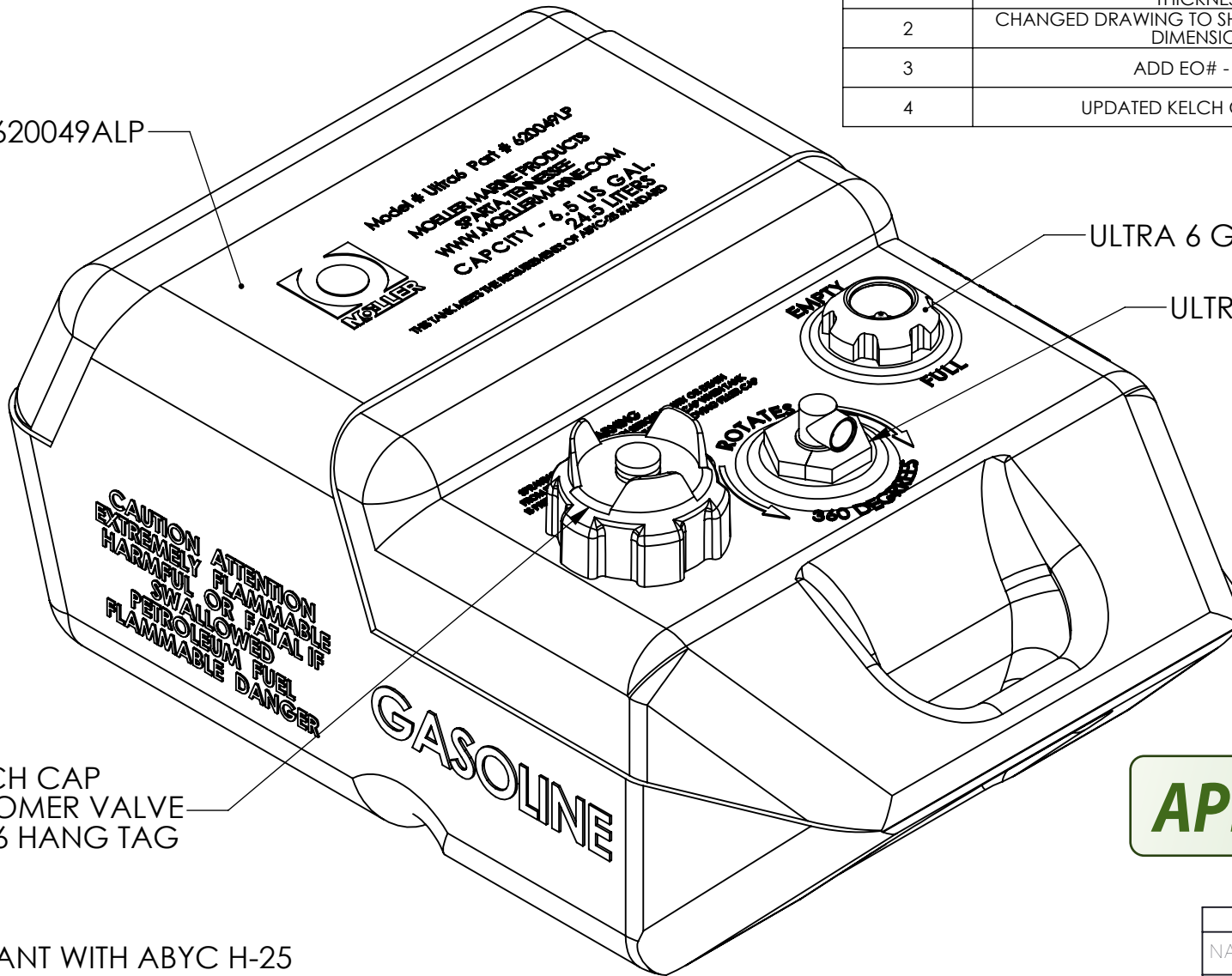


NO.	REVISION	DATE
1	ARRANGE TEXT TO MATCH PART, CHANGE WALL THICKNESS	12/29/10
2	CHANGED DRAWING TO SHOW OVERALL ASM. DIMENSION	7/13/11
3	ADD EO# - LGB	10/28/11
4	UPDATED KELCH CAP - JRW	4/20/12

620049ALP



ULTRA 6 GAUGE

ULTRA 6 SPLIT W/D

CAUTION
EXTREMELY HARMFUL
ATTENTION
FLAMMABLE
SWALLOW OR FATAL IF
PETROLEUM FUEL
FLAMMABLE DANGER

GASOLINE

KELCH CAP
W/ ELASTOMER VALVE
& ULTRA 6 HANG TAG

APPROVED

COMPLIANT WITH ABYC H-25

CUSTOMER APPROVAL	
NAME:	
DATE:	

PAGE 1 OF 2

NOTE: ALL EDGES R0.38

UNLESS OTHERWISE NOTED

© 2010 MOELLER MARINE PRODUCTS
ALL RIGHT RESERVED

THIS DRAWING AND THE ATTACHED DRAWINGS (AND THE DATA SHOWN THERON) IS CONFIDENTIAL AND PROPRIETARY AND SHALL NOT BE USED, DISCLOSED TO OTHERS, REPRODUCED FOR ANY PURPOSE EXCEPT FOR QUOTATION TO OR ORDER BY MOELLER MARINE PRODUCTS, INC. AND/OR IT'S SUBSIDIARIES WITHOUT THEIR WRITTEN CONSENT TO THE USE OF SUCH DRAWINGS AND/OR DATA.



DESCRIPTION	6 GALLON FUEL TANK		
PART #	620049LP	COLOR	RED
MATERIAL	HYPERIOR AND HDPE		
TOLERANCES	±1.5% UNLESS OTHERWISE NOTED		
WALL THK.	0.065" MINIMUM	DATE	4/20/12
DRAWN BY	CFN		

