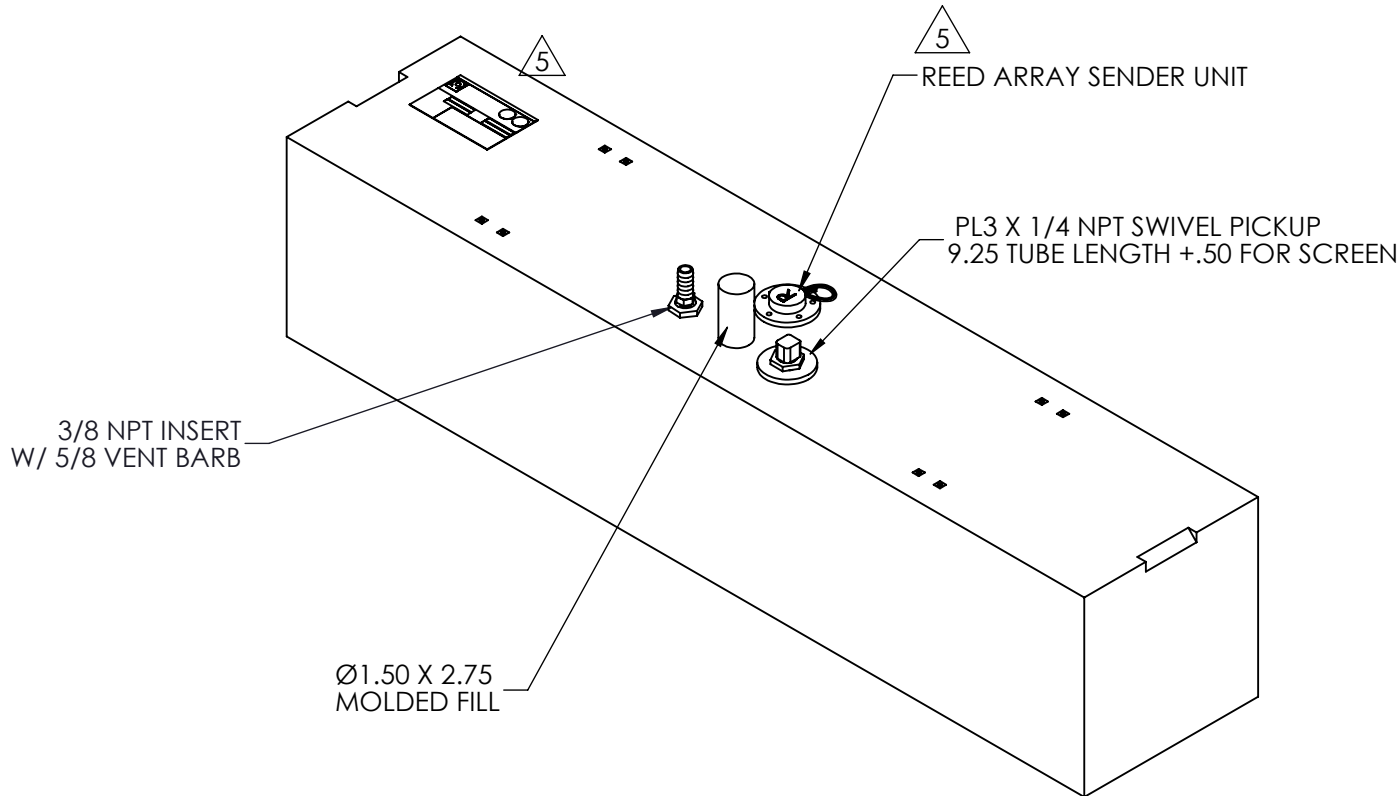


FUEL TANK INSTALLATION MUST ALLOW 3% GROWTH IN ALL DIRECTIONS. ANY DESIGNS NOT COMPLIANT WITH ABYC STANDARDS OR ARE CONSIDERED "GREY AREA" UNDER THESE STANDARDS WILL BE NOTED HERE IN. THIS PRINT AND ANY ATTACHED ARE PREPARED FOR CUSTOMER APPROVAL, PERFORMING THIS ACTION RELIEVES MOELLER MARINE PRODUCTS OF LIABILITY ASSOCIATED WITH TANK DESIGN.

REVISIONS			
REV.	DESCRIPTION	DATE	DRAFTER
1	REPLACED MOLDED FILL & VENT W/ INSERTS, REPLACED PICKUP W/ PL3 SERIES PICKUP	5/3/05	
2	ADD Ø2.50 BOSS AND GROUND TAB	10/3/05	
3	REPLACE ALUMINUM FILL W/ MOLDED	6/27/14	
4	ADD BRACKET INSERTS (8)	2/17/14	AMC
5	REPLACED ROUGH RIDER WITH REED ARRAY, REMOVED NMMA FROM LABEL	8/13/2015	KBN



PAGE 1 OF 3

© 2014 MOELLER MARINE PRODUCTS  
ALL RIGHT RESERVED

NOTE: ALL EDGES R0.38  
UNLESS OTHERWISE NOTED  
330 SHOT BLAST SURFACE TEXTURE  
1" DRAFT ON ALL EXTERIOR SURFACES AS NEEDED

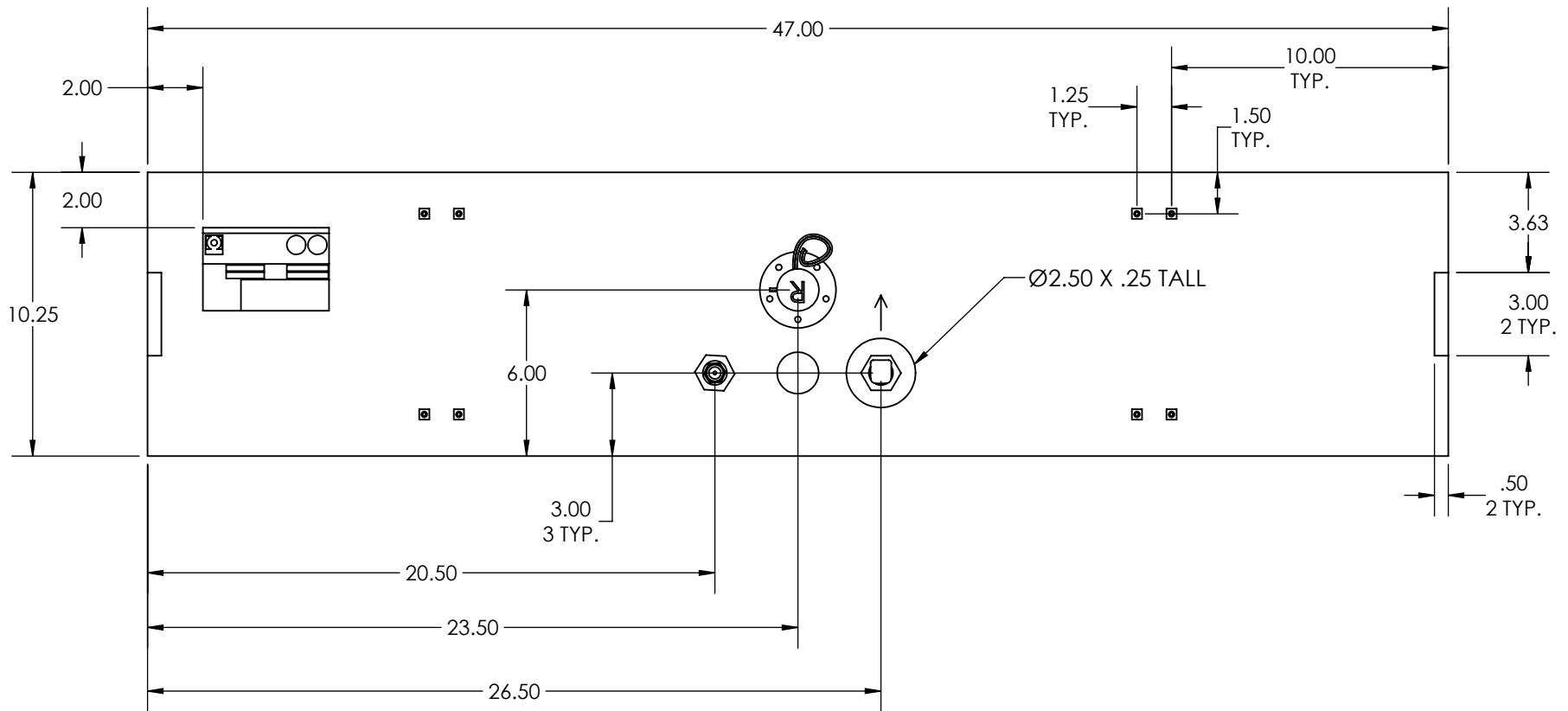
THIS DRAWING AND THE ATTACHED DRAWINGS (AND THE DATA SHOWN THERON) IS CONFIDENTIAL AND PROPRIETARY AND SHALL NOT BE USED, DISCLOSED TO OTHERS, REPRODUCED FOR ANY PURPOSE EXCEPT FOR QUOTATION TO OR ORDER BY MOELLER MARINE PRODUCTS, INC. AND/OR IT'S SUBSIDIARIES WITHOUT THEIR WRITTEN CONSENT TO THE USE OF SUCH DRAWINGS AND/OR DATA.

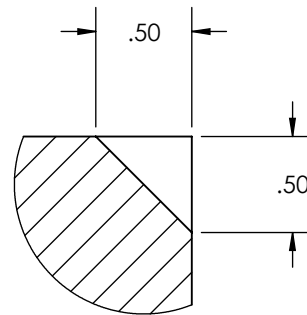
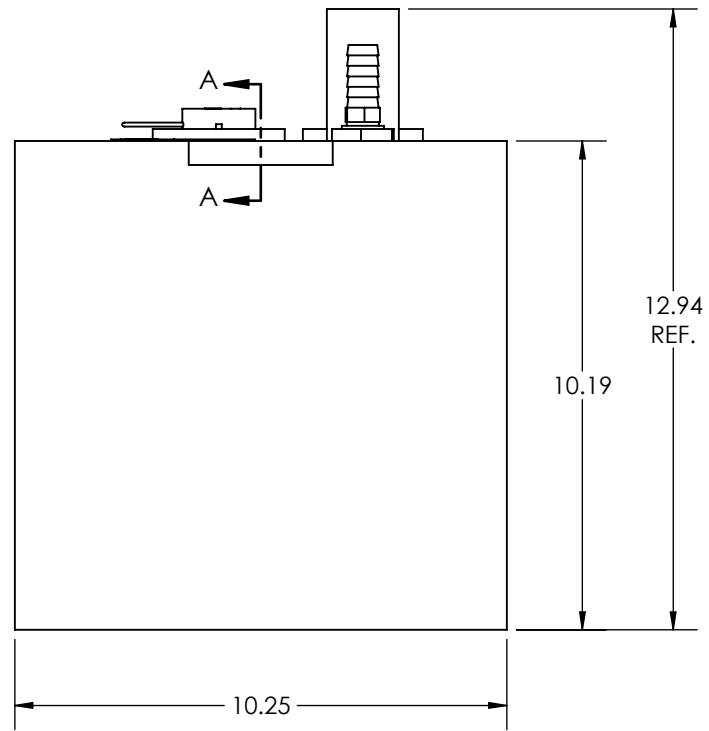
CUSTOMER PART # TBD

CUSTOMER APPROVAL  
**APPROVED**



DESCRIPTION	≤19 GALLON FUEL TANK (032719)		
PART #	FT1997-R5	COLOR	NATURAL
MATERIAL	CROSSLINK POLYETHYLENE		
TOLERANCES	±1.5 % UNLESS OTHERWISE NOTED		
WALL THK.	0.200" NOMINAL	DATE	2/17/2014
DRAWN BY	MOELLER ENGINEERING		





SECTION A-A