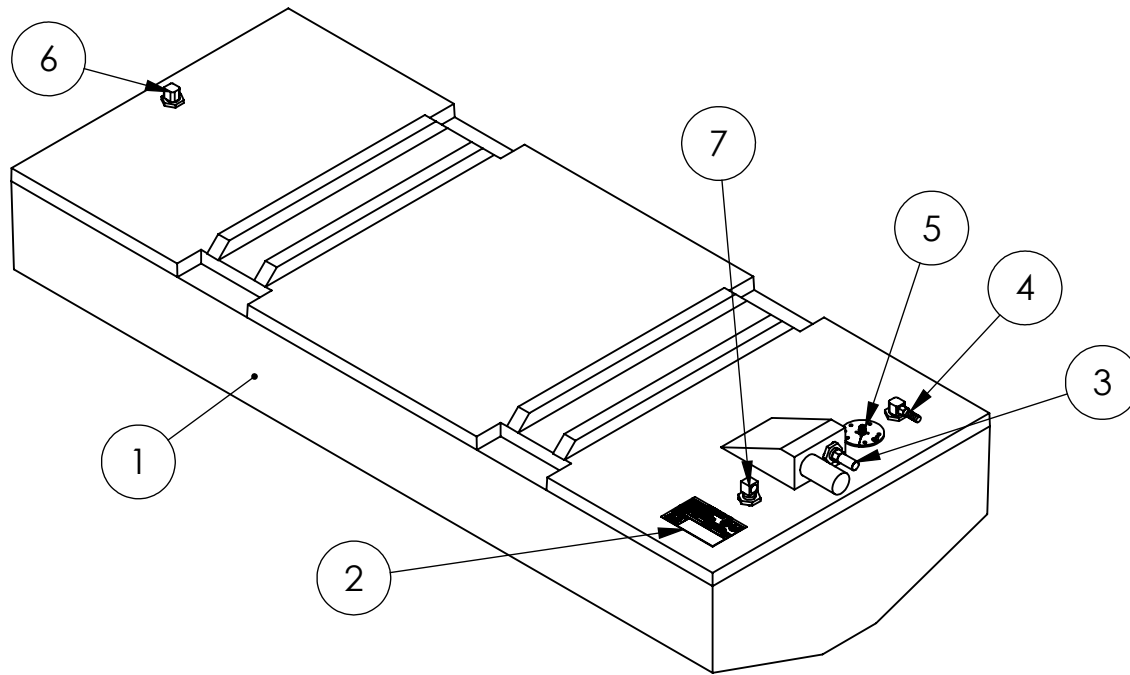


| ITEM NO. | PART NUMBER | DESCRIPTION | QTY. | NO. | REVISION | DATE |
|----------|----------------------------|---------------------|------|-----|----------|------|
| 1 | FTA000648 | 60 GALLON TANK | 1 | 1 | | |
| 2 | MOLDED LABEL 2010 | LABEL | 1 | | | |
| 3 | 3/8 NPT INSERT W/ 5/8 BARB | VENT | 1 | | | |
| 4 | PL3PICKW38BARB | PICKUP | 1 | | | |
| 5 | ROCHESTER ROUGH RIDER | SENDER | 1 | | | |
| 6 | PL3PICKNB | VENT W/ ALUM PLUG | 1 | | | |
| 7 | RETURN38NB | RETURN W/ ALUM PLUG | 1 | | | |



SHARES BOTTOM MOLD WITH FT6017

| |
|-------------------|
| CUSTOMER APPROVAL |
| NAME: |
| DATE: |

PAGE 1 OF 3

NOTE: ALL EDGES R0.38

UNLESS OTHERWISE NOTED

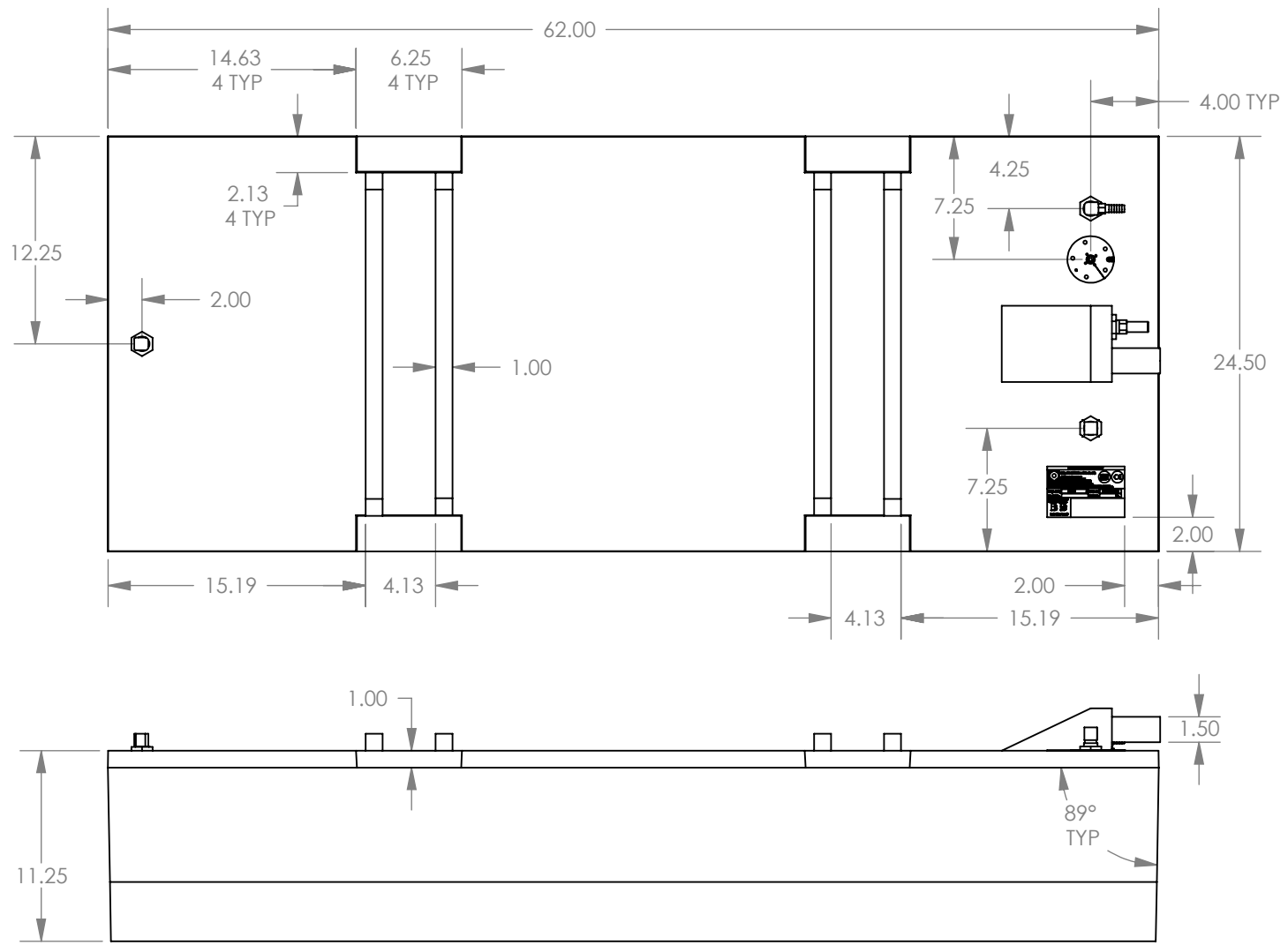
© 2008 MOELLER MARINE PRODUCTS
ALL RIGHT RESERVED

THIS DRAWING AND THE ATTACHED DRAWINGS (AND THE DATA SHOWN THERON) IS CONFIDENTIAL AND PROPRIETARY AND SHALL NOT BE USED, DISCLOSED TO OTHERS, REPRODUCED FOR ANY PURPOSE EXCEPT FOR QUOTATION TO OR ORDER BY MOELLER MARINE PRODUCTS, INC. AND/OR IT'S SUBSIDIARIES WITHOUT THEIR WRITTEN CONSENT TO THE USE OF SUCH DRAWINGS AND/OR DATA.

CUSTOMER PART #



| | | | |
|-------------|------------------------------|-------|---------|
| DESCRIPTION | 60 GALLON FUEL TANK | | |
| PART # | FTA000648 | COLOR | NATURAL |
| MATERIAL | CROSSLINK POLYETHYLENE | | |
| TOLERANCES | ±1.5% UNLESS OTHERWISE NOTED | | |
| WALL THK. | 0.235" NOMINAL | DATE | 9/10/10 |
| DRAWN BY | MOELLER ENGINEERING | | |



NOTE: DOGHOUSE IS 6.50 LONG, 4.50 WIDE, AND 2.50 TALL W/ A 1.25 TOP FLAT
 RIBS ARE 1.00 TALL, 1.00 WIDE, AND BEVELED 45° AT EACH END.
 FILL IS Ø1.50 X 2.75

