

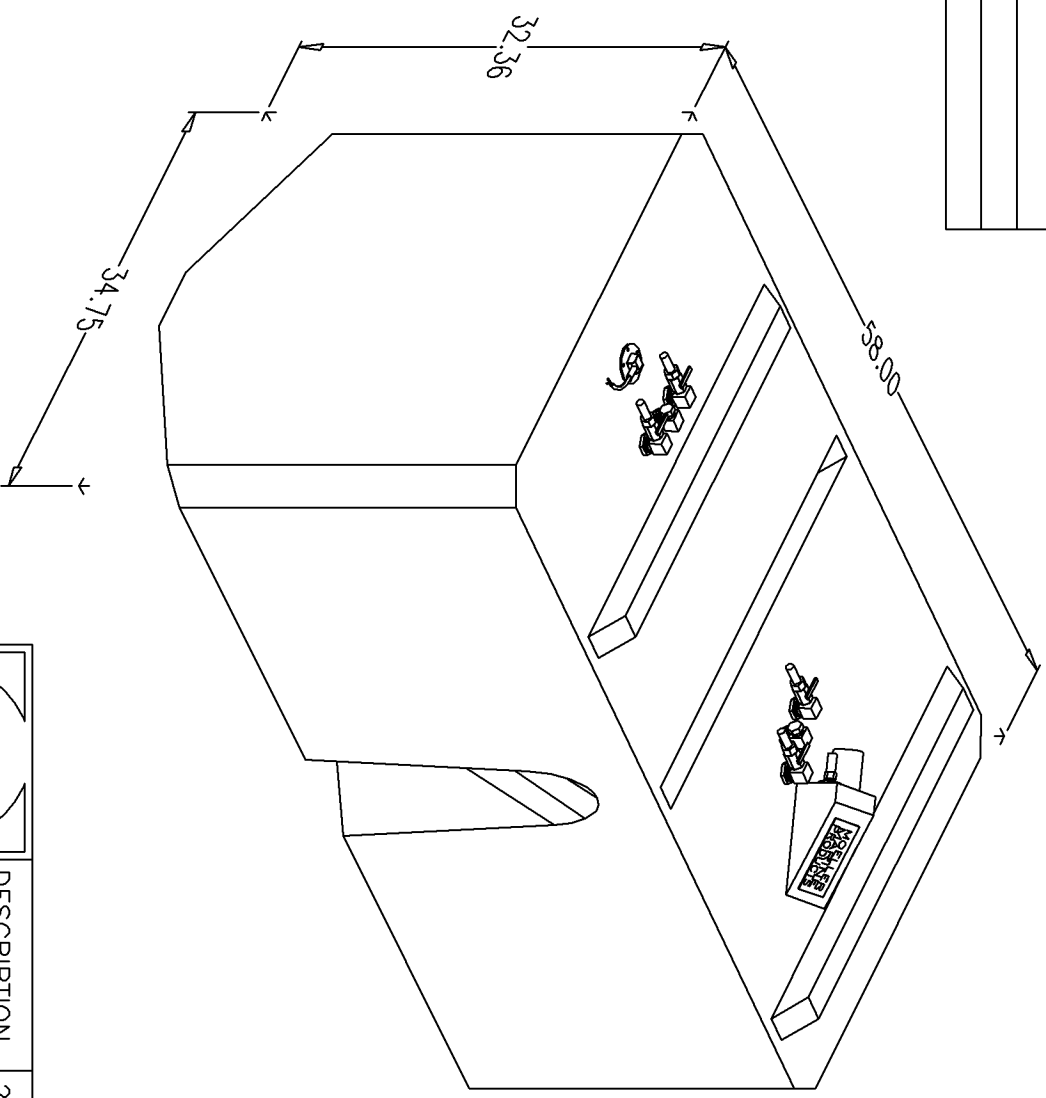
# BILL of MATERIALS

Qty.	DESCRIPTION
1	31.00" SS WEMA SENDER
2	1/2 NPT PICKUPS w/ SHUT-OFF w/ 3/8 BARB (TUBE 31.32")
1	1/2 NPT PICKUP w/ 1/4 NPT ALUM. PLUG (TUBE 31.32")
1	1/2 NPT RETURNS w/ SHUT-OFF w/ 3/8 BARB (TUBE 30.86")
1	1/2 NPT RETURNS w/ 1/4 NPT ALUM. PLUG (TUBE 30.86")
1	1/2 NPT RETURNS w/ SHUT-OFF w/ 3/8 BARB (TUBE 30.29")
1	3/8 NPT INSERT w/ 5/8" BARB (VENT)
1	Ø2.00" x 2.75" MOLDED FILL
	OVERALL HEIGHT 34.65"

NO.

REVISION

DATE

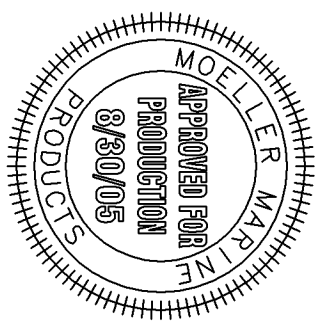


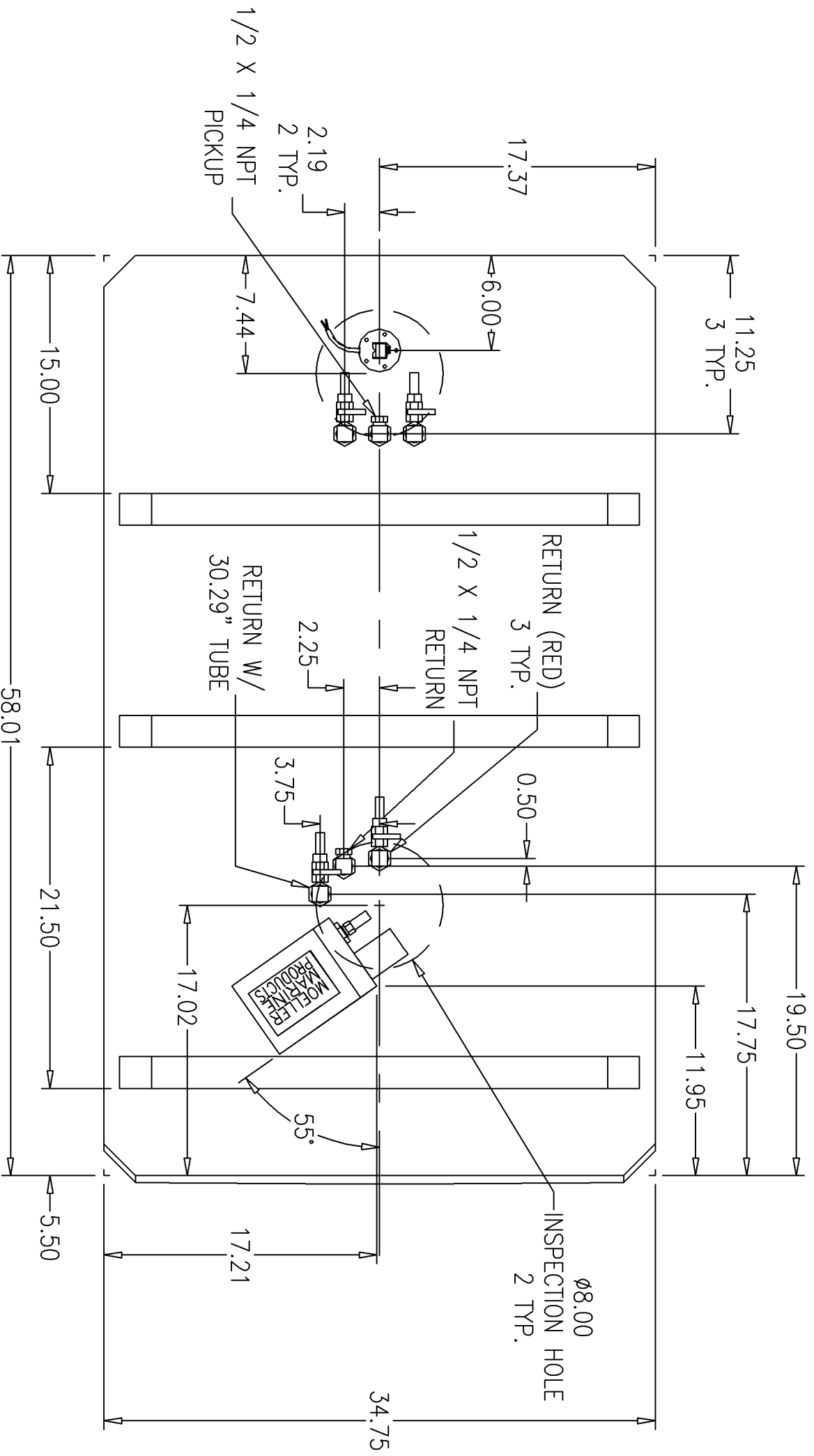
NOTE: ALL EDGES R0.38  
UNLESS OTHERWISE NOTED

PAGE 1 OF 6

THIS DRAWING AND THE ATTACHED DRAWINGS (AND THE DATA SHOWN THEREON) IS CONFIDENTIAL AND PROPRIETARY AND SHALL NOT BE USED, DISCLOSED TO OTHERS, REPRODUCED FOR ANY PURPOSE EXCEPT FOR QUOTATION TO OR ORDER BY MOELLER MARINE PRODUCTS, INC. AND/OR IT'S SUBSIDIARIES WITHOUT THEIR WRITTEN CONSENT TO THE USE OF SUCH DRAWINGS AND/OR DATA.

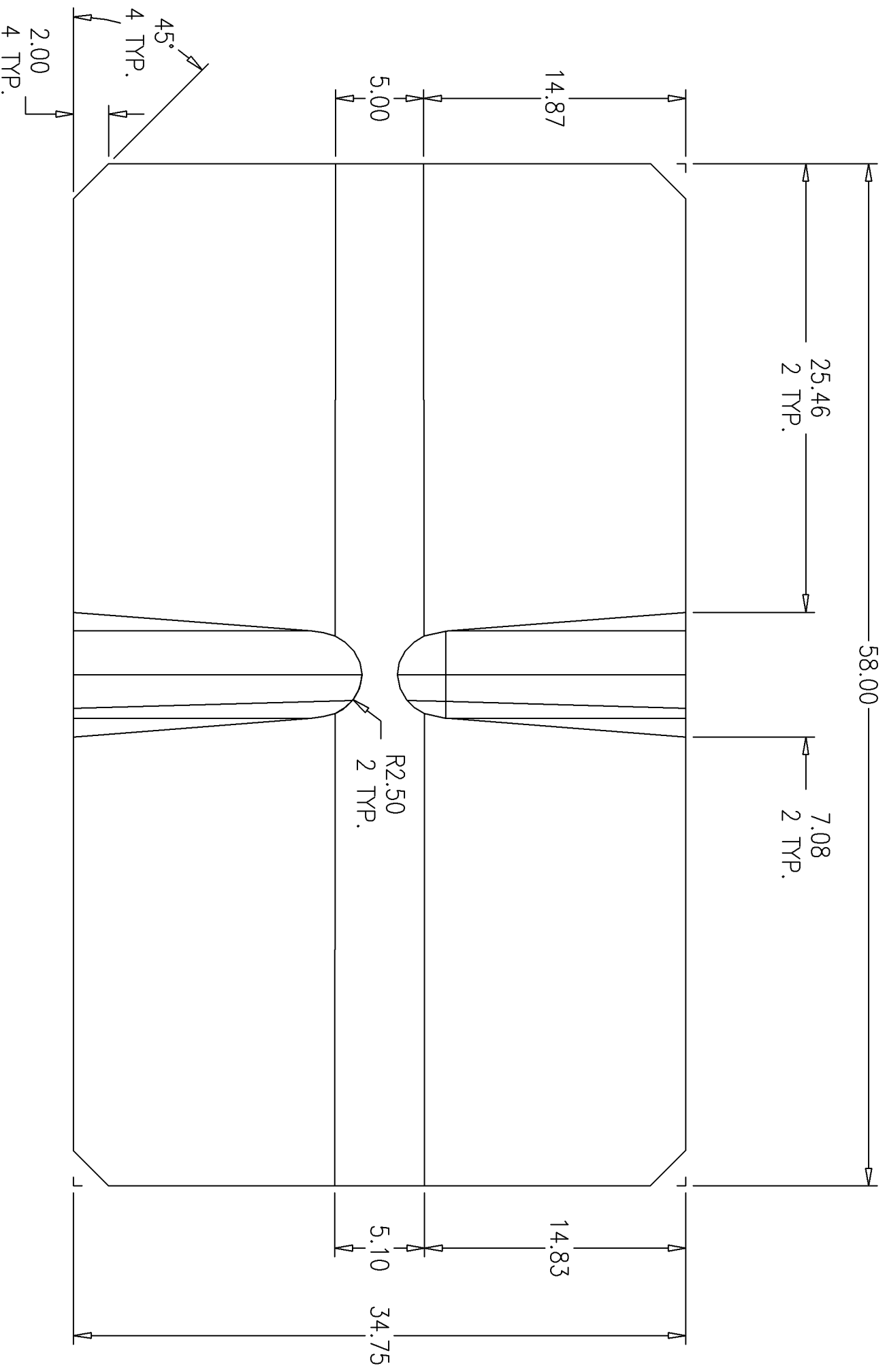
		DESCRIPTION	230 GALLON DIESEL FUEL TANK
		PART #	FT23001S-1   COLOR CHEVRON BLUE
MATERIAL		CROSSLINK POLYETHYLENE	
TOLERANCES		±1.5% UNLESS OTHERWISE NOTED	
WALL THK.		0.300" NOMINAL   DATE 8/30/05	
DRAWN BY		MOELLER ENGINEERING	



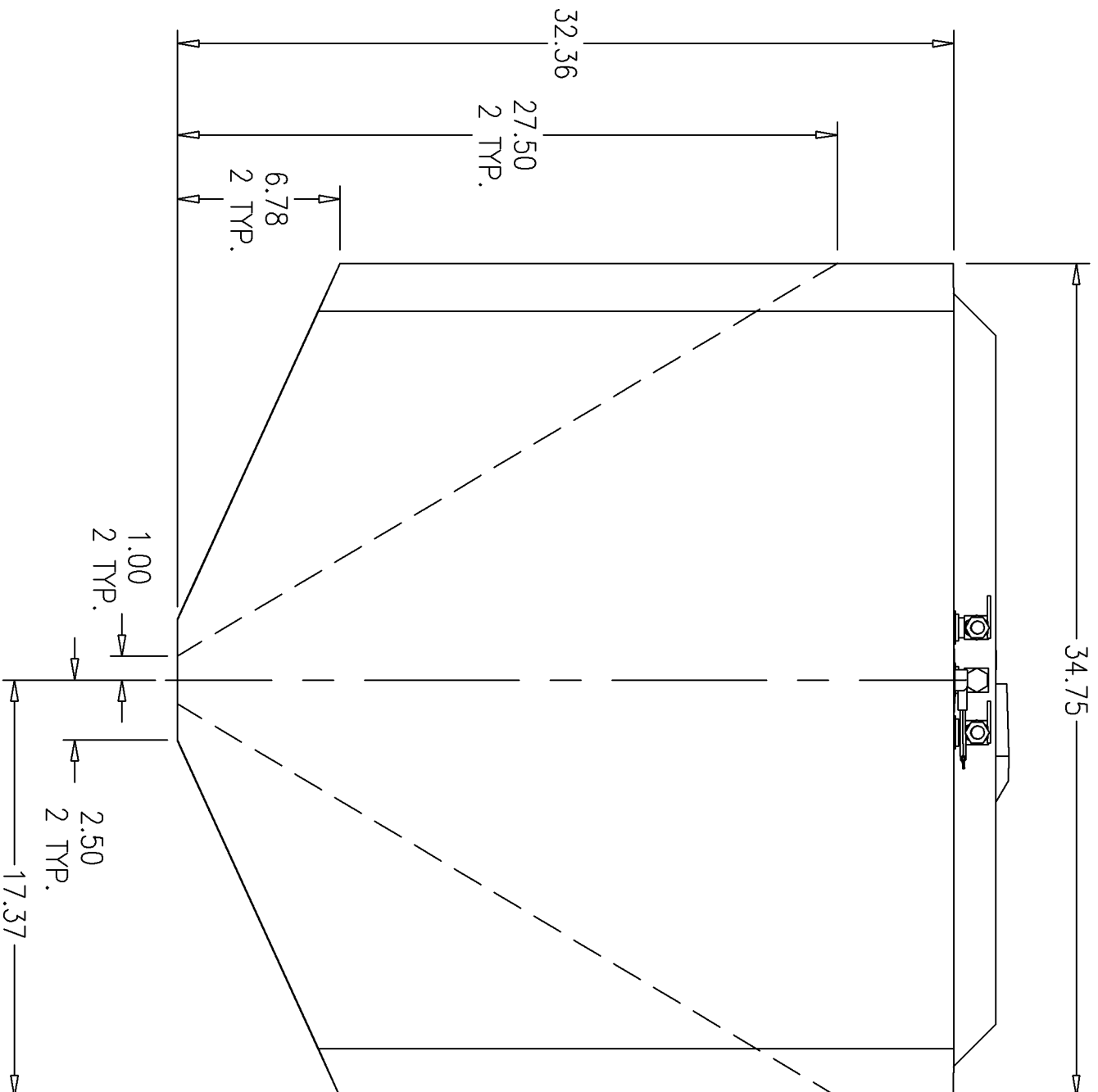


NOTE: DOGHOUSE IS 7.50" LONG, 5.25" WIDE, 3.00" TALL, & HAS A 1.25" TOP FLAT.  
 EXTERNAL RIBS ARE 2.00" WIDE, 2.00" TALL, 1.00" FROM EDGE OF TANK, AND BEVELED 45° AT ENDS.  
 CENTER RIB IS INTERNAL AND IS 2.00" WIDE, 2.00" DEEP, 1.00" FROM EDGE OF TANK, AND BEVELED 45° AT ENDS.  
 DIMENSIONS ARE ALIGNED TO TOP PLANE.

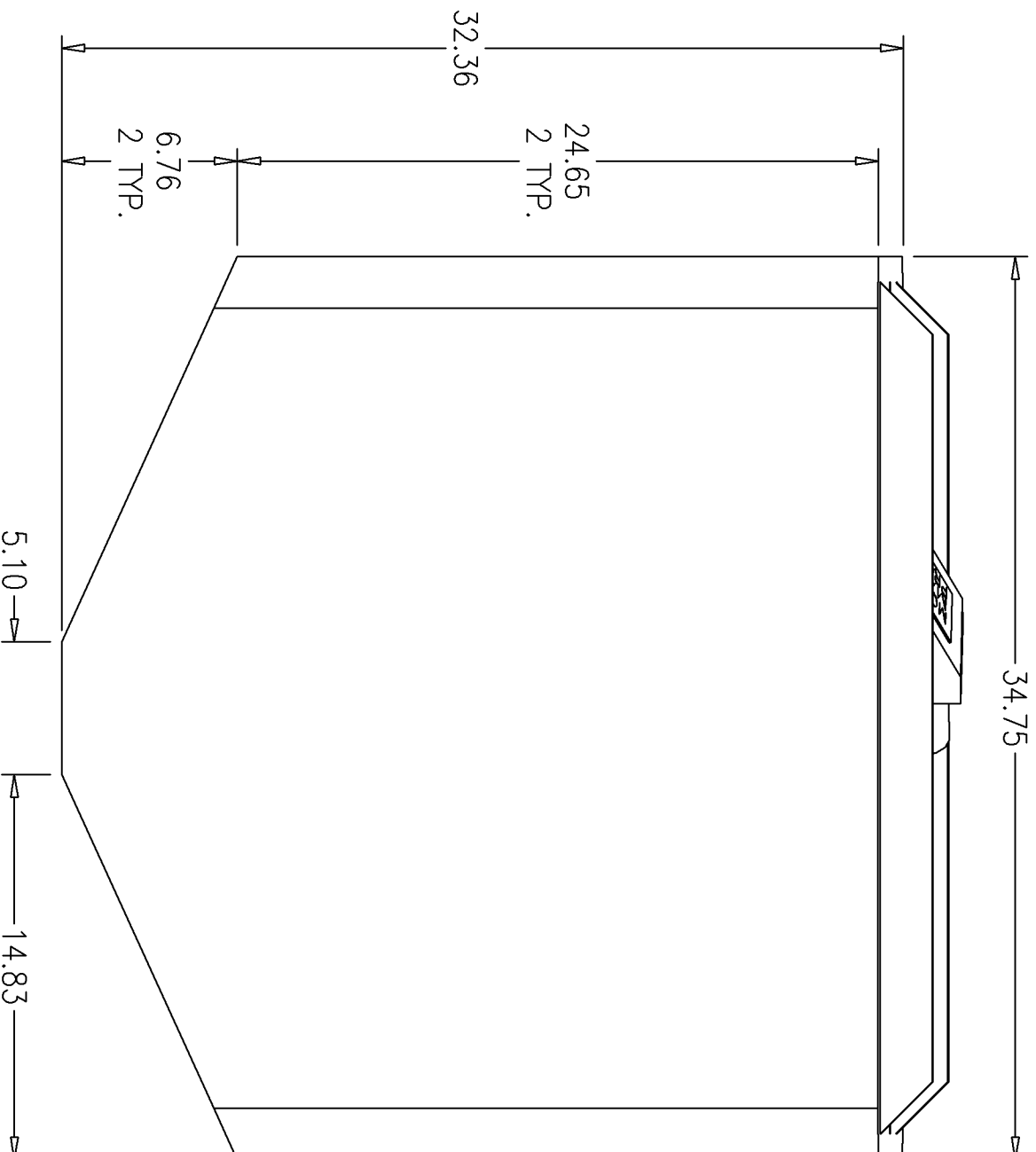
TOP VIEW  
 8/30/05



BOTTOM VIEW  
8/30/05



LEFT VIEW  
8/30/05



RIGHT VIEW  
8/30/05

