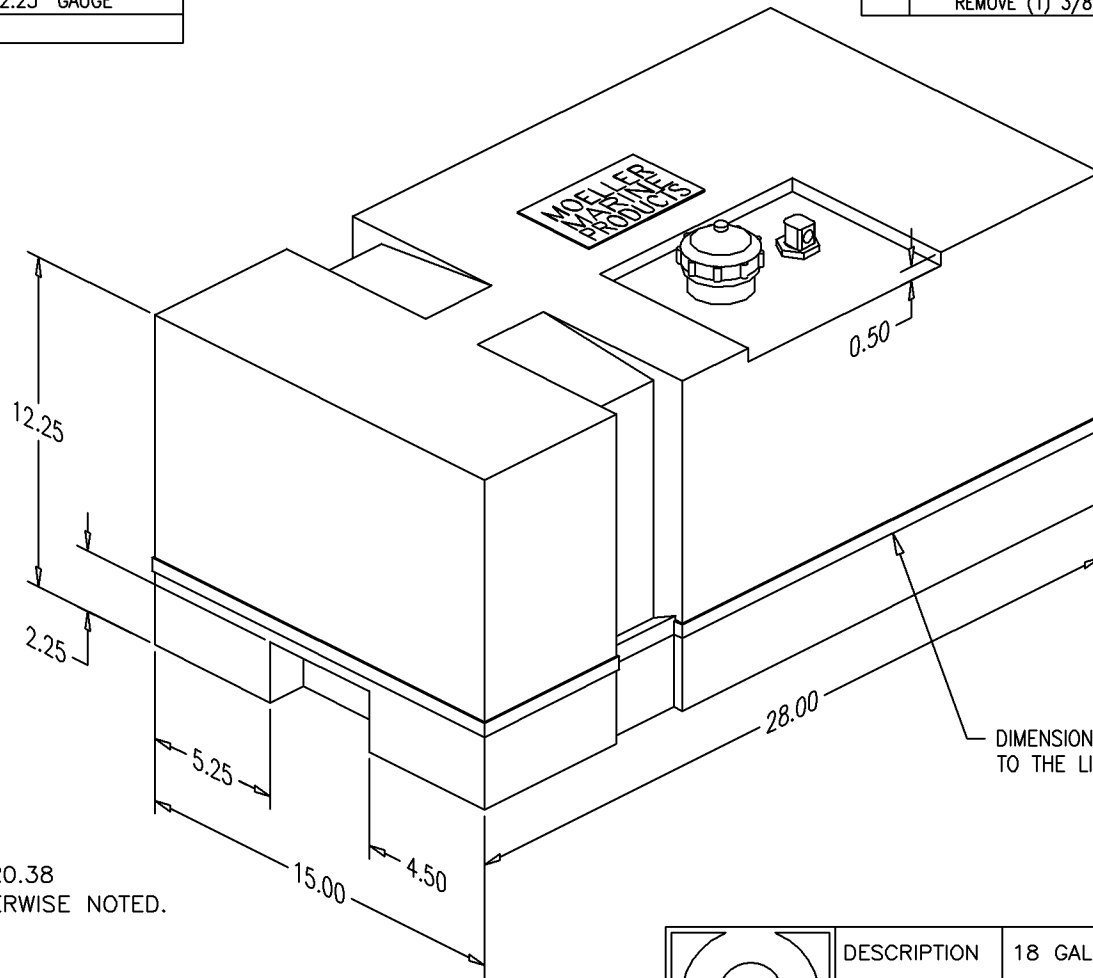


BILL of MATERIALS	
Qty.	DESCRIPTION
1	PL3 PICKUP W/O BARB
1	Ø2.25" KELCH CAP W/ 12.25" GAUGE
	OVERALL HEIGHT 13.13"

NO.	REVISION	DATE
1	REPLACE MOLED THREAD W/ SM MOLDED-IN INSERT.	3/10/05
2	REPLACE SM. MOLDED-IN INSERT W/ MOLDED KELCH	1/3/06
3	REPLACE 3/8 NPT PICKUP W/ PL3 PICKUP, REMOVE (1) 3/8 NPT INSERT W/ 3/8 PLUG	7/19/06

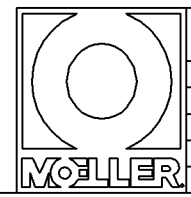


DIMENSIONS ARE TO THE WALLS NOT TO THE LIP UNLESS OTHERWISE NOTED

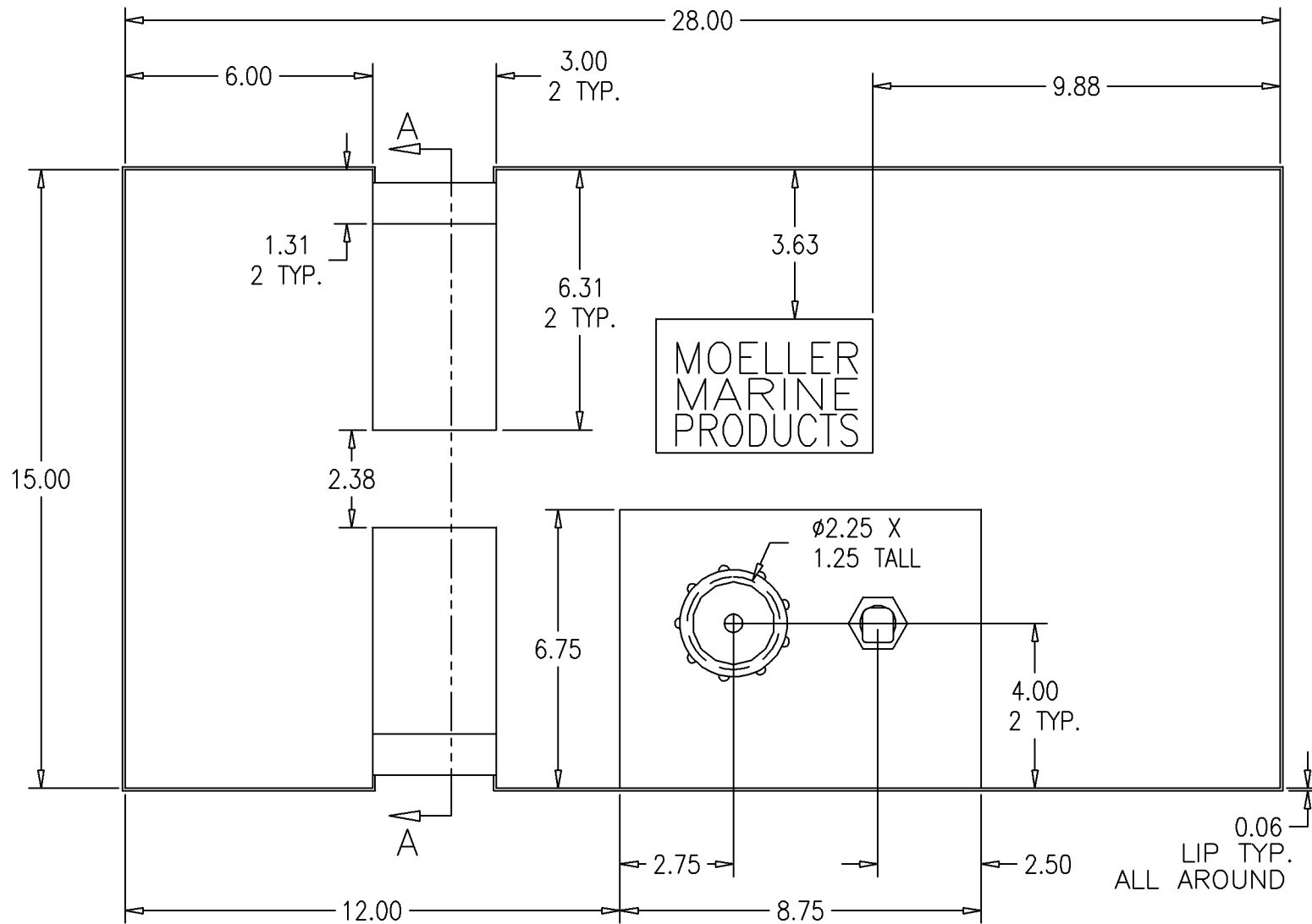
NOTE: ALL EDGES R0.38 UNLESS OTHERWISE NOTED.

PAGE 1 OF 4

THIS DRAWING AND THE ATTACHED DRAWINGS (AND THE DATA SHOWN THERON) IS CONFIDENTIAL AND PROPRIETARY AND SHALL NOT BE USED, DISCLOSED TO OTHERS, REPRODUCED FOR ANY PURPOSE EXCEPT FOR QUOTATION TO OR ORDER BY MOELLER MARINE PRODUCTS, INC. AND/OR IT'S SUBSIDIARIES WITHOUT THEIR WRITTEN CONSENT TO THE USE OF SUCH DRAWINGS AND/OR DATA.



DESCRIPTION	18 GALLON FUEL TANK (FT2096)		
PART #	031620	COLOR	RED
MATERIAL	CROSSLINK POLYETHYLENE		
TOLERANCES	±1.5% UNLESS OTHERWISE NOTED		
WALL THK.	0.200" NOMINAL	DATE	7/19/06
DRAWN BY	MOELLER ENGINEERING		



NOTE: LABEL IS CENTERED BETWEEN KELCH NECK AND THE EDGE OF THE TANK

