

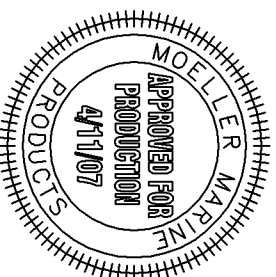
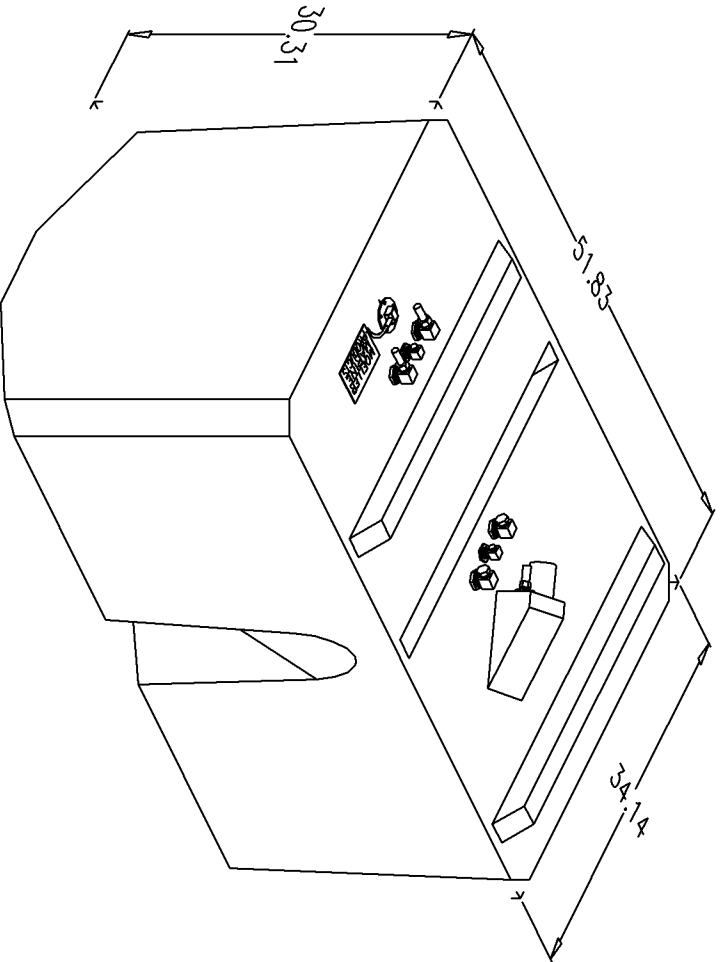
BILL of MATERIALS

Qty.	DESCRIPTION
1	29.00" SS WEMA SENDER
2	1/2 NPT PICKUPS W/ 1/2" ASV CAL TO 15 (TUBES 29.11" W/ SCRNS)
1	1/2 NPT RETURN W/ 1/2 NPT PLUG (TUBE 29.08" NO SCRNS)
1	1/2 NPT RETURN W/ 1/2 NPT PLUG (TUBE 28.23" NO SCRNS)
1	3/8 NPT PICKUP W/ 1/4 NPT PLUG (TUBE 29.11" W/ SCRNS)
1	3/8 NPT RETURN W/ 1/4 NPT PLUG (TUBE 29.08" NO SCRNS)
1	3/8 NPT INSERT W/ 5/8" BARB (VENT)
1	Ø2.00" x 2.75" MOLDED FILL
OVERALL HEIGHT 32.36"	

NO.

REVISION

DATE



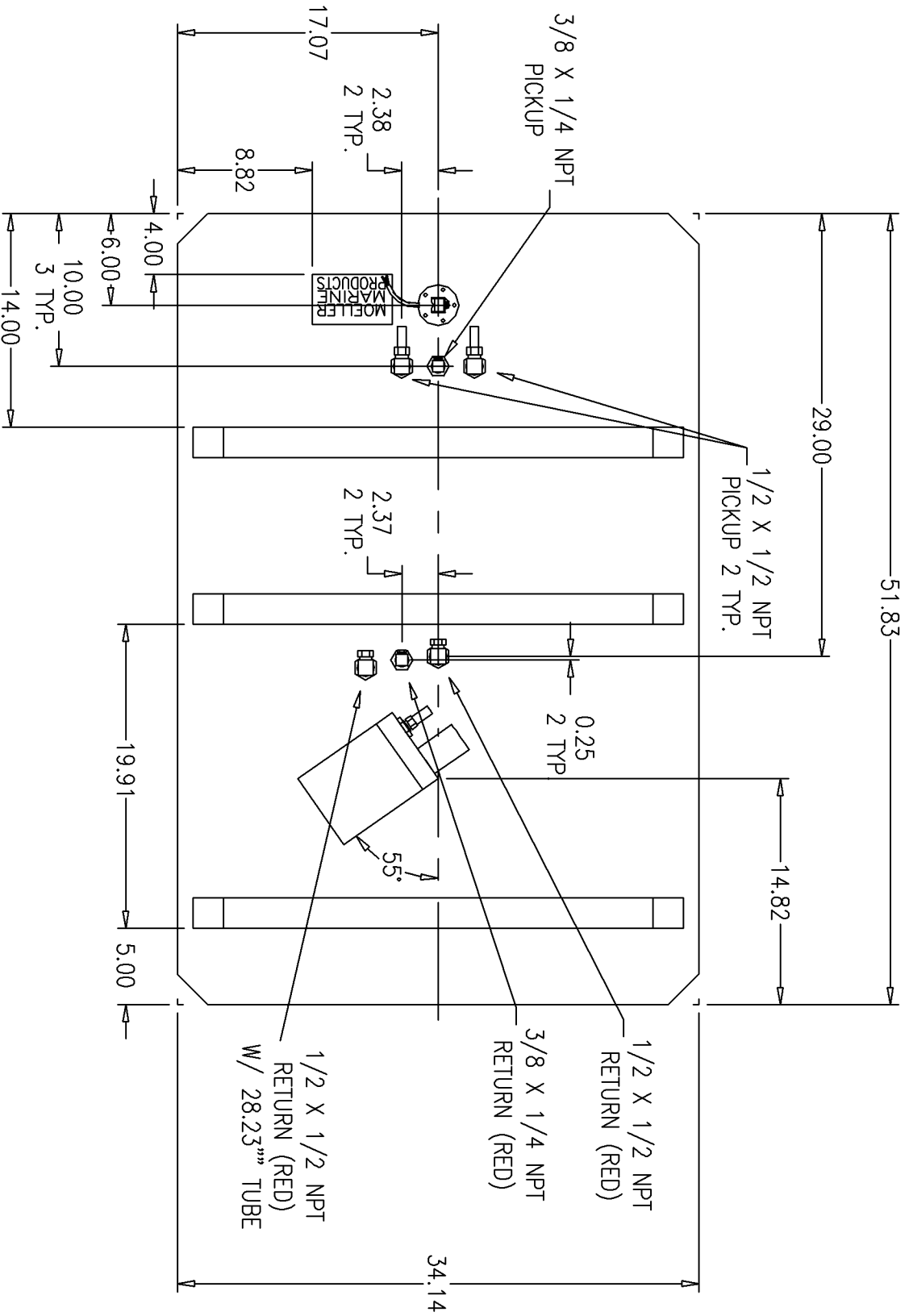
NOTE: ALL EDGES R0.38
UNLESS OTHERWISE NOTED

PAGE 1 OF 5

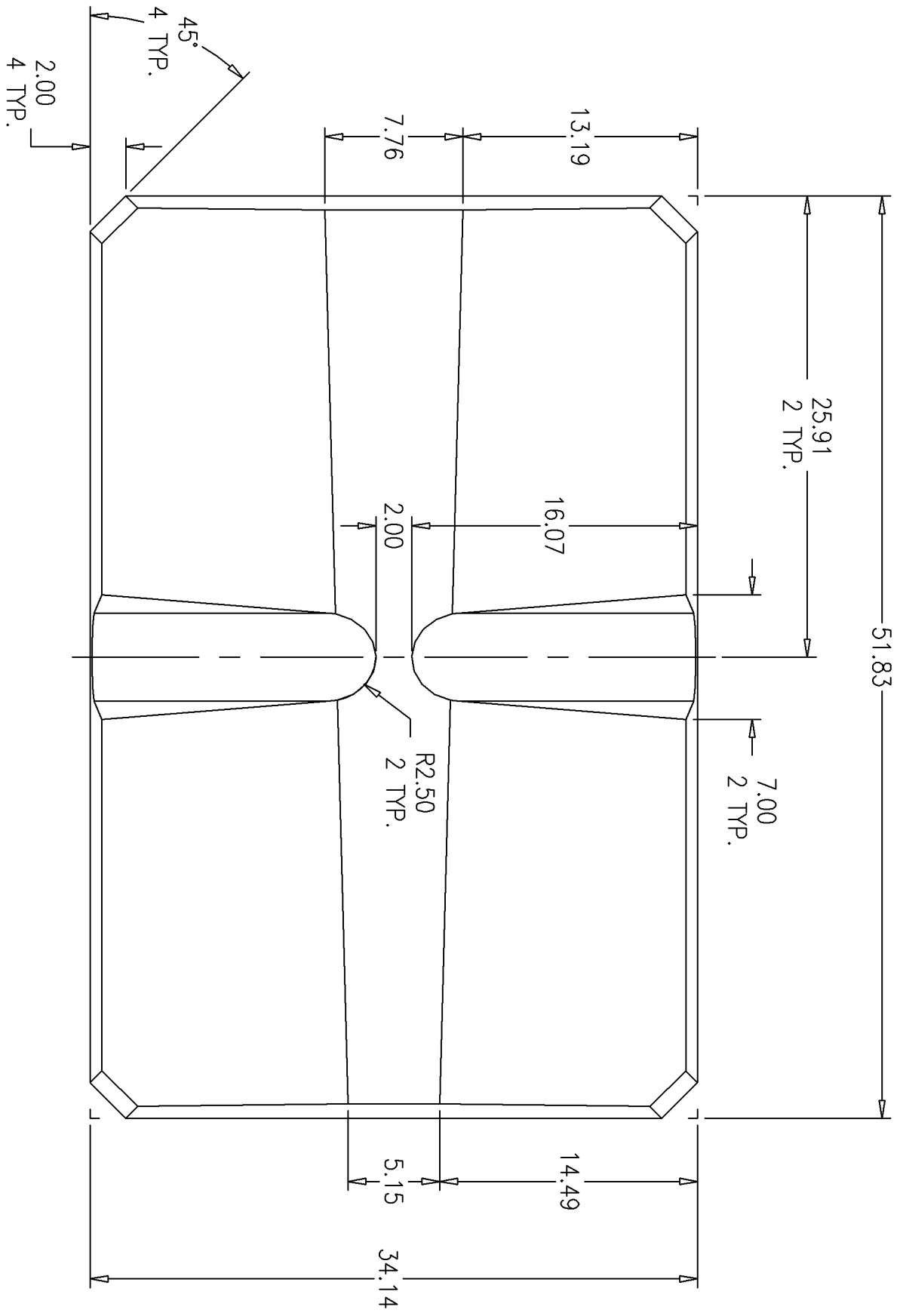
THIS DRAWING AND THE ATTACHED DRAWINGS (AND THE DATA SHOWN THEREON) IS CONFIDENTIAL AND PROPRIETARY AND SHALL NOT BE USED, DISCLOSED TO OTHERS, REPRODUCED FOR ANY PURPOSE EXCEPT FOR QUOTATION TO OR ORDER BY MOELLER MARINE PRODUCTS, INC. AND/OR ITS SUBSIDIARIES WITHOUT THEIR WRITTEN CONSENT TO THE USE OF SUCH DRAWINGS AND/OR DATA.



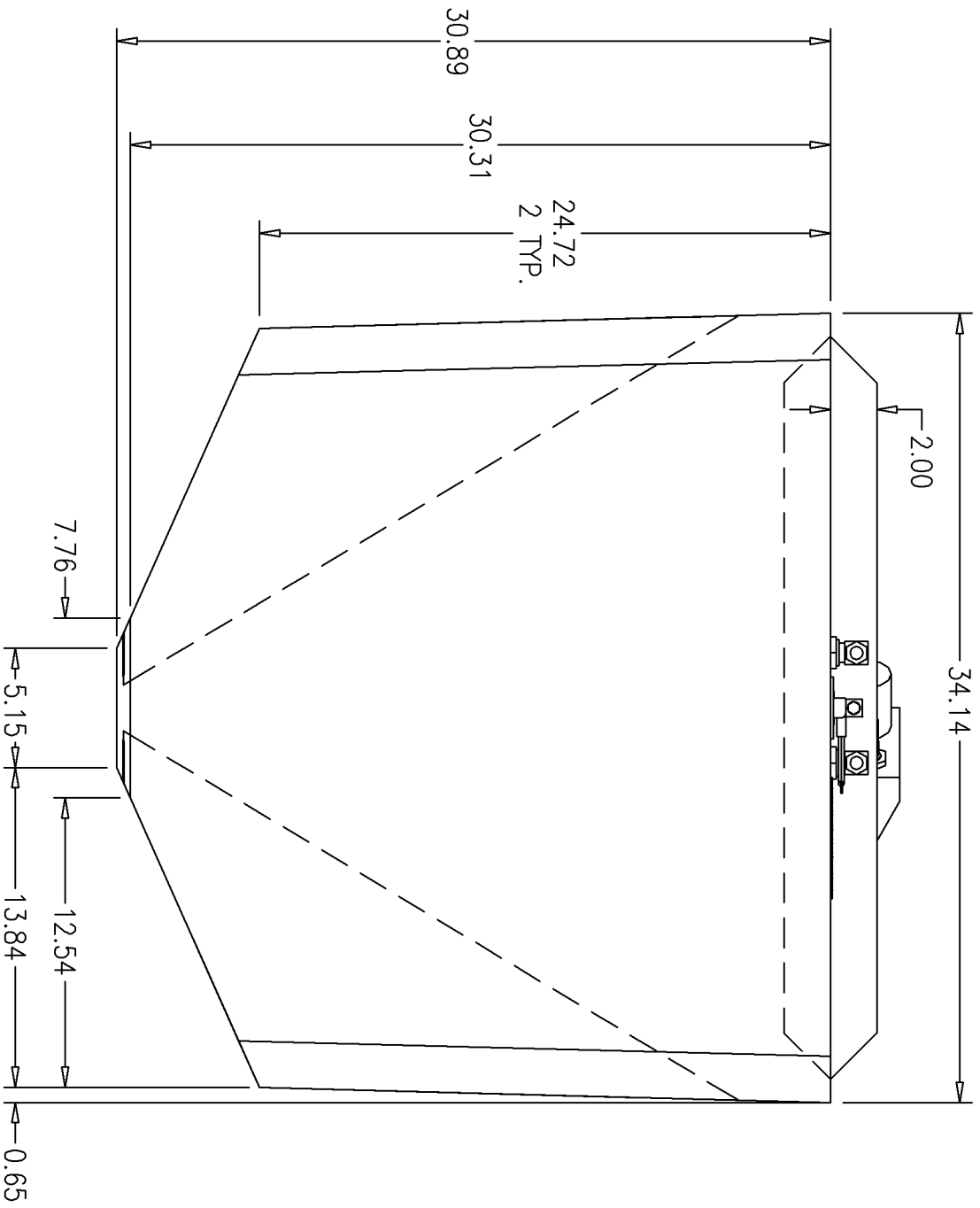
DESCRIPTION	189 GALLON FUEL TANK		
PART #	FT18901	COLOR	NATURAL
MATERIAL	CROSSLINK POLYETHYLENE		
TOLERANCES	±1.5% UNLESS OTHERWISE NOTED		
WALL THK.	0.275" NOMINAL	DATE	4/11/07
DRAWN BY	MOELLER ENGINEERING		

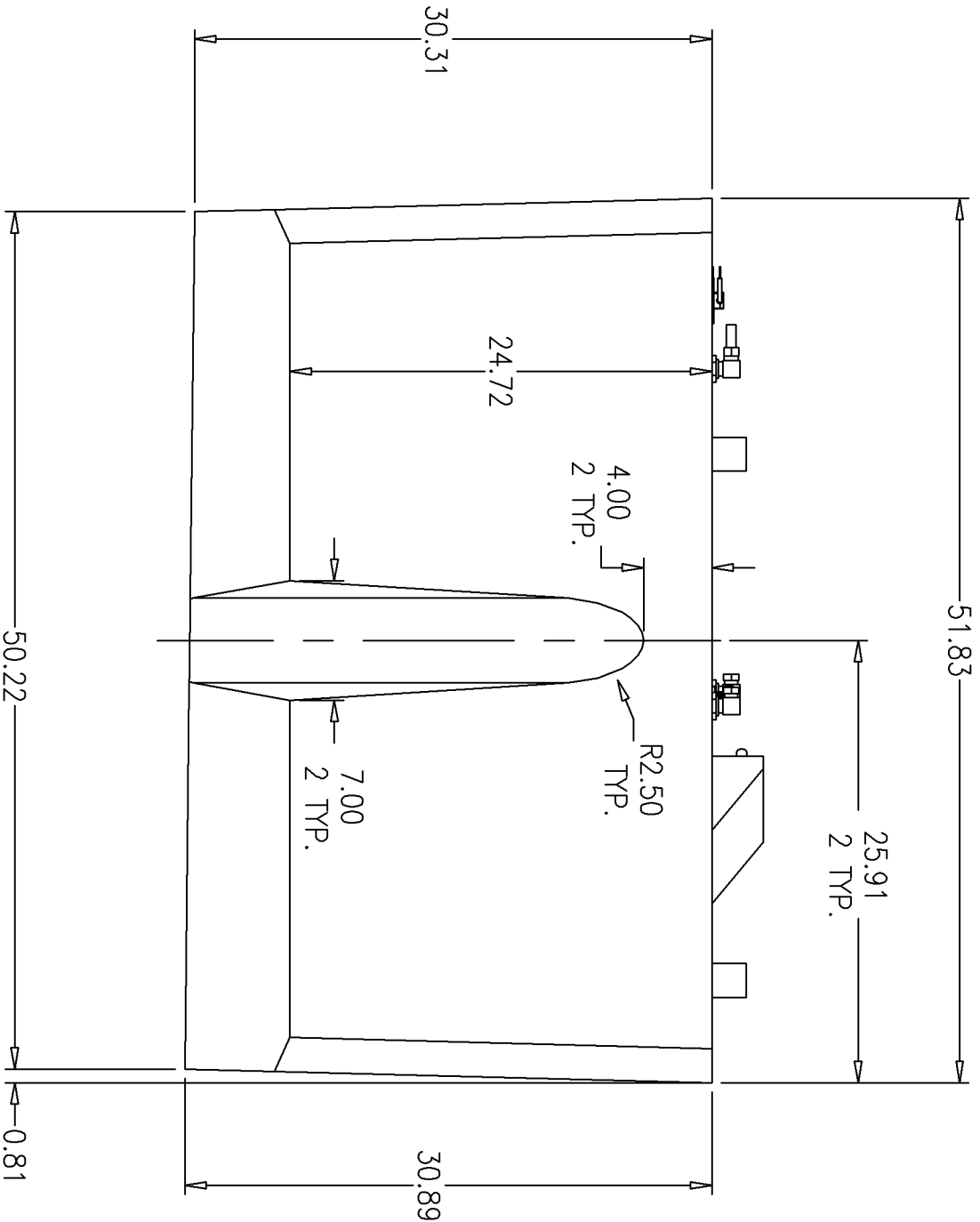


NOTE: DOGHOUSE IS 7.55" LONG, 5.25" WIDE, 3.00" TALL, & HAS A 1.25" TOP FLAT.
 EXTERNAL RIBS ARE 2.00" WIDE, 2.00" TALL, 1.00" FROM EDGE OF TANK, AND BEVELED 45° AT ENDS.
 CENTER RIB IS INTERNAL AND IS 2.00" WIDE, 2.00" DEEP, 1.00" FROM EDGE OF TANK, AND BEVELED 45° AT ENDS.



BOTTOM VIEW
 4/11/07





FRONT VIEW
4/11/07