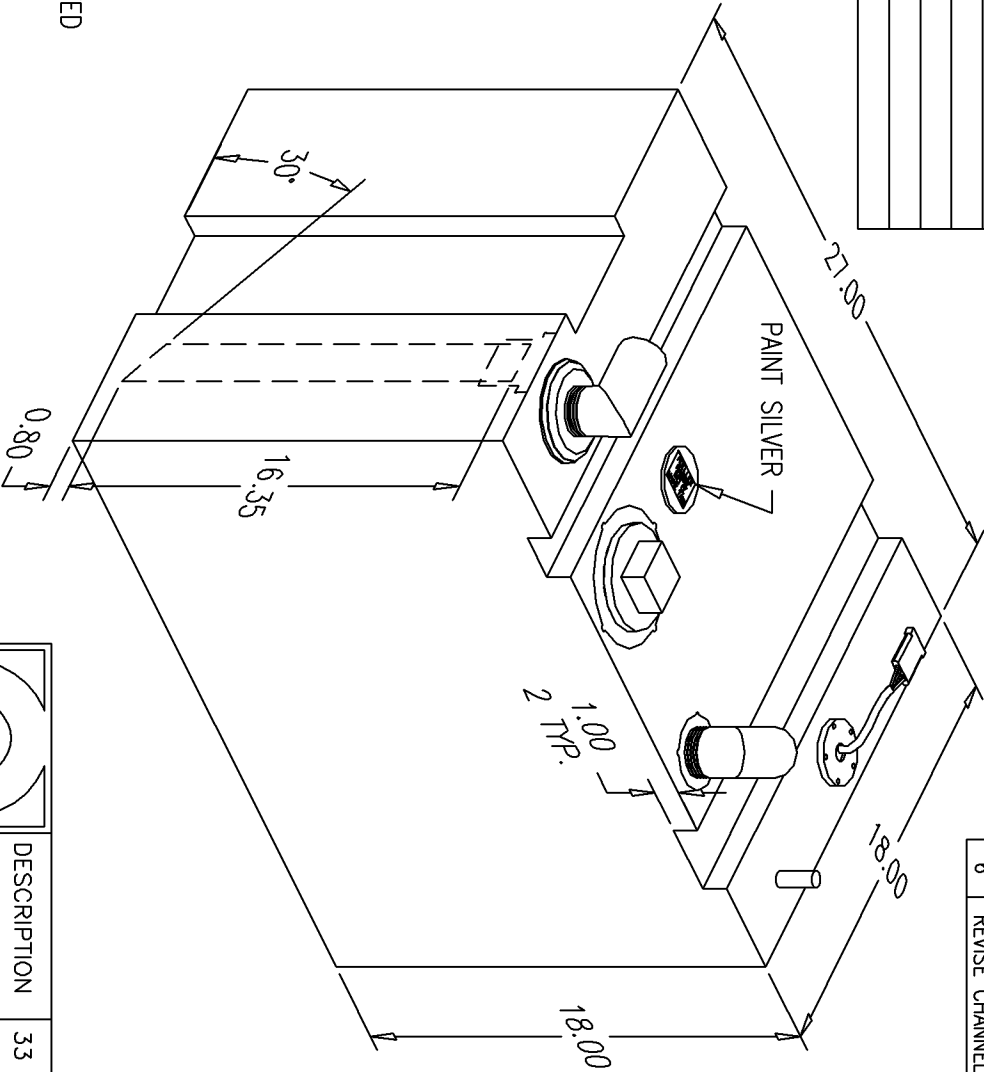


# BILL of MATERIALS

Qty.	DESCRIPTION
1	16.00" HDI WASTE SENDER
1	3 NPT FLUSH SPIN FITTING W/ CANPLAS FLUSH PLUG
1	1-1/2 NPT FLUSH SPIN FITTING W/ 1.50" SIERRA ELBOW
1	2.00" RUBBER GROMMET
1	2.00" - 1.50" REDUCER
1	1.50" PVC PIPE (16.35")
1	1-1/2 NPT X 1.50" SIERRA ELBOW
	Ø0.63" X 1.50" MOLDED BARB
	OVERALL TANK HEIGHT 19.50"

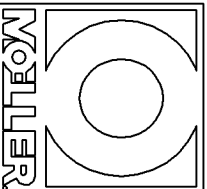


NO.	REVISION	DATE
1	UPDATE BOM & PRINT W/ FLUSH 1.50 SPIN FITTINGS.	10/2/02
2	ADD 3.00 NPT SPIN FITTING W/ PLUG, MOVE FITTING, & REPLACE (1) FITTING/ELBOW W/ PVC ASSY.	1/13/04
3	REPLACE FLUSH PLUG W/ CANPLAS FLUSH PLUG.	9/8/04
4	CHANGED PVC TUBE LENGTH	1/18/06
5	ADD IMCI CE LABEL & CHANGE COLOR TO GRAY	7/20/06
6	REVISE CHANNEL RECESS & RELOCATE ELBOW ASSY	12/18/06

NOTE: ALL EDGES R0.38  
UNLESS OTHERWISE NOTED

PAGE 1 OF 2

THIS DRAWING AND THE ATTACHED DRAWINGS (AND THE DATA SHOWN THEREON) IS CONFIDENTIAL AND PROPRIETARY AND SHALL NOT BE USED, DISCLOSED TO OTHERS, REPRODUCED FOR ANY PURPOSE EXCEPT FOR QUOTATION TO OR ORDER BY MOELLER MARINE PRODUCTS, INC. AND/OR ITS SUBSIDIARIES WITHOUT THEIR WRITTEN CONSENT TO THE USE OF SUCH DRAWINGS AND/OR DATA.



DESCRIPTION	33 GALLON WASTE TANK
PART #	WT3302F-10
MATERIAL	COLOR GRAY
TOLERANCES	LINEAR POLYETHYLENE
WALL THK.	±1.5% UNLESS OTHERWISE NOTED
DRAWN BY	0.300" NOMINAL
	DATE 1/11/07
	MOELLER ENGINEERING

