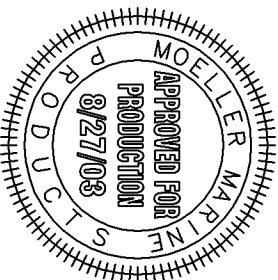
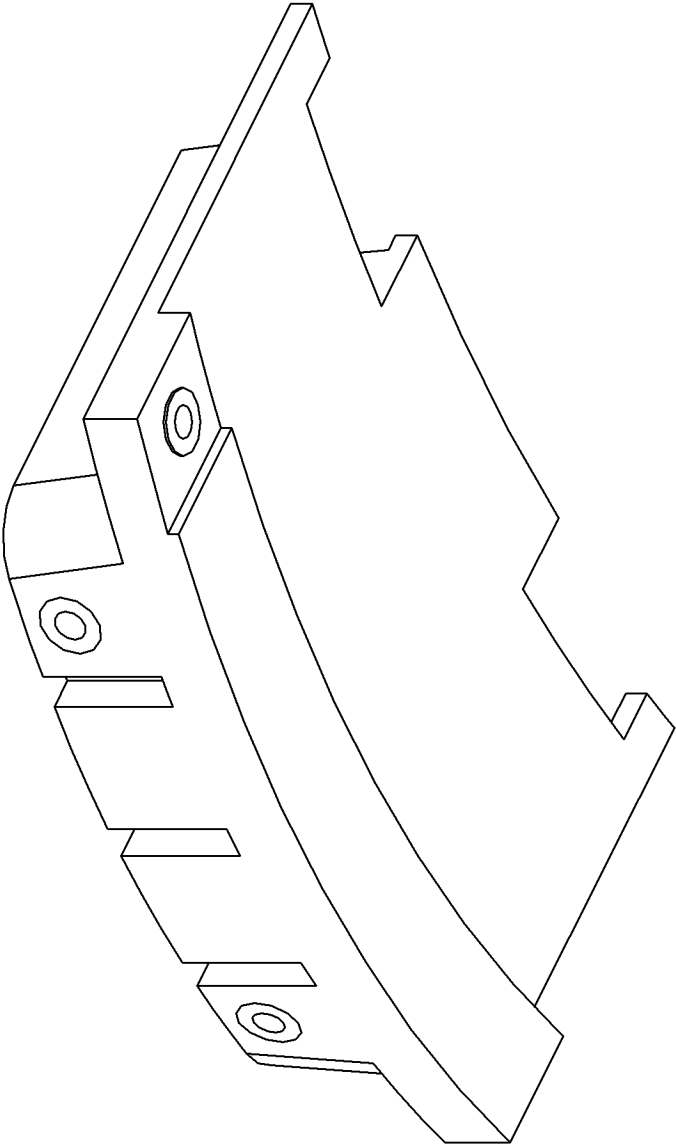


BILL of MATERIALS

Qty.	DESCRIPTION
3	2.00" SPIN FITTINGS W/ PLUGS
OVERALL HEIGHT 9.00"	

NO.	REVISION	DATE
1	WIDEN LOWER PORTION OF TANK, SHOREN WINGS 1.50"	
	INCREASE DEPTH BY 1.50"	5/10/00
2	MOVE SPIN FITTINGS.	6/15/00

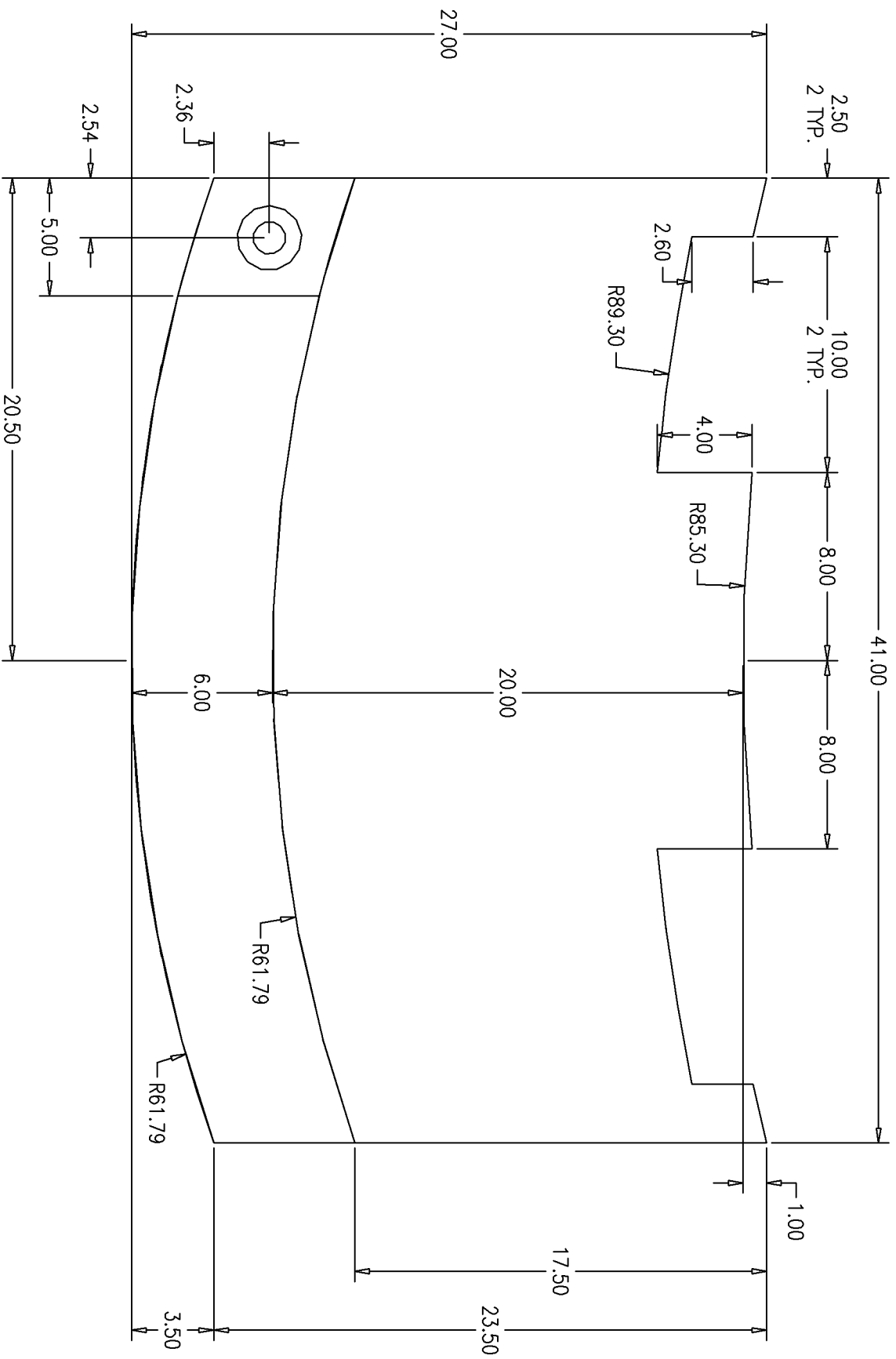


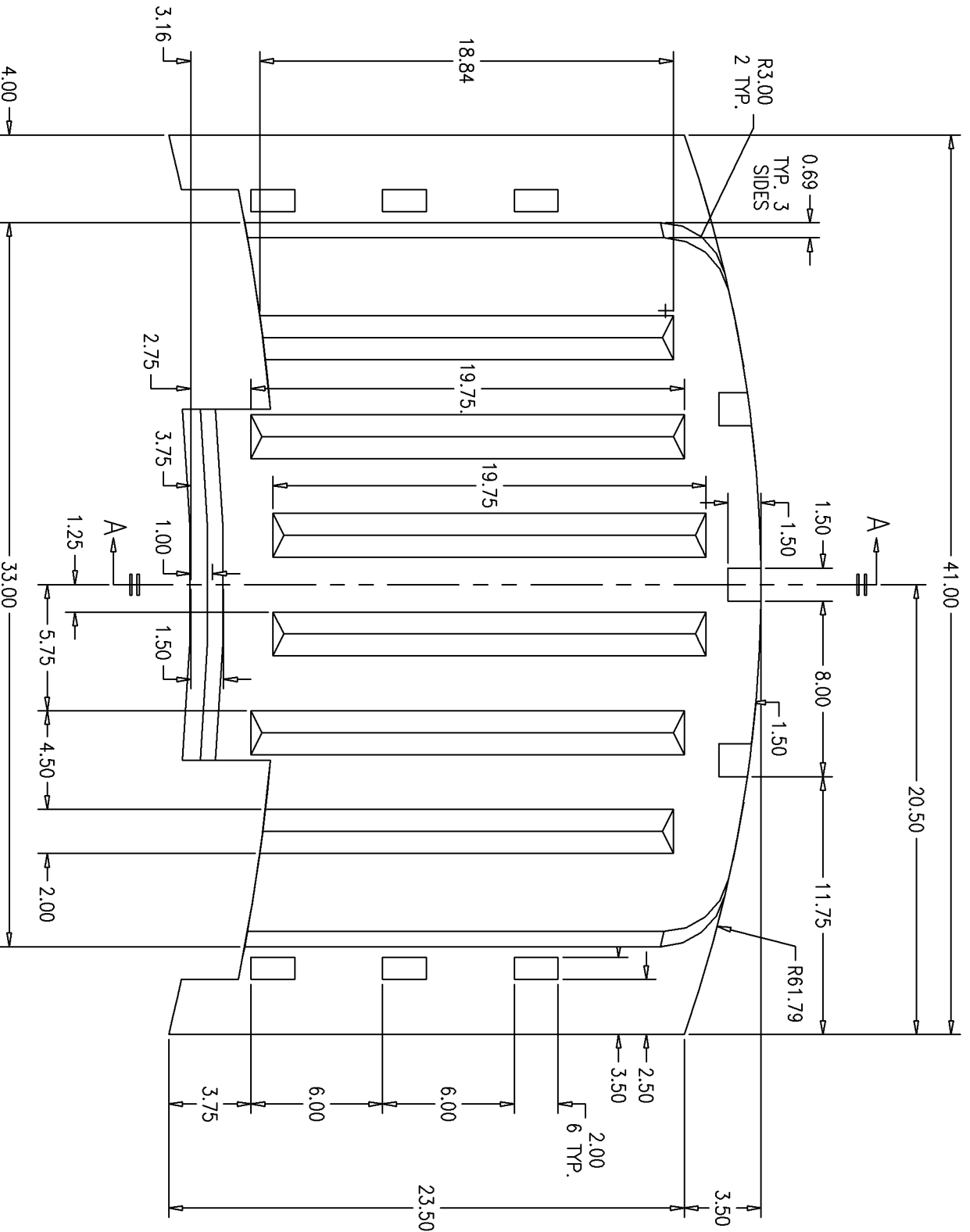
NOTE: ALL EDGES R0.38
UNLESS OTHERWISE NOTED

PAGE 1 OF 5

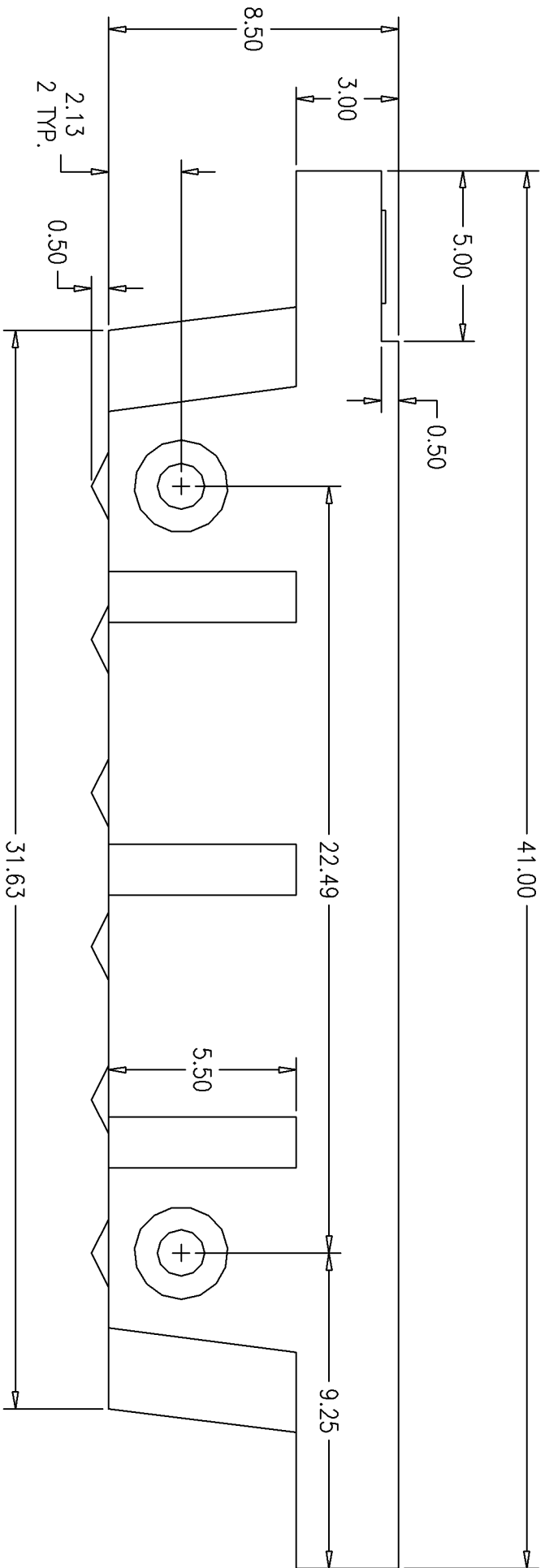
THIS DRAWING AND THE ATTACHED DRAWINGS (AND THE DATA SHOWN THEREON) IS CONFIDENTIAL AND PROPRIETARY AND SHALL NOT BE USED, DISCLOSED TO OTHERS, REPRODUCED FOR ANY PURPOSE EXCEPT FOR QUOTATION TO OR ORDER BY MOELLER MARINE PRODUCTS, INC. AND/OR ITS SUBSIDIARIES WITHOUT THEIR WRITTEN CONSENT TO THE USE OF SUCH DRAWINGS AND/OR DATA.

		DESCRIPTION	21 GALLON WAKE TANK
		PART #	WT2102-10
MATERIAL	LINEAR POLYETHYLENE	COLOR	NATURAL
TOLERANCES	±1.5% UNLESS OTHERWISE NOTED	DATE	07/14/00
WALL THK.	0.200" NOMINAL	DRAWN BY	MOELLER ENGINEERING

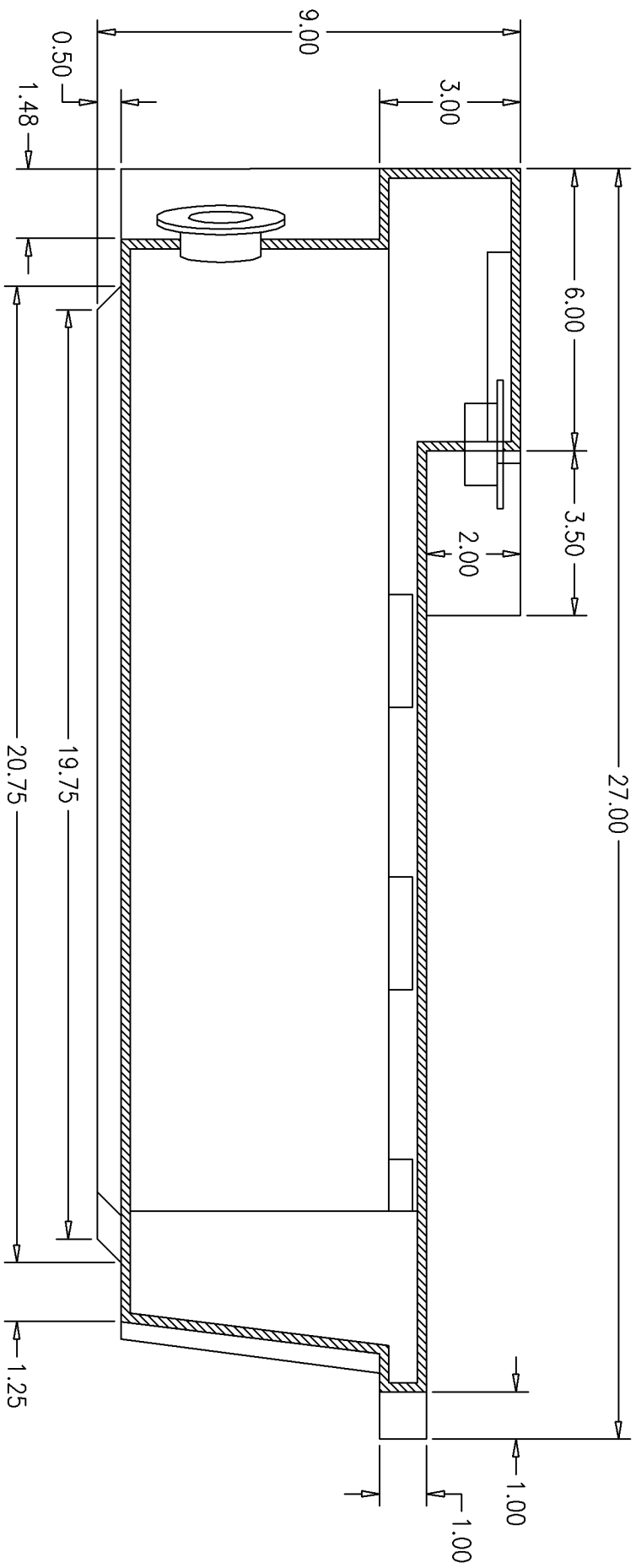




BOTTOM VIEW
 7/14/00



FRONT VIEW
7/14/00



SECTION A-A VIEW
7/14/00