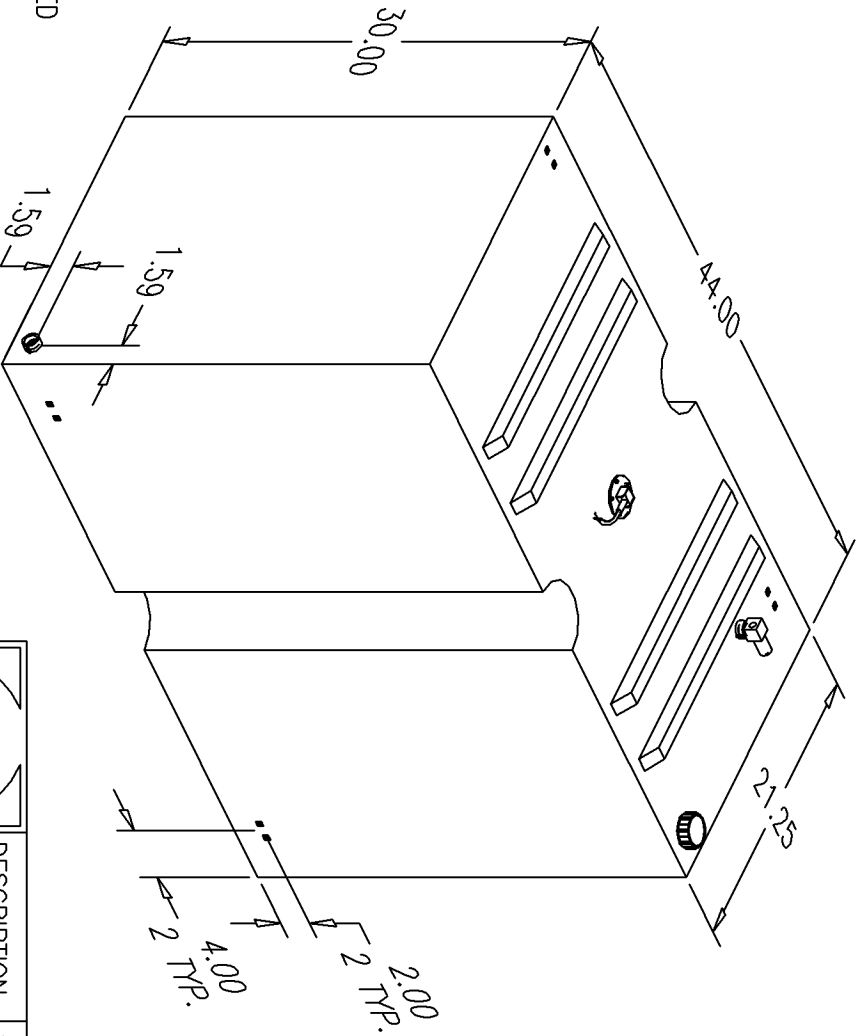


BILL of MATERIALS	
Qty.	DESCRIPTION
1	27.00" SS WEMA SENDER
1	1/2 NPT SPIN FITTING W/ 3/4" VENT
1	1/2 NPT SPIN FITTING
1	1-1/2 NPT SPIN FITTING
4	LARGE L-BRACKETS W/ INSERTS (ZIP TIED)
	OVERALL HEIGHT 31.00"

NOTE: ATTACH BRACKETS TO TOP OF TANK.

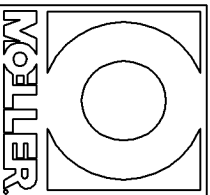
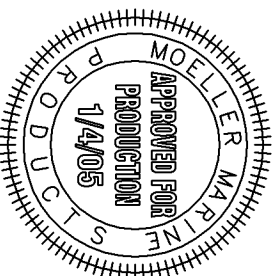


NOTE: ALL EDGES R0.38 UNLESS OTHERWISE NOTED

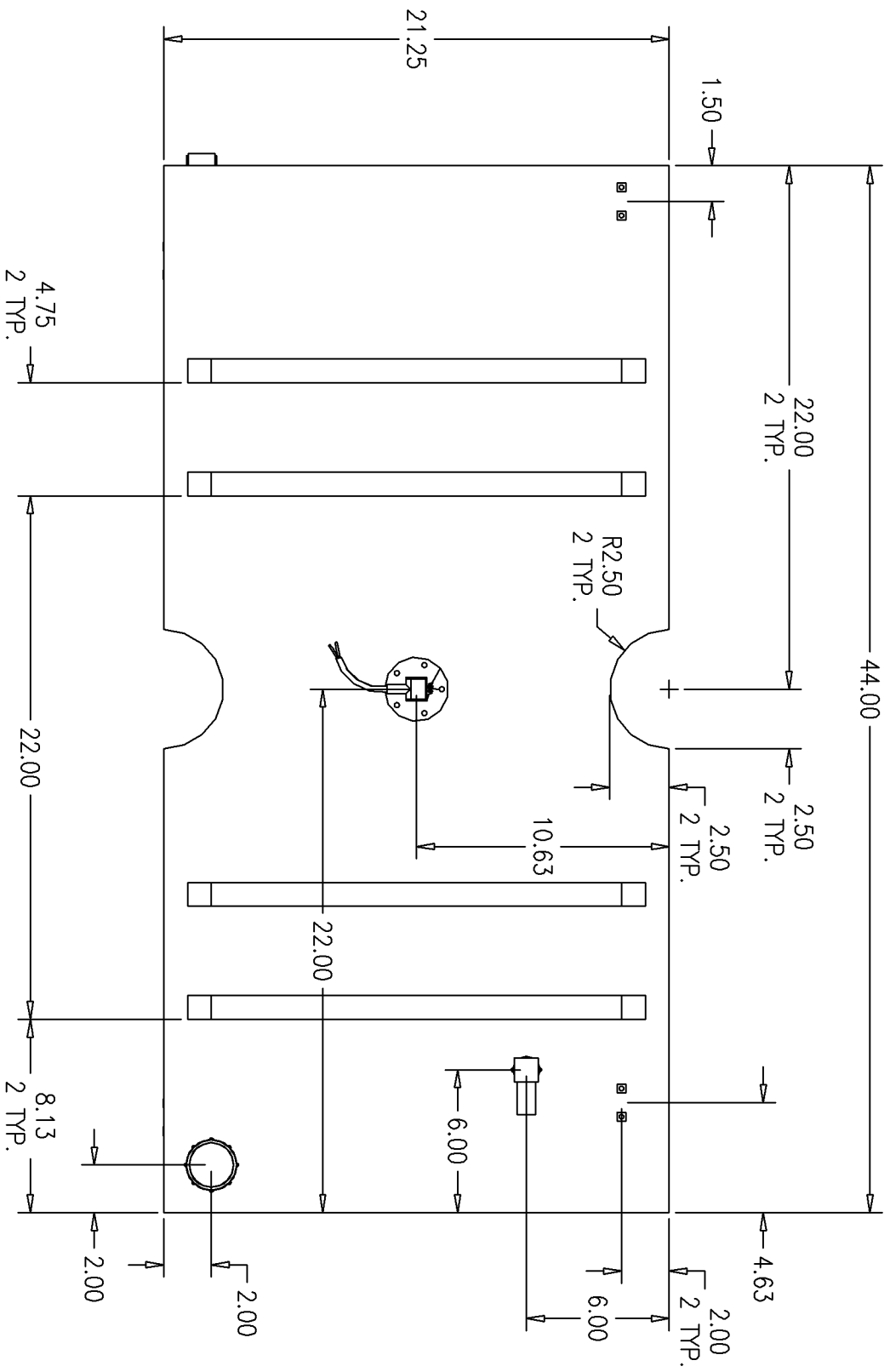
PAGE 1 OF 2

THIS DRAWING AND THE ATTACHED DRAWINGS (AND THE DATA SHOWN THEREON) IS CONFIDENTIAL AND PROPRIETARY AND SHALL NOT BE USED, DISCLOSED TO OTHERS, REPRODUCED FOR ANY PURPOSE EXCEPT FOR QUOTATION TO OR ORDER BY MOELLER MARINE PRODUCTS, INC. AND/OR ITS SUBSIDIARIES WITHOUT THEIR WRITTEN CONSENT TO THE USE OF SUCH DRAWINGS AND/OR DATA.

NO.	REVISION	DATE
1	ADD (1) 1-1/2 NPT SPIN FITTING	3/30/99
2	MOVE L-BRACKET INSERTS, ADD BLOCK-OFF PLATE. REMOVE (1) 3/8" SPIN FITTING W/ 5/8" VENT. CHANGE 3/8" SPIN FITTING W/ VENT AND 5/8 BARB, TO 1/2" SPIN FITTING W/ VENT AND 3/4 BARB.	
3	CHANGE 3/4" SPIN FITTING TO 1/2" SPIN FITTING, REPLACE BLOCK-OFF PLATE W/ WEMA.	10/25/00
4	ADD VERTICAL STRUCTURE (HALF-MOON) TO TANK & CHANGE TANK COLOR TO BLUE.	4/12/01
5	REPLACE WEMA WATER SENDER W/ SS WEMA, ADD ZIP TIE.	10/24/01
		1/4/05



DESCRIPTION	112 GALLON WATER TANK		
PART #	WT11201-10	COLOR	BLUE
MATERIAL	LINEAR POLYETHYLENE		
TOLERANCES	±1.5% UNLESS OTHERWISE NOTED		
WALL THK.	0.250"		
DRAWN BY	MOELLER ENGINEERING	DATE	1/4/05



NOTE: RIBS ARE 1.00" TALL, 1.00" WIDE, 1.00" FROM EDGE OF TANK AND ARE BEVELED 45° ON ENDS.