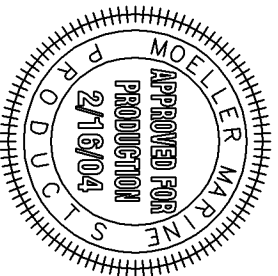
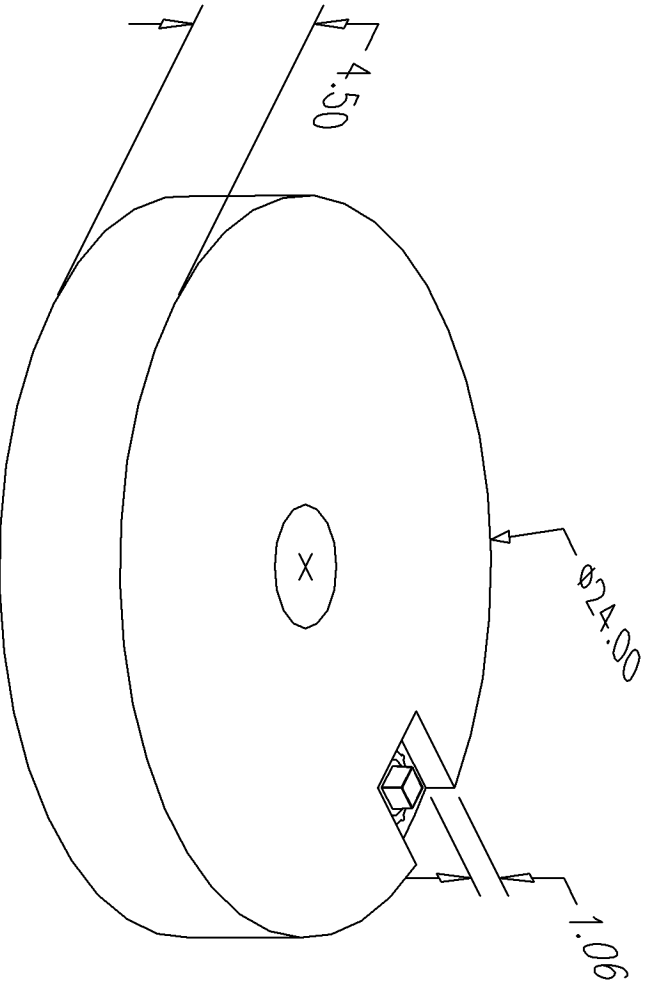


# BILL of MATERIALS

Qty.	DESCRIPTION
1	1-1/2 NPT FLUSH SPIN FITTING W/ POLY PLUG
	OVERALL HEIGHT 4.50"

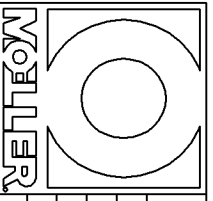
NO.	REVISION	DATE



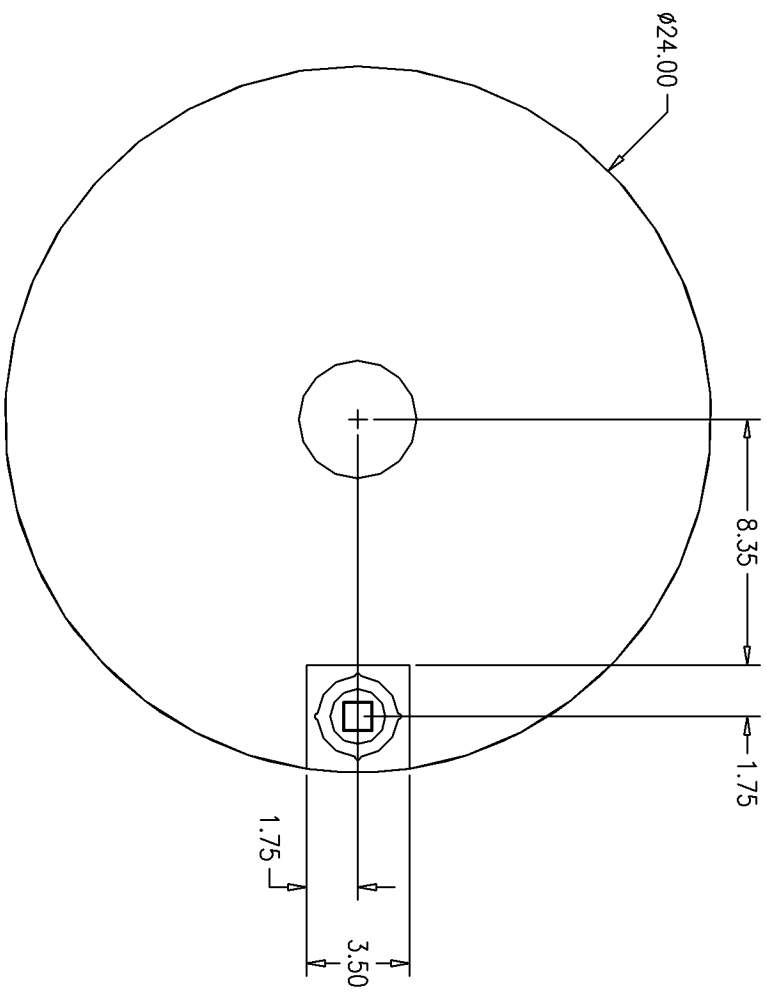
NOTE: ALL EDGES R0.38  
UNLESS OTHERWISE NOTED

PAGE 1 OF 2

THIS DRAWING AND THE ATTACHED DRAWINGS (AND THE DATA SHOWN THEREON) IS CONFIDENTIAL AND PROPRIETARY AND SHALL NOT BE USED, DISCLOSED TO OTHERS, REPRODUCED FOR ANY PURPOSE EXCEPT FOR QUOTATION, TO OR ORDER BY MOELLER MARINE PRODUCTS, INC. AND/OR ITS SUBSIDIARIES WITHOUT THEIR WRITTEN CONSENT TO THE USE OF SUCH DRAWINGS AND/OR DATA.



DESCRIPTION	7 GALLON BALLAST TANK - 24"		
PART #	W70704-10	COLOR	NATURAL
MATERIAL	LINEAR POLYETHYLENE		
TOLERANCES	±1.5% UNLESS OTHERWISE NOTED		
WALL THK.	0.235"	NOMINAL	DATE 2/16/04
DRAWN BY	MOELLER ENGINEERING		



NOTE: CONE IS  $\phi 4.00$  AT TOP &  $\phi 5.00$  AT BOTTOM.