

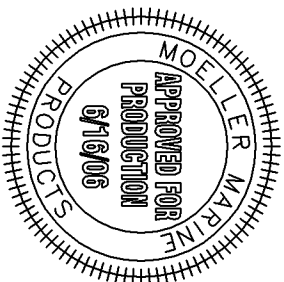
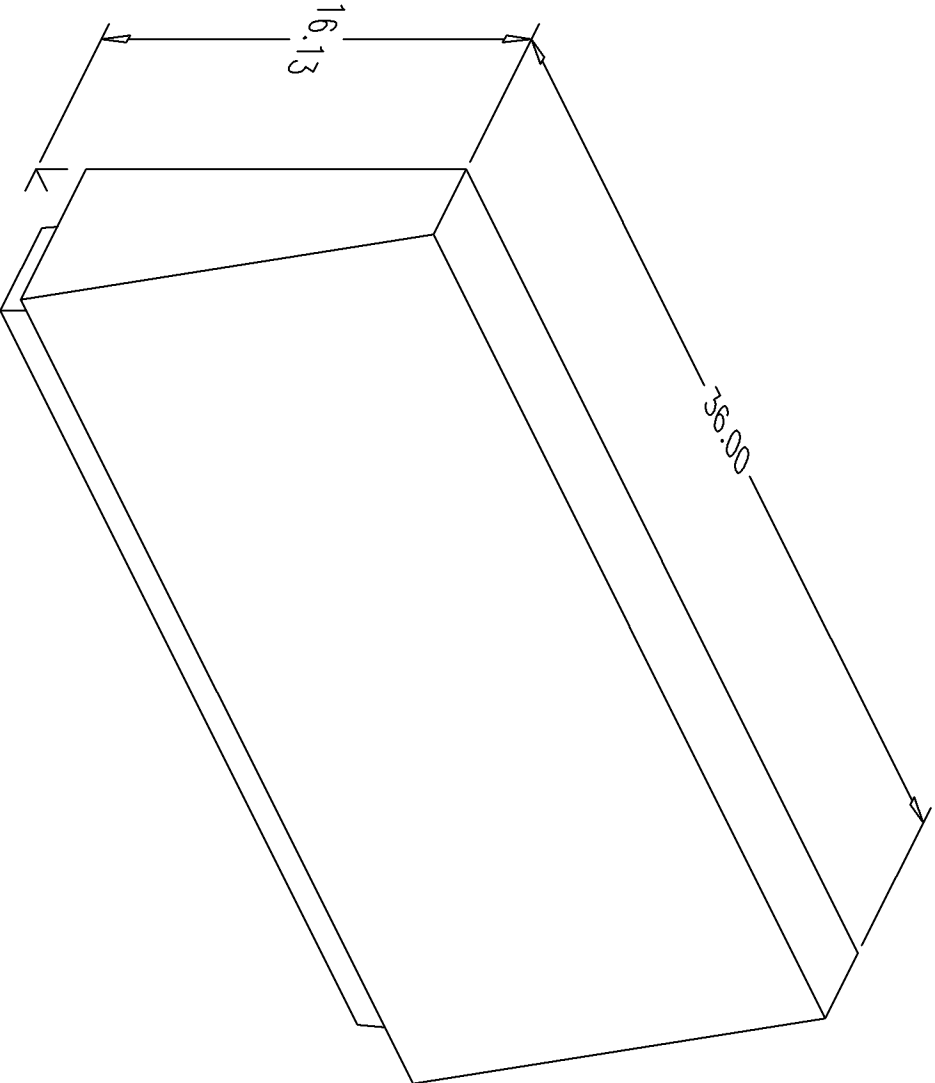
# BILL of MATERIALS

Qty.	DESCRIPTION
4	1/4-20 ALUMINUM INSERTS
OVERALL HEIGHT 16.125"	

NO.

REVISION

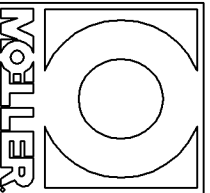
DATE



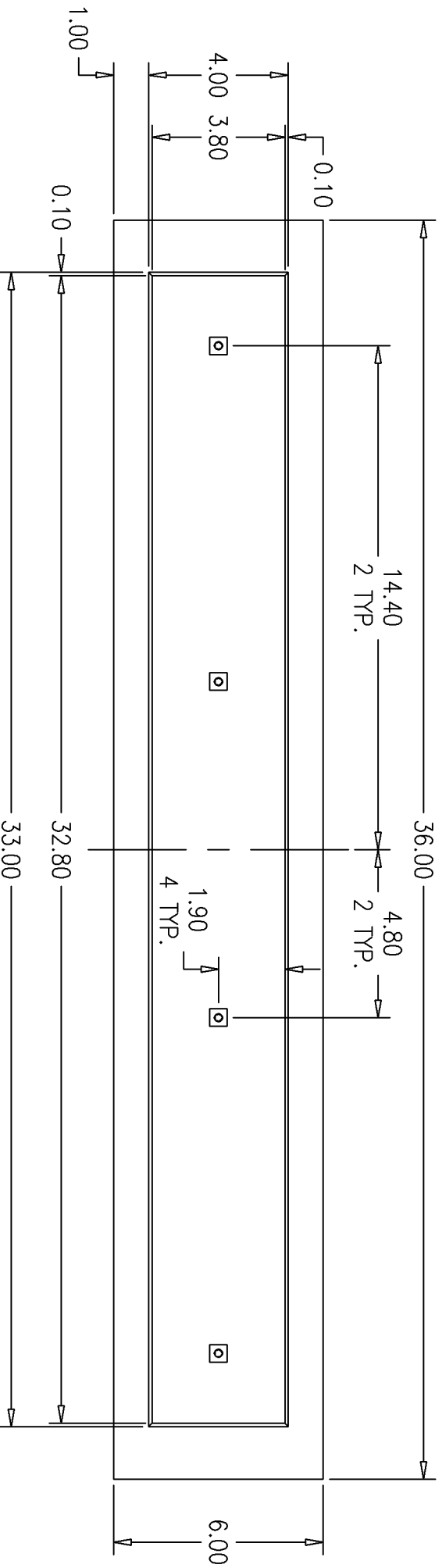
NOTE: ALL EDGES R0.38  
UNLESS OTHERWISE NOTED

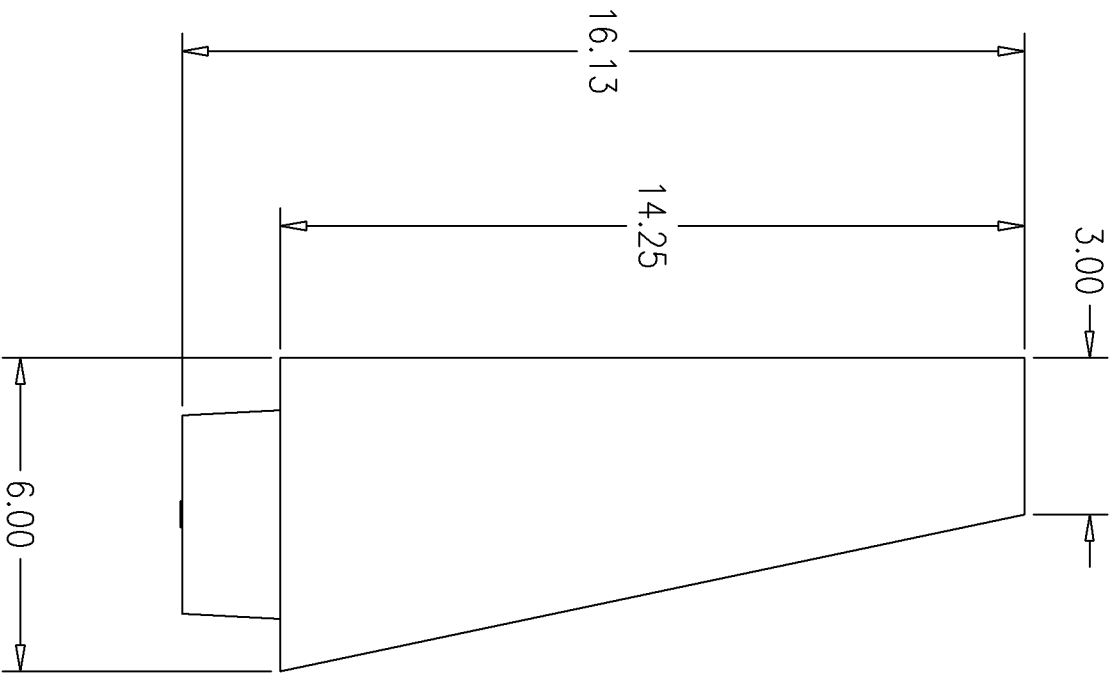
PAGE 1 OF 3

THIS DRAWING AND THE ATTACHED DRAWINGS (AND THE DATA SHOWN THEREON) IS CONFIDENTIAL AND PROPRIETARY AND SHALL NOT BE USED, DISCLOSED TO OTHERS, REPRODUCED FOR ANY PURPOSE EXCEPT FOR QUOTATION TO OR ORDER BY MOELLER MARINE PRODUCTS, INC. AND/OR ITS SUBSIDIARIES WITHOUT THEIR WRITTEN CONSENT TO THE USE OF SUCH DRAWINGS AND/OR DATA.



DESCRIPTION	36" BENCH BACK		
PART #	ST1737-RG	COLOR	BLACK
MATERIAL	REGRIND LINEAR POLYETHYLENE		
TOLERANCES	±1.5% UNLESS OTHERWISE NOTED		
WALL THK.	0.150 NOMINAL	DATE	6/16/06
DRAWN BY	MOELLER ENGINEERING		





LEFT VIEW  
6/16/06