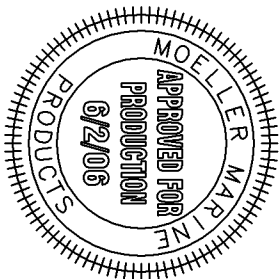
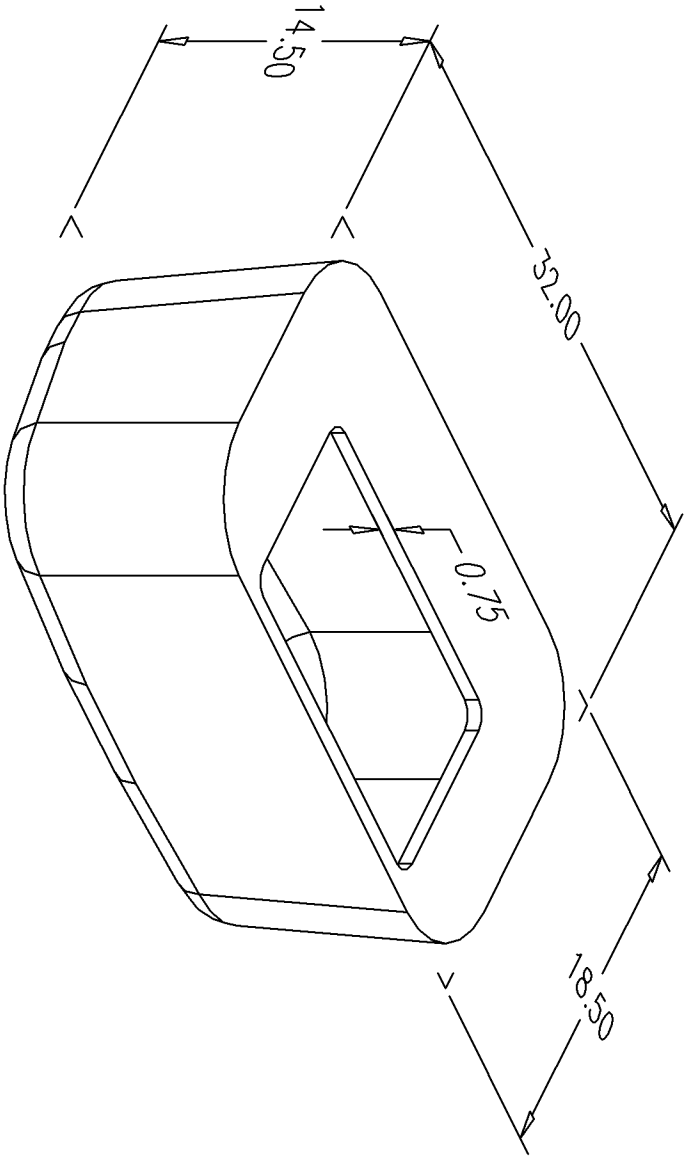


BILL of MATERIALS

Qty.	DESCRIPTION
	OVERALL HEIGHT 14.75"

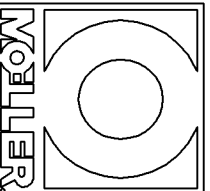
NO.	REVISION	DATE
1	CHANGED PROFILE AND THICKNESS	12/2/05
2	ADD RETURN LIP.	4/18/06



NOTE: ALL EDGES R0.38
UNLESS OTHERWISE NOTED

PAGE 1 OF 5

THIS DRAWING AND THE ATTACHED DRAWINGS (AND THE DATA SHOWN THEREON) IS CONFIDENTIAL AND PROPRIETARY AND SHALL NOT BE USED, DISCLOSED TO OTHERS, REPRODUCED FOR ANY PURPOSE EXCEPT FOR QUOTATION TO OR ORDER BY MOELLER MARINE PRODUCTS, INC. AND/OR IT'S SUBSIDIARIES WITHOUT THEIR WRITTEN CONSENT TO THE USE OF SUCH DRAWINGS AND/OR DATA.



DESCRIPTION	30 GALLON LIVEWELL		
PART #	LW1107	COLOR	WHITE
MATERIAL	LINEAR POLYETHYLENE		
TOLERANCES	±1.5% UNLESS OTHERWISE NOTED		
WALL THK.	0.188" NOMINAL		
DRAWN BY	MOELLER ENGINEERING		
DATE	4/18/06		

