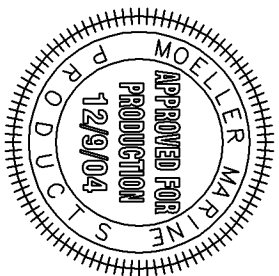
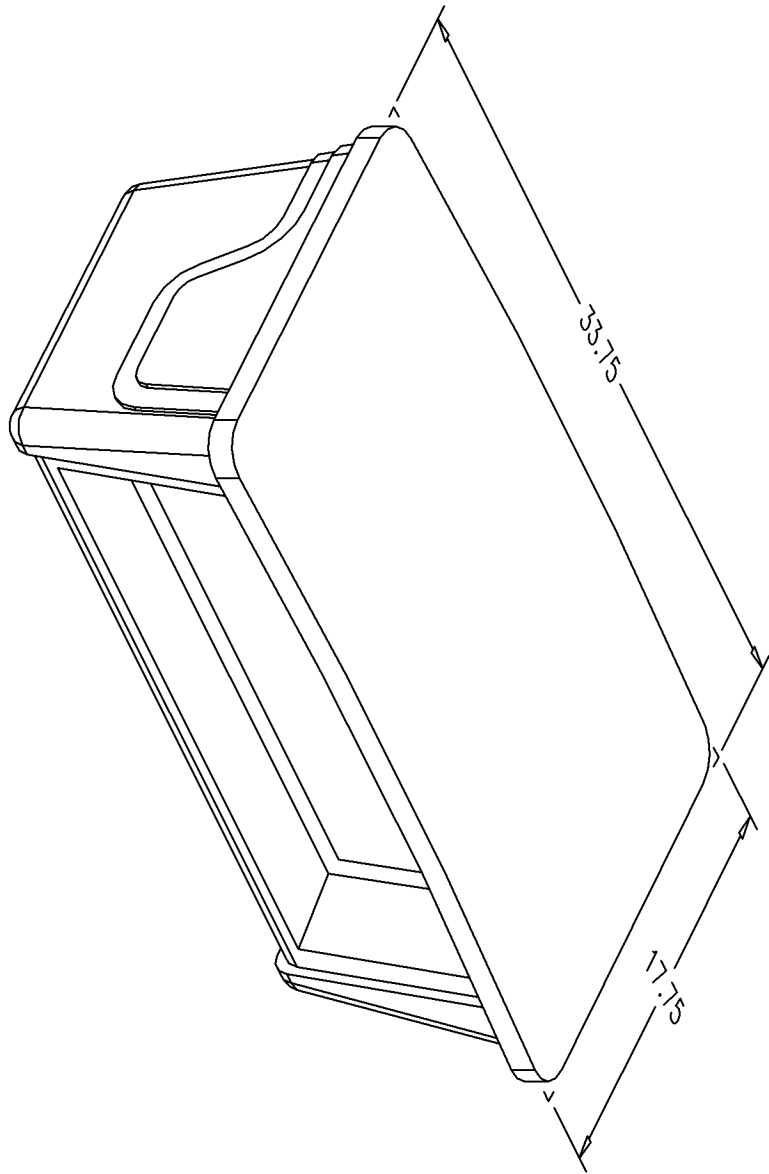


BILL of MATERIALS

Qty.	DESCRIPTION
	OVERALL HEIGHT 12.24"

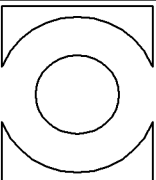
NO.	REVISION	DATE
-----	----------	------



NOTE: ALL EDGES R0.38
UNLESS OTHERWISE NOTED

PAGE 1 OF 4

THIS DRAWING AND THE ATTACHED DRAWINGS (AND THE DATA SHOWN THEREON) IS CONFIDENTIAL AND PROPRIETARY AND SHALL NOT BE USED, DISCLOSED TO OTHERS, REPRODUCED FOR ANY PURPOSE EXCEPT FOR QUOTATION TO OR ORDER BY MOELLER MARINE PRODUCTS, INC. AND/OR ITS SUBSIDIARIES WITHOUT THEIR WRITTEN CONSENT TO THE USE OF SUCH DRAWINGS AND/OR DATA.

	DESCRIPTION	ELECTRONICS BOX		
	PART #	LW1010AW	COLOR	ARCTIC WHITE
	MATERIAL	LINEAR POLYETHYLENE		
	TOLERANCES	±1.5% UNLESS OTHERWISE NOTED		
	WALL THK.	0.180" NOMINAL		
	DRAWN BY	MOELLER ENGINEERING	DATE	12/9/04