

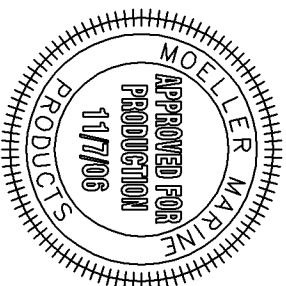
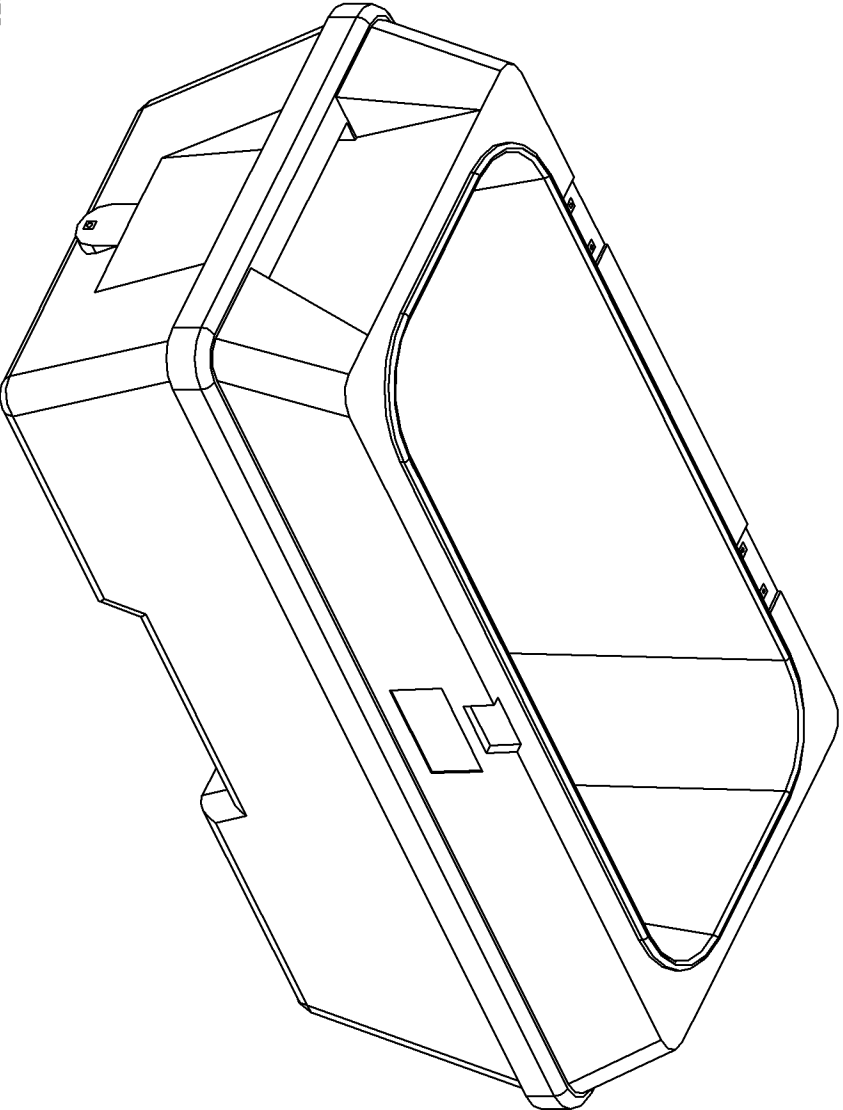
BILL of MATERIALS

| Qty. | DESCRIPTION |
|------|--------------------------|
| 16 | 1/4-20 ALUMINIUM INSERTS |
| | FOAM FILLED |
| | OVERALL HEIGHT 14.94" |

NO.

REVISION

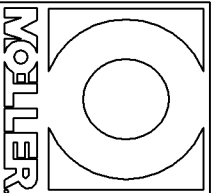
DATE



NOTE: ALL EDGES R0.38
UNLESS OTHERWISE NOTED

PAGE 1 OF 7

THIS DRAWING AND THE ATTACHED DRAWINGS (AND THE DATA SHOWN THEREON) IS CONFIDENTIAL AND PROPRIETARY AND SHALL NOT BE USED, DISCLOSED TO OTHERS, REPRODUCED FOR ANY PURPOSE EXCEPT FOR QUOTATION TO OR ORDER BY MOELLER MARINE PRODUCTS, INC. AND/OR ITS SUBSIDIARIES WITHOUT THEIR WRITTEN CONSENT TO THE USE OF SUCH DRAWINGS AND/OR DATA.



| | | | |
|-------------|------------------------------|---------|--------------|
| DESCRIPTION | 72 QT F/F COOLER SEAT | | |
| PART # | LW-861WGZ | COLOR | WISE GRAY |
| MATERIAL | LINEAR POLYETHYLENE | | |
| TOLERANCES | ±1.5% UNLESS OTHERWISE NOTED | | |
| WALL THK. | 0.160" | NOMINAL | DATE 11/7/06 |
| DRAWN BY | MOELLER ENGINEERING | | |