

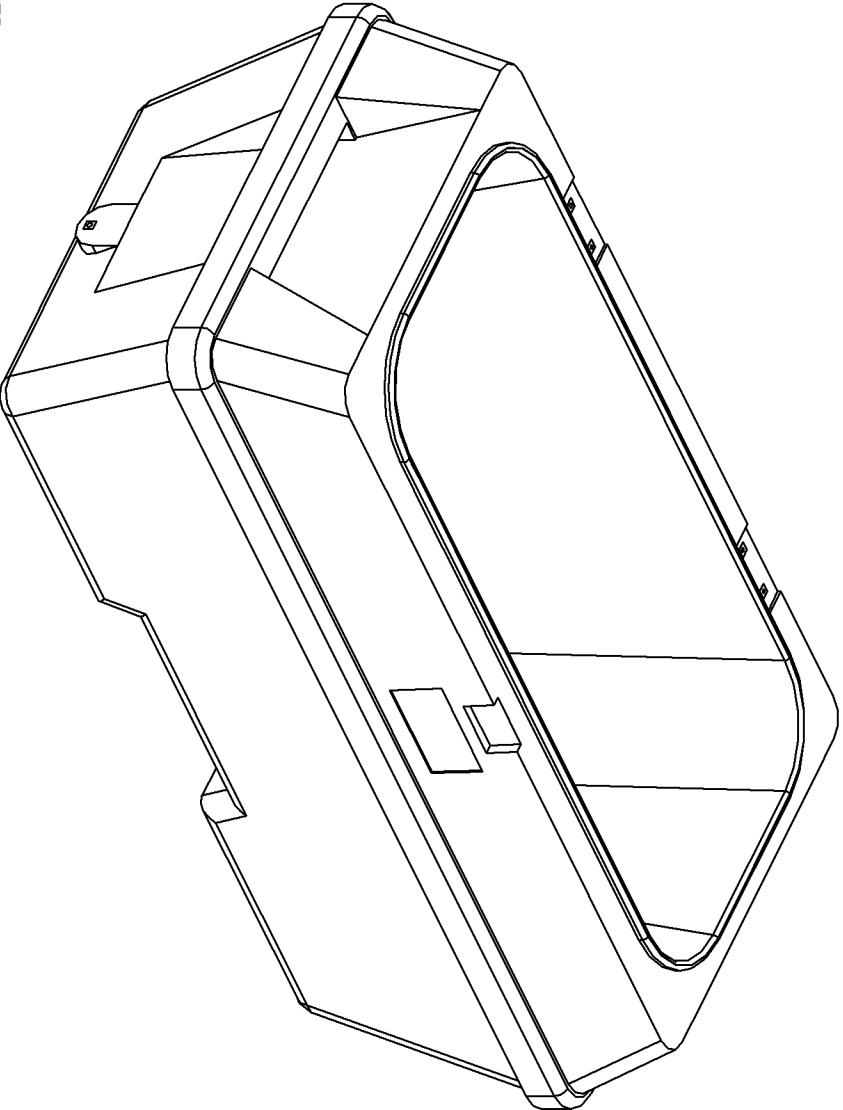
# BILL of MATERIALS

Qty.	DESCRIPTION
16	1/4-20 ALUMINIUM INSERTS
	FOAM FILLED
	OVERALL HEIGHT 14.94"

NO.

REVISION

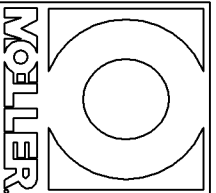
DATE



NOTE: ALL EDGES R0.38  
UNLESS OTHERWISE NOTED

PAGE 1 OF 7

THIS DRAWING AND THE ATTACHED DRAWINGS (AND THE DATA SHOWN THEREON) IS CONFIDENTIAL AND PROPRIETARY AND SHALL NOT BE USED, DISCLOSED TO OTHERS, REPRODUCED FOR ANY PURPOSE EXCEPT FOR QUOTATION TO OR ORDER BY MOELLER MARINE PRODUCTS, INC. AND/OR ITS SUBSIDIARIES WITHOUT THEIR WRITTEN CONSENT TO THE USE OF SUCH DRAWINGS AND/OR DATA.



DESCRIPTION	72QT F/F COOLER SEAT POLISHED MOLD		
PART #	LW-861PM-AW	COLOR	ARCTIC WHITE
MATERIAL	LINEAR POLYETHYLENE		
TOLERANCES	±1.5% UNLESS OTHERWISE NOTED		
WALL THK.	0.160"	NOMINAL	DATE 11/7/06
DRAWN BY	MOELLER ENGINEERING		

