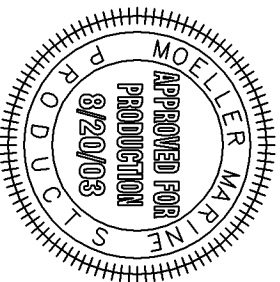
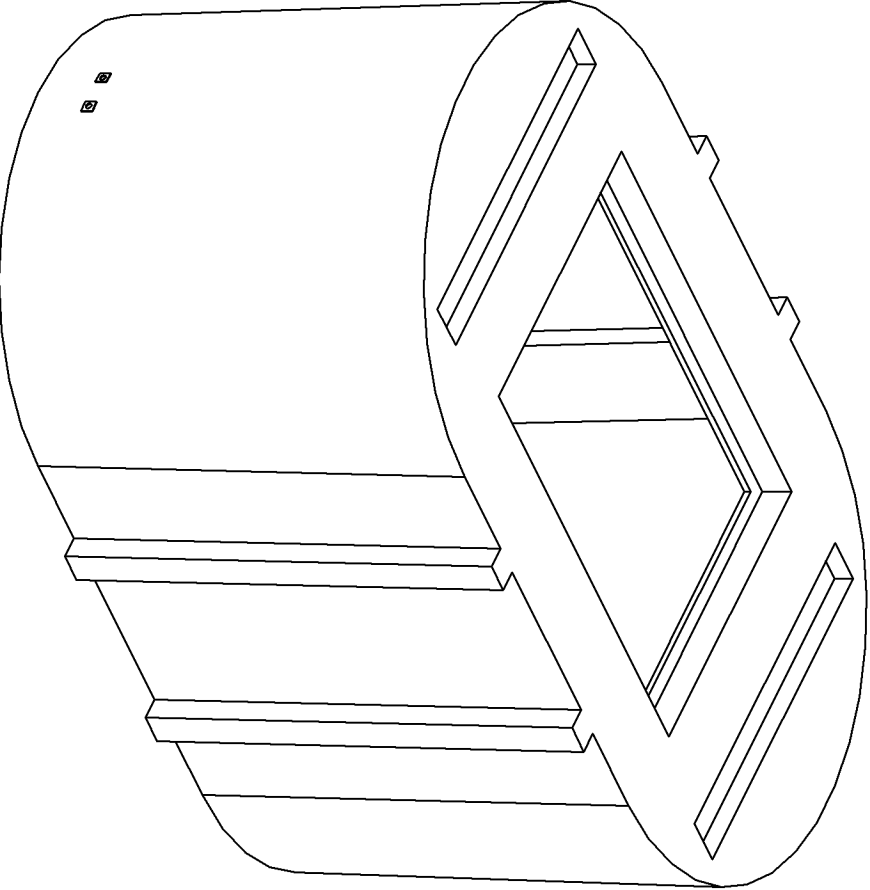


# BILL of MATERIALS

Qty.	DESCRIPTION
4	10-24 INSERTS
	OVERALL HEIGHT 14.75"

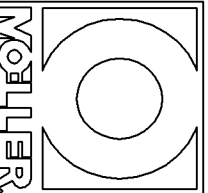
NO. \_\_\_\_\_ REVISION \_\_\_\_\_ DATE \_\_\_\_\_



NOTE: ALL EDGES R0.38  
UNLESS OTHERWISE NOTED

PAGE 1 OF 4

THIS DRAWING AND THE ATTACHED DRAWINGS (AND THE DATA SHOWN THEREON) IS CONFIDENTIAL AND PROPRIETARY AND SHALL NOT BE USED, DISCLOSED TO OTHERS, REPRODUCED FOR ANY PURPOSE EXCEPT FOR QUOTATION TO OR ORDER BY MOELLER MARINE PRODUCTS, INC. AND/OR IT'S SUBSIDIARIES WITHOUT THEIR WRITTEN CONSENT TO THE USE OF SUCH DRAWINGS AND/OR DATA.



DESCRIPTION	23 GALLON LIVEWELL		
PART #	LW-829	COLOR	BRIGHT WHITE
MATERIAL	LINEAR POLYETHYLENE		
TOLERANCES	±1.5% UNLESS OTHERWISE NOTED		
WALL THK.	0.200" NOMINAL	DATE	11/6/02
DRAWN BY	MOELLER ENGINEERING		