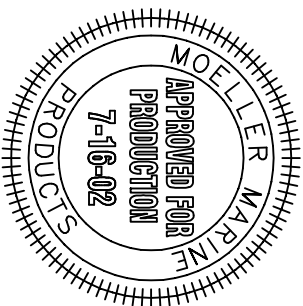
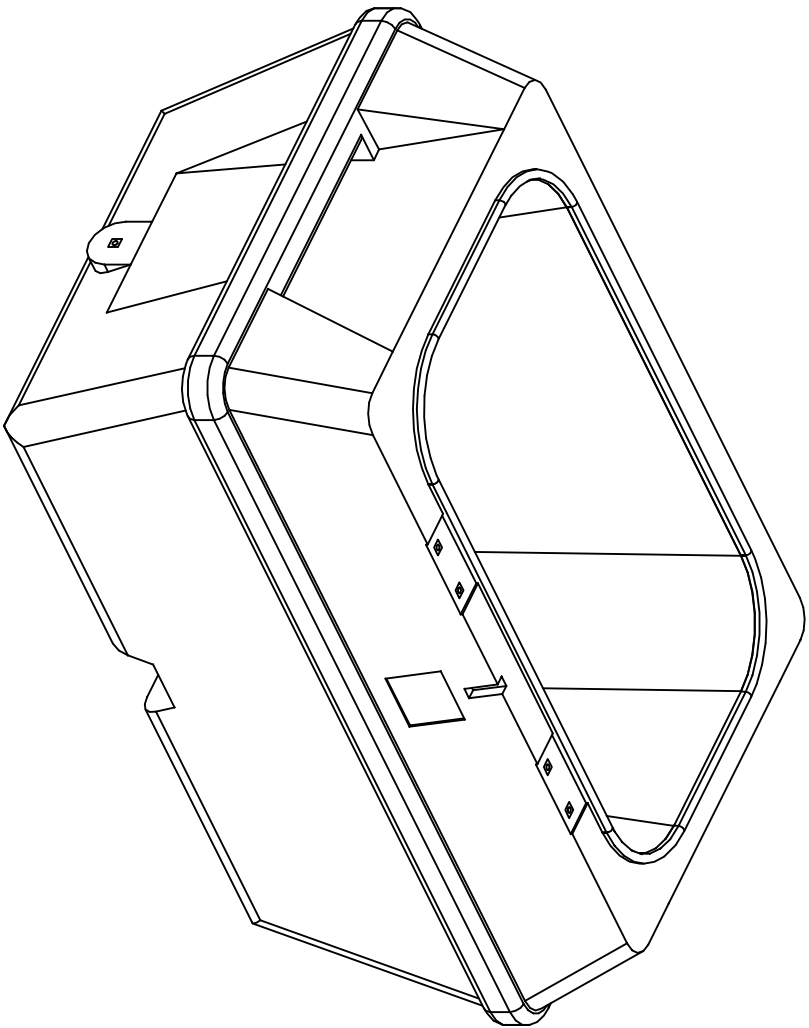


BILL of MATERIALS	
Qty.	DESCRIPTION
4	1/4-20 ALUMINUM INSERTS
2	5/16-18 SS T-NUTS
	OVERALL HEIGHT 14.625"

NO.	REVISION	DATE



NOTE: ALL EDGES R0.38
UNLESS OTHERWISE NOTED

PAGE 1 OF 7

THIS DRAWING AND THE ATTACHED DRAWINGS (AND THE DATA SHOWN THEREON) IS CONFIDENTIAL AND PROPRIETARY AND SHALL NOT BE USED, DISCLOSED TO OTHERS, REPRODUCED FOR ANY PURPOSE EXCEPT FOR QUOTATION TO OR ORDER BY MOELLER MARINE PRODUCTS, INC. AND/OR ITS SUBSIDIARIES WITHOUT THEIR WRITTEN CONSENT TO THE USE OF SUCH DRAWINGS AND/OR DATA.



DESCRIPTION	SMALL COOLER SEAT
PART #	LW-702
MATERIAL	COLOR WHITE LINEAR POLYETHYLENE
TOLERANCES	±1.5% UNLESS OTHERWISE NOTED
WALL THK.	0.150" NOMINAL
DRAWN BY	DATE 7/16/02 MOELLER ENGINEERING