

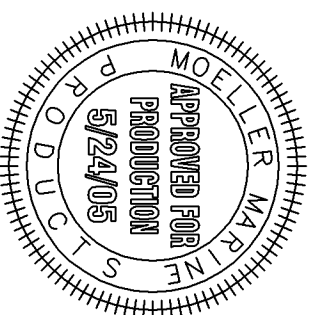
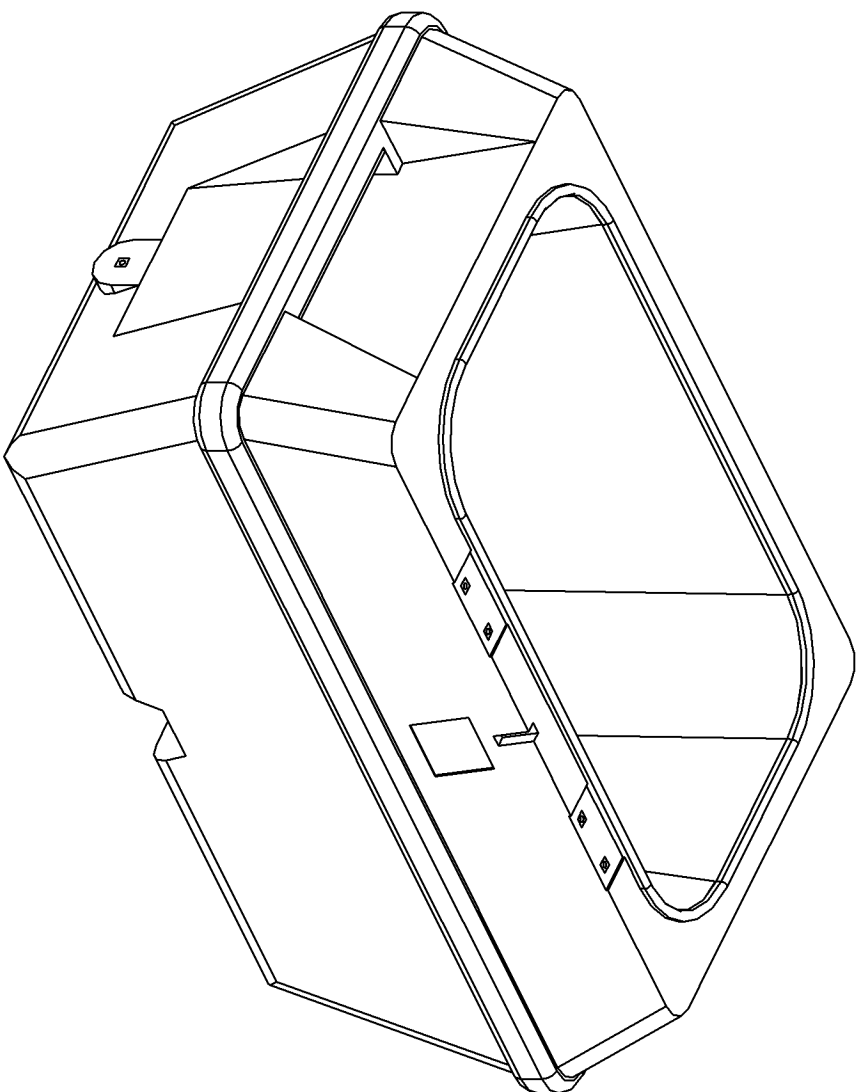
BILL of MATERIALS

Qty.	DESCRIPTION
4	1/4-20 ALUMINUM INSERTS
2	5/16-18 SS T-NUTS
OVERALL HEIGHT 14.625"	

NO.

REVISION

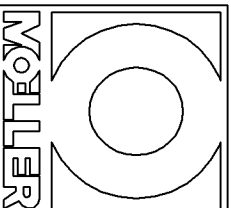
DATE



NOTE: ALL EDGES R0.38
UNLESS OTHERWISE NOTED

PAGE 1 OF 7

THIS DRAWING AND THE ATTACHED DRAWINGS (AND THE DATA SHOWN THEREON) IS CONFIDENTIAL AND PROPRIETARY AND SHALL NOT BE USED, DISCLOSED TO OTHERS, REPRODUCED FOR ANY PURPOSE EXCEPT FOR QUOTATION TO OR ORDER BY MOELLER MARINE PRODUCTS, INC. AND/OR ITS SUBSIDIARIES WITHOUT THEIR WRITTEN CONSENT TO THE USE OF SUCH DRAWINGS AND/OR DATA.



DESCRIPTION	SMALL DELUXE COOLER BASE		
PART #	LW-702L	COLOR	OFF WHITE
MATERIAL	LINEAR POLYETHYLENE		
TOLERANCES	±1.5% UNLESS OTHERWISE NOTED		
WALL THK.	0.150" NOMINAL	DATE	5/24/05
DRAWN BY	MOELLER ENGINEERING		