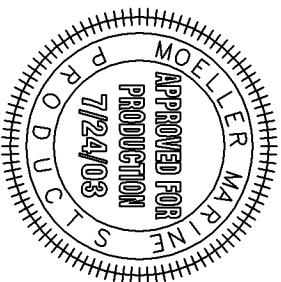
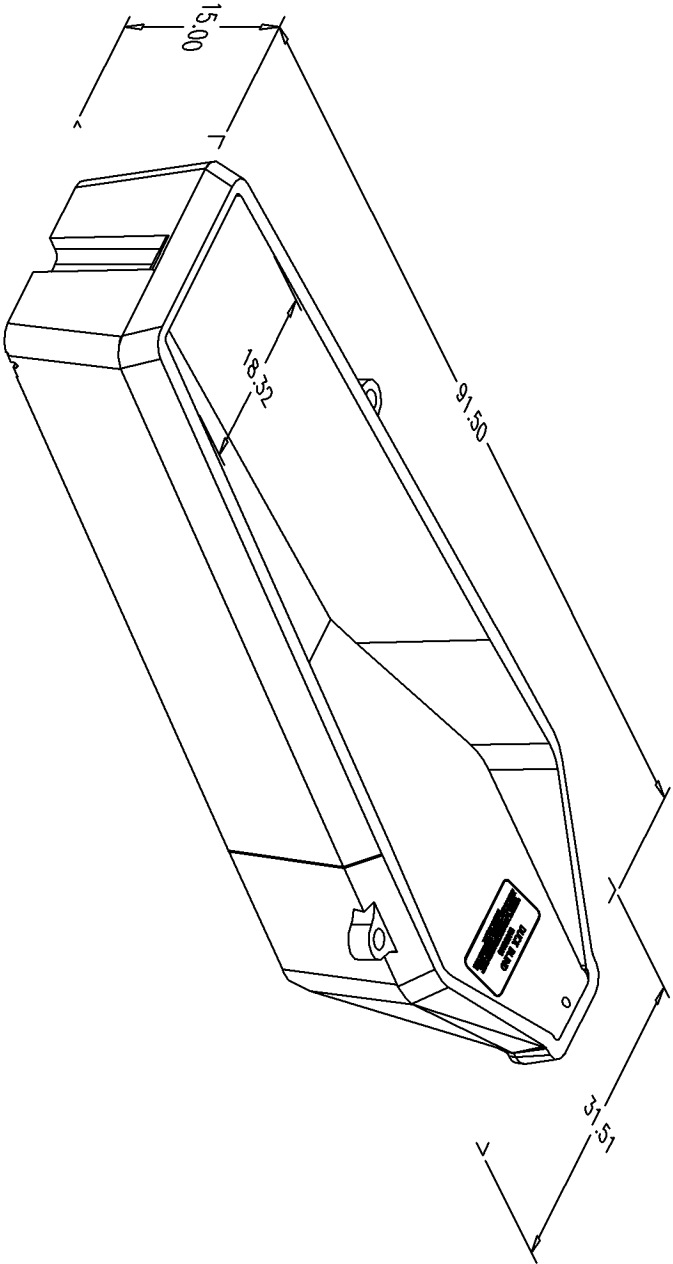


BILL of MATERIALS

Qty.	DESCRIPTION
4	1/4-20 x 5/16" T-NUTS (134033)
	OVERALL HEIGHT 15.00"

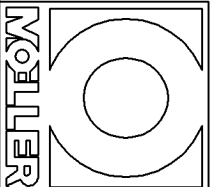
NO.	REVISION	DATE
1	REMOVE 3003 ALUM TUBE, REVISE PART	12/07/99
2	ADD TAPERED 1/2" ROPE HOLE IN BOW	12/13/99
3	ADD MOLDED IN WARNING GRAPHIC	01/27/00



NOTE: ALL EDGES R0.38
UNLESS OTHERWISE NOTED

PAGE 1 OF 10

THIS DRAWING AND THE ATTACHED DRAWINGS (AND THE DATA SHOWN THEREON) IS CONFIDENTIAL AND PROPRIETARY AND SHALL NOT BE USED, DISCLOSED TO OTHERS, REPRODUCED FOR ANY PURPOSE EXCEPT FOR QUOTATION TO OR ORDER BY MOELLER MARINE PRODUCTS, INC. AND/OR ITS SUBSIDIARIES WITHOUT THEIR WRITTEN CONSENT TO THE USE OF SUCH DRAWINGS AND/OR DATA.



DESCRIPTION	DUCK BLIND		
PART #	00001w-481	COLOR	DESERT BROWN
MATERIAL	LINEAR POLYETHYLENE		
TOLERANCES	±1.5% UNLESS OTHERWISE NOTED		
WALL THK.	0.188" NOMINAL	DATE	01/27/00
DRAWN BY	MOELLER ENGINEERING		