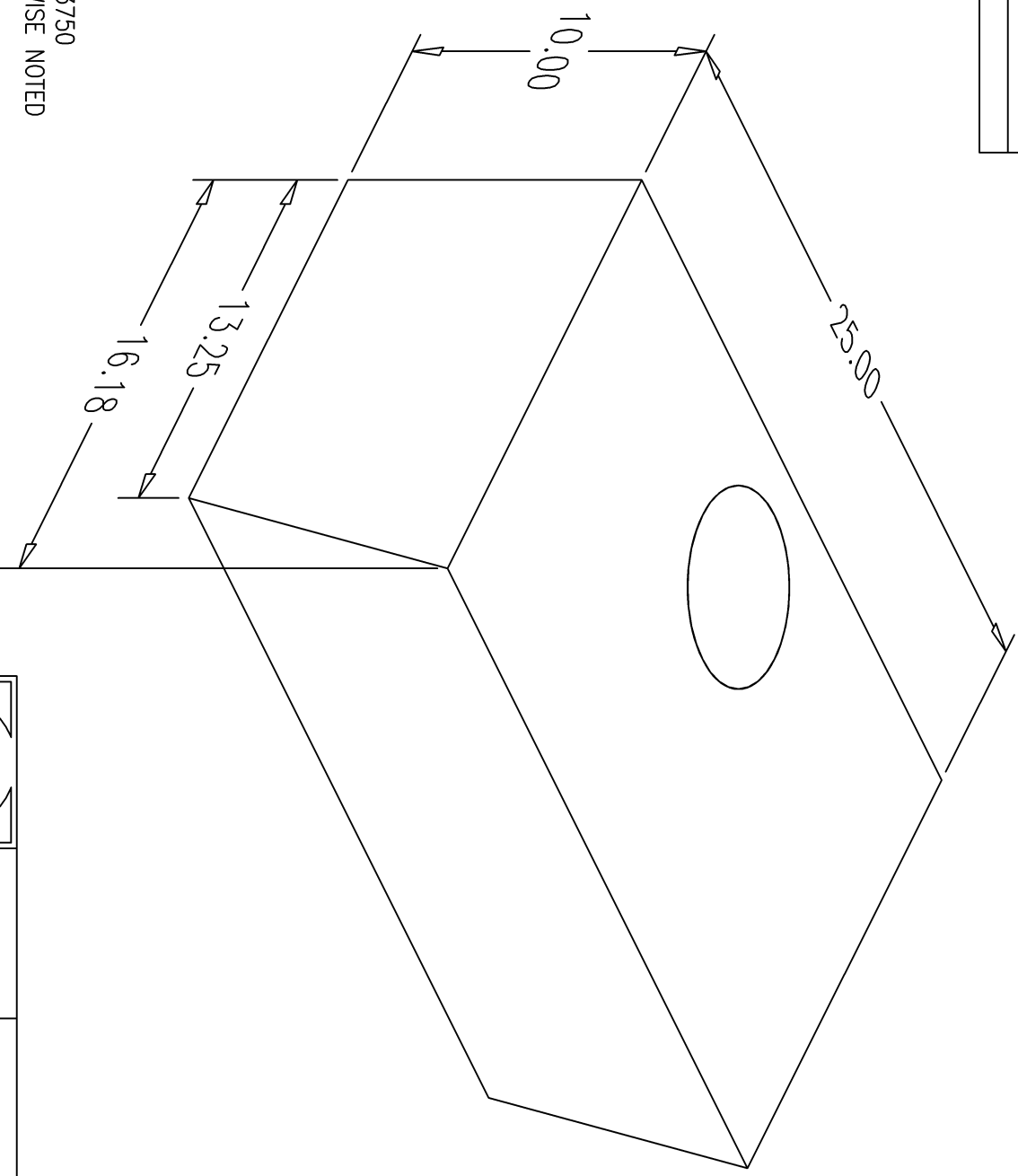


# BILL of MATERIALS

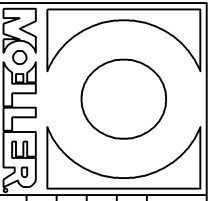
Qty.	DESCRIPTION
	OVERALL HEIGHT 10.2500"

NO.	REVISION	DATE
1	REDUCE HEIGHT BY 0.2500	8/1/97

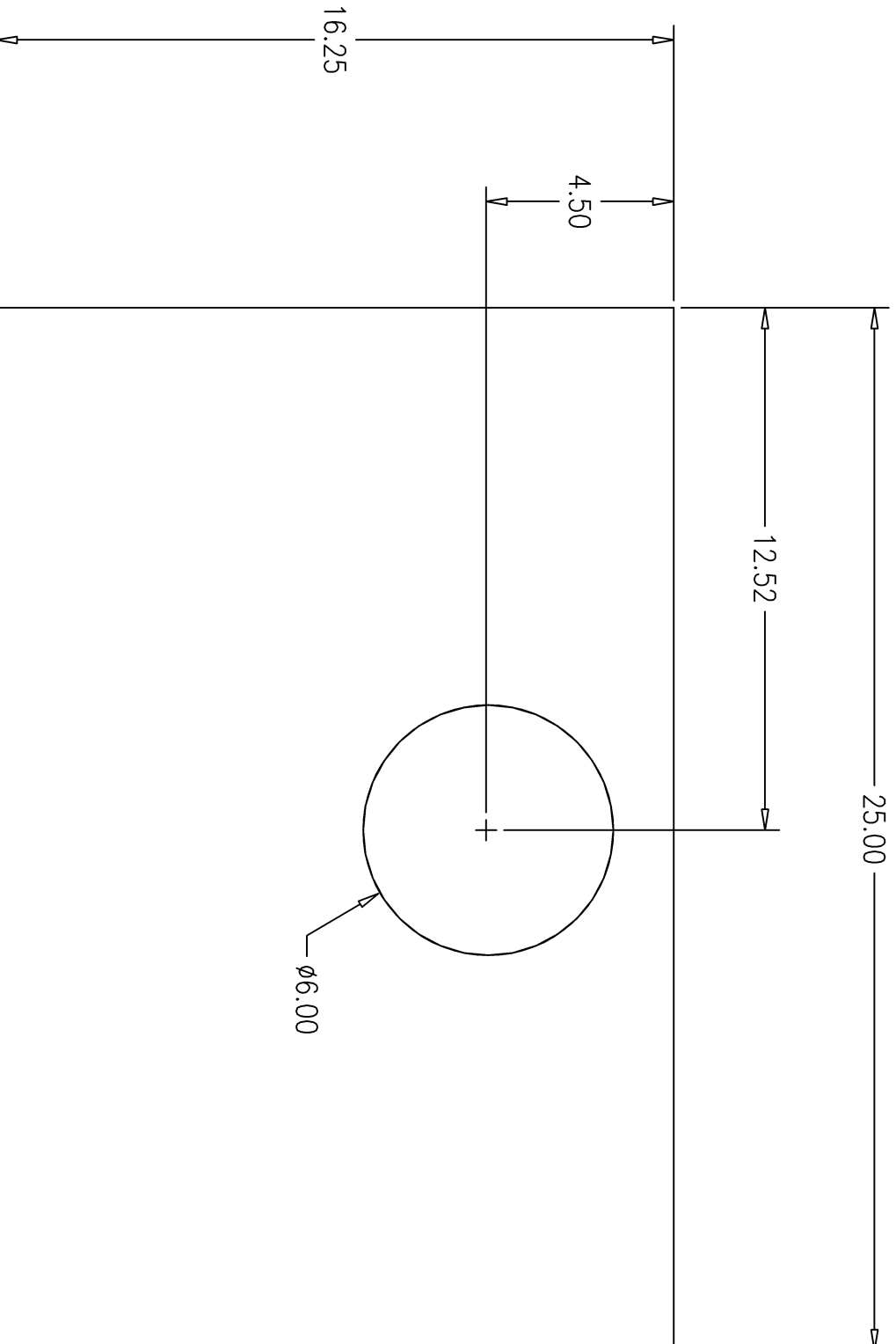


NOTE: ALL EDGES R0.3750  
UNLESS OTHERWISE NOTED

THIS DRAWING AND THE ATTACHED DRAWINGS (AND THE DATA SHOWN THEREON) IS CONFIDENTIAL AND PROPRIETARY AND SHALL NOT BE USED, DISCLOSED TO OTHERS, REPRODUCED FOR ANY PURPOSE EXCEPT FOR QUOTATION TO OR ORDER BY MOELLER MARINE PRODUCTS, INC. AND/OR ITS SUBSIDIARIES WITHOUT THEIR WRITTEN CONSENT TO THE USE OF SUCH DRAWINGS AND/OR DATA.



DESCRIPTION	15 GALLON STORAGE BOX
PART #	LW-442
MATERIAL	LINEAR POLYETHYLENE
TOLERANCES	±1.5% UNLESS OTHERWISE NOTED
WALL THK.	0.150"
DRAWN BY	MOELLER ENGINEERING
COLOR	NATURAL
DATE	9/10/97



TOP VIEW