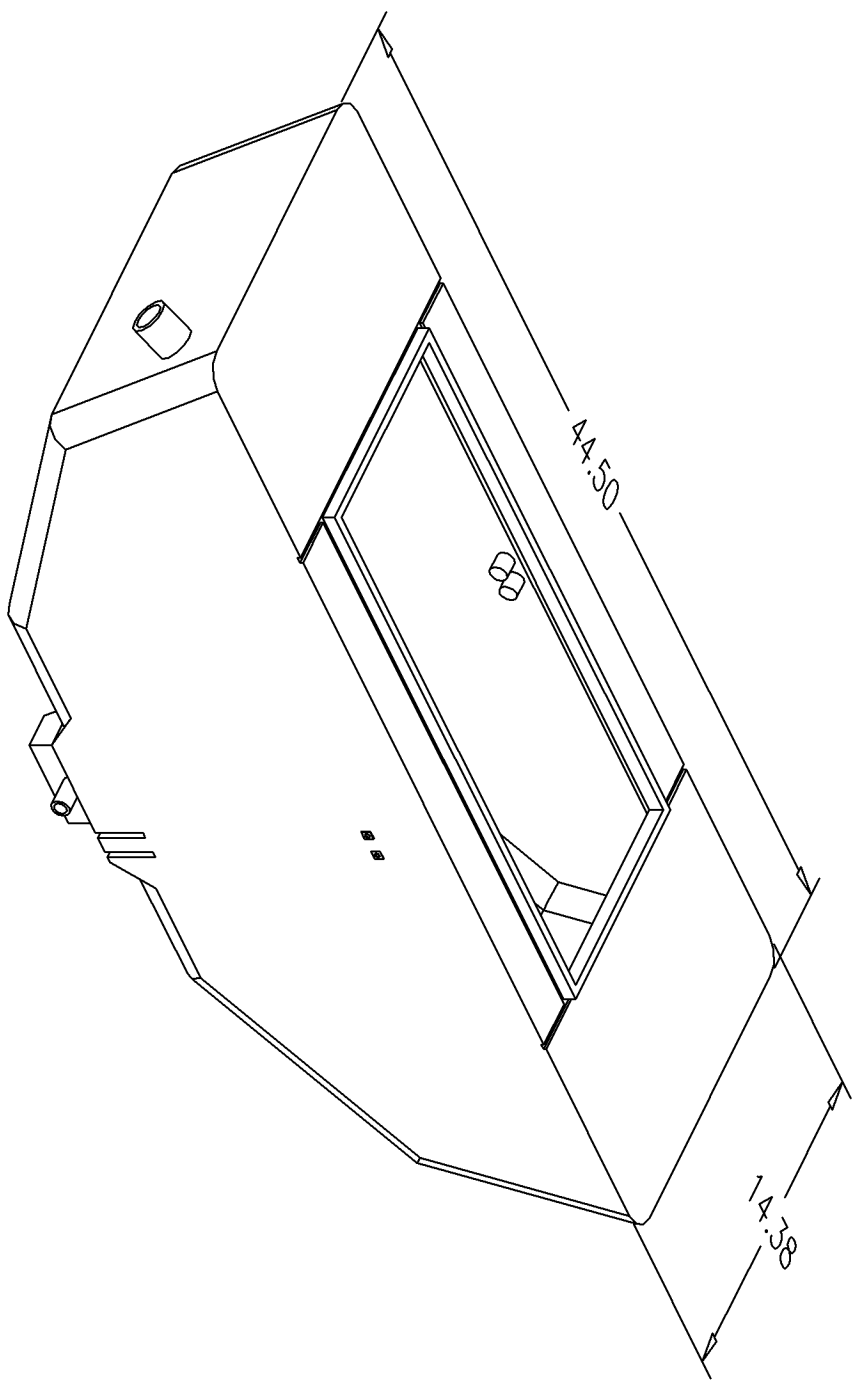


# BILL of MATERIALS

Qty.	DESCRIPTION
4	SMALL INSERTS
2	OVERFLOWS, Ø1.50", 1.50" LONG
1	DRAIN, 0.75" O.D., 0.50" ID
	OVERALL HEIGHT 16.50"

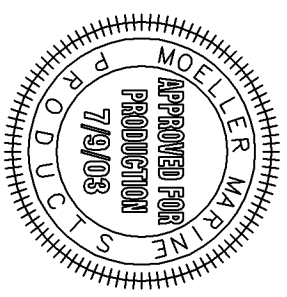
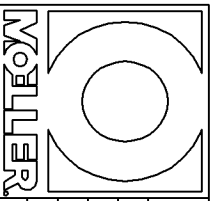
NO.	REVISION	DATE
1	NEW LID FOR LW-214	9/13/96



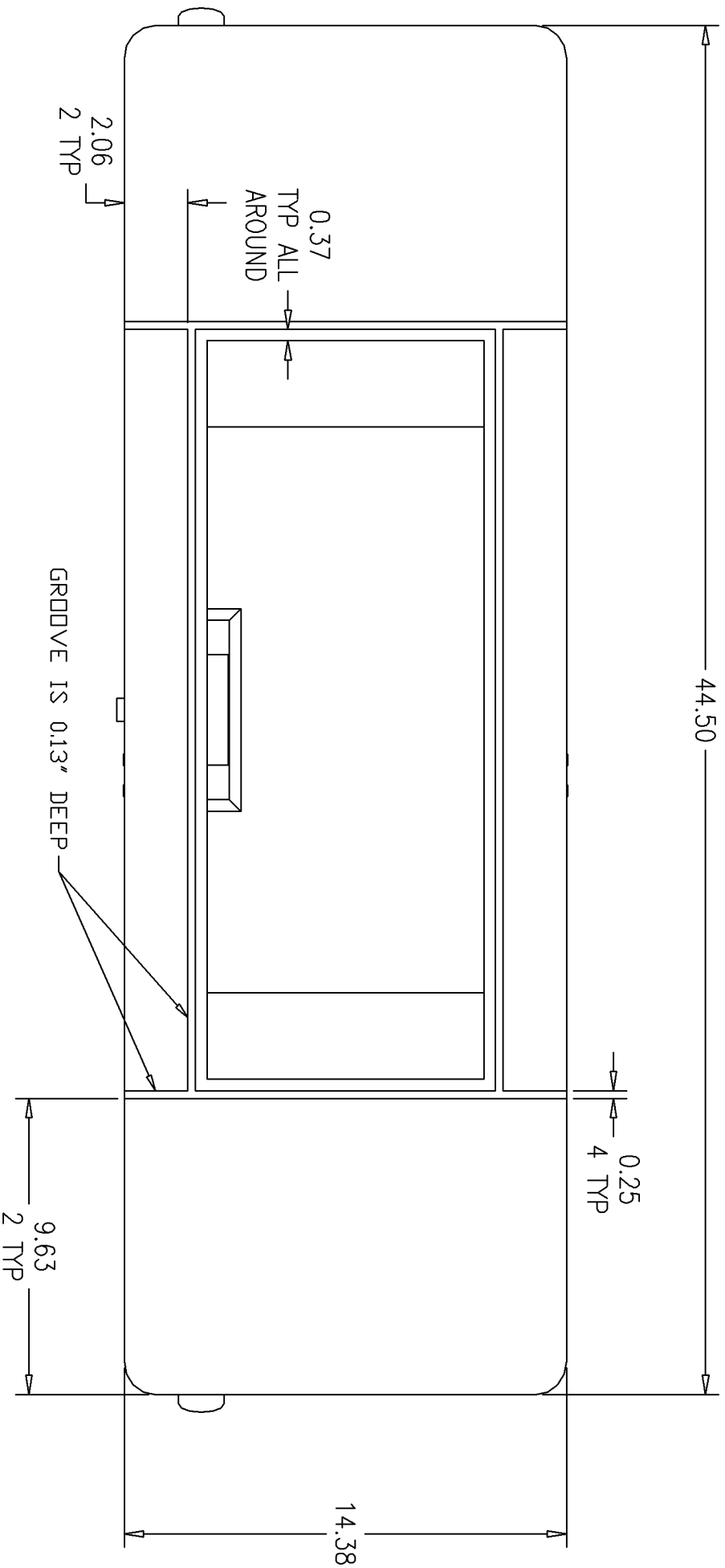
NOTE: ALL EDGES HAVE R0.375  
UNLESS OTHERWISE NOTED

PAGE 1 OF 6

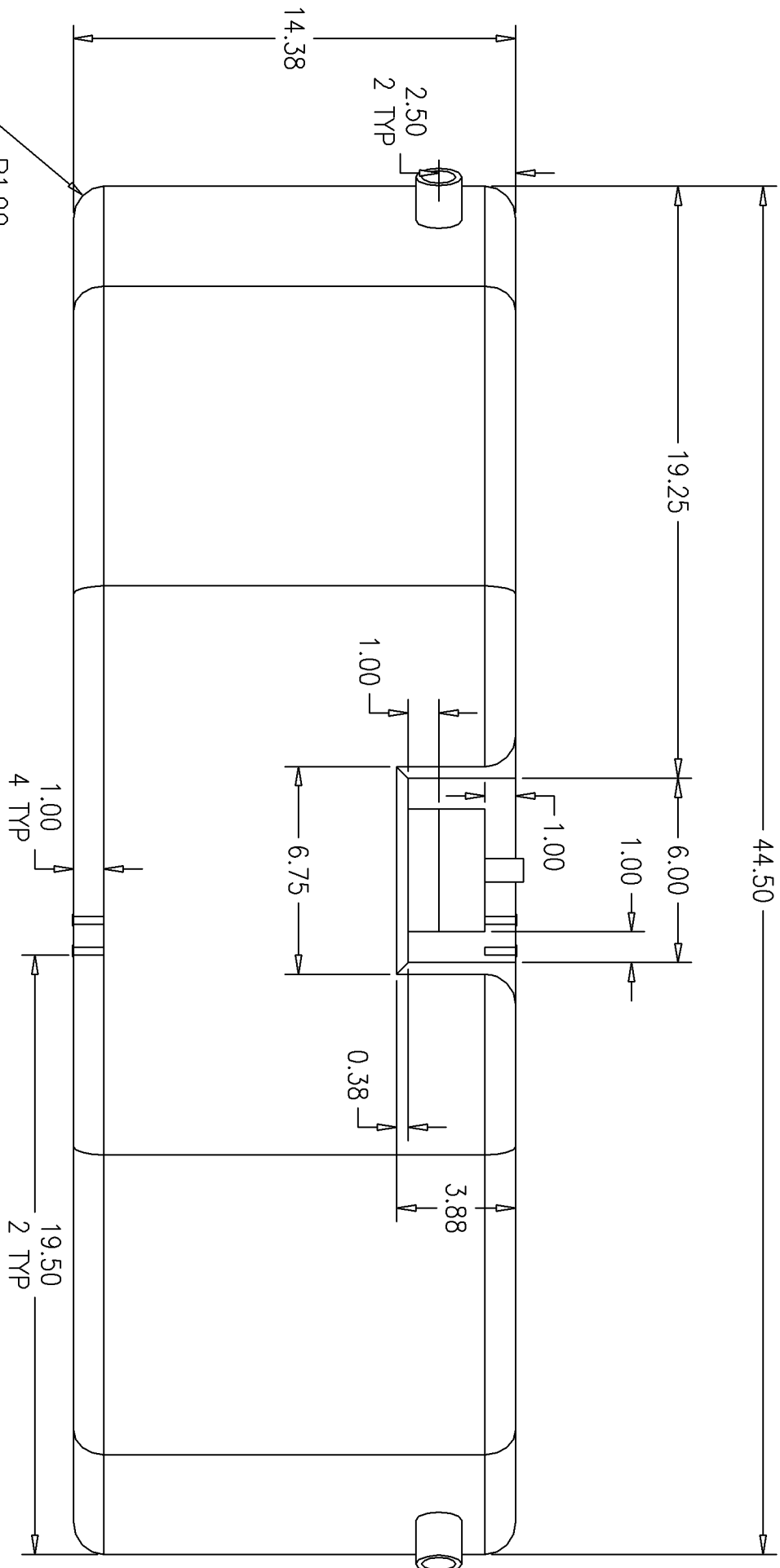
THIS DRAWING AND THE ATTACHED DRAWINGS (AND THE DATA SHOWN THEREON) IS CONFIDENTIAL AND PROPRIETARY AND SHALL NOT BE USED, DISCLOSED TO OTHERS, REPRODUCED FOR ANY PURPOSE EXCEPT FOR QUOTATION TO OR ORDER, BY MOELLER MARINE PRODUCTS, INC. AND/OR ITS SUBSIDIARIES WITHOUT THEIR WRITTEN CONSENT TO THE USE OF SUCH DRAWINGS AND/OR DATA.



DESCRIPTION	29 GALLON LIVEWELL		
PART #	LW-394	COLOR	NATURAL
MATERIAL	LINEAR POLYETHYLENE		
TOLERANCES	±1.5% UNLESS OTHERWISE NOTED		
WALL THK.	0.200"	DATE	10/15/96
DRAWN BY	MOELLER ENGINEERING		

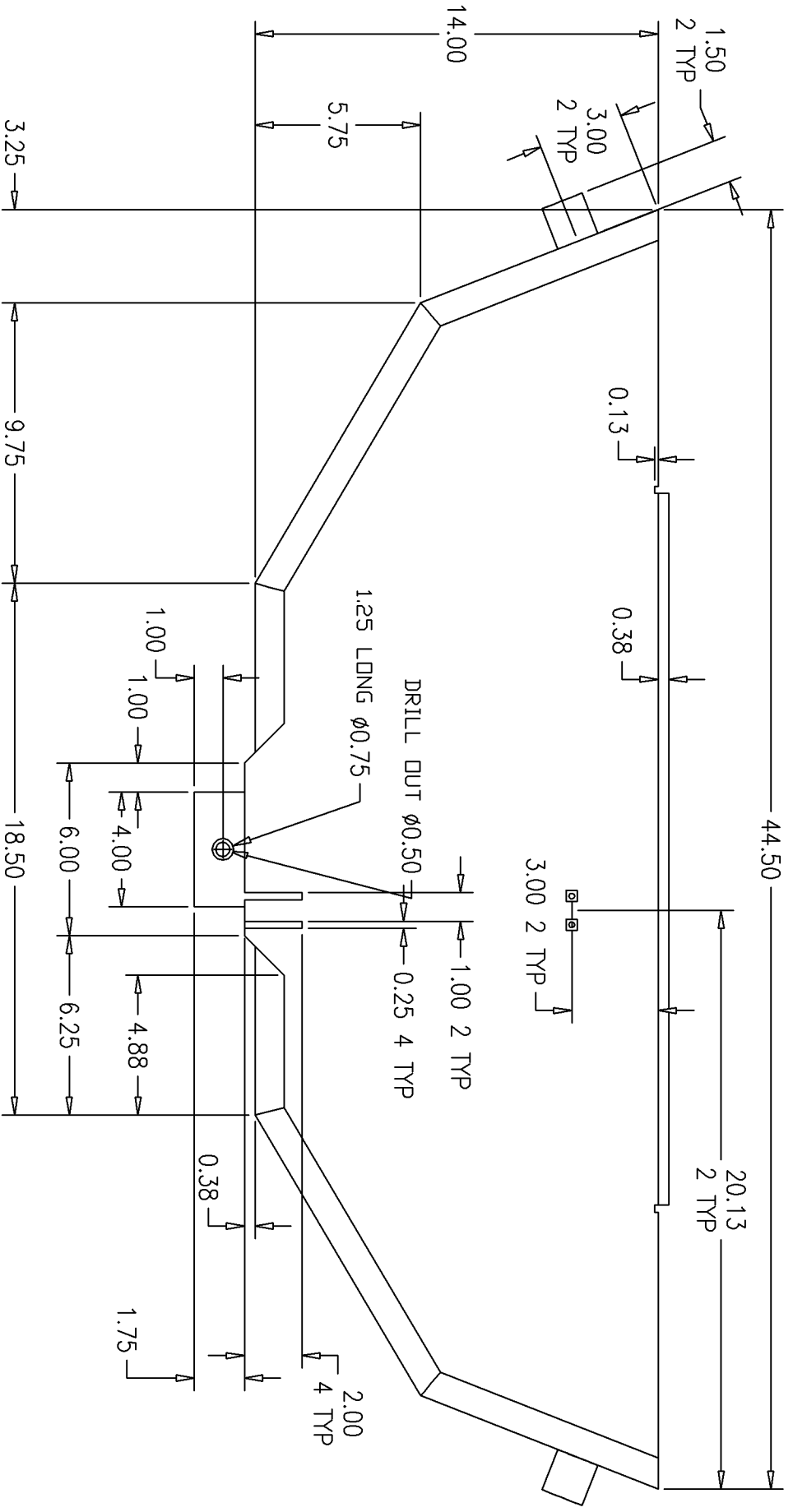


TOP VIEW  
10/15/96

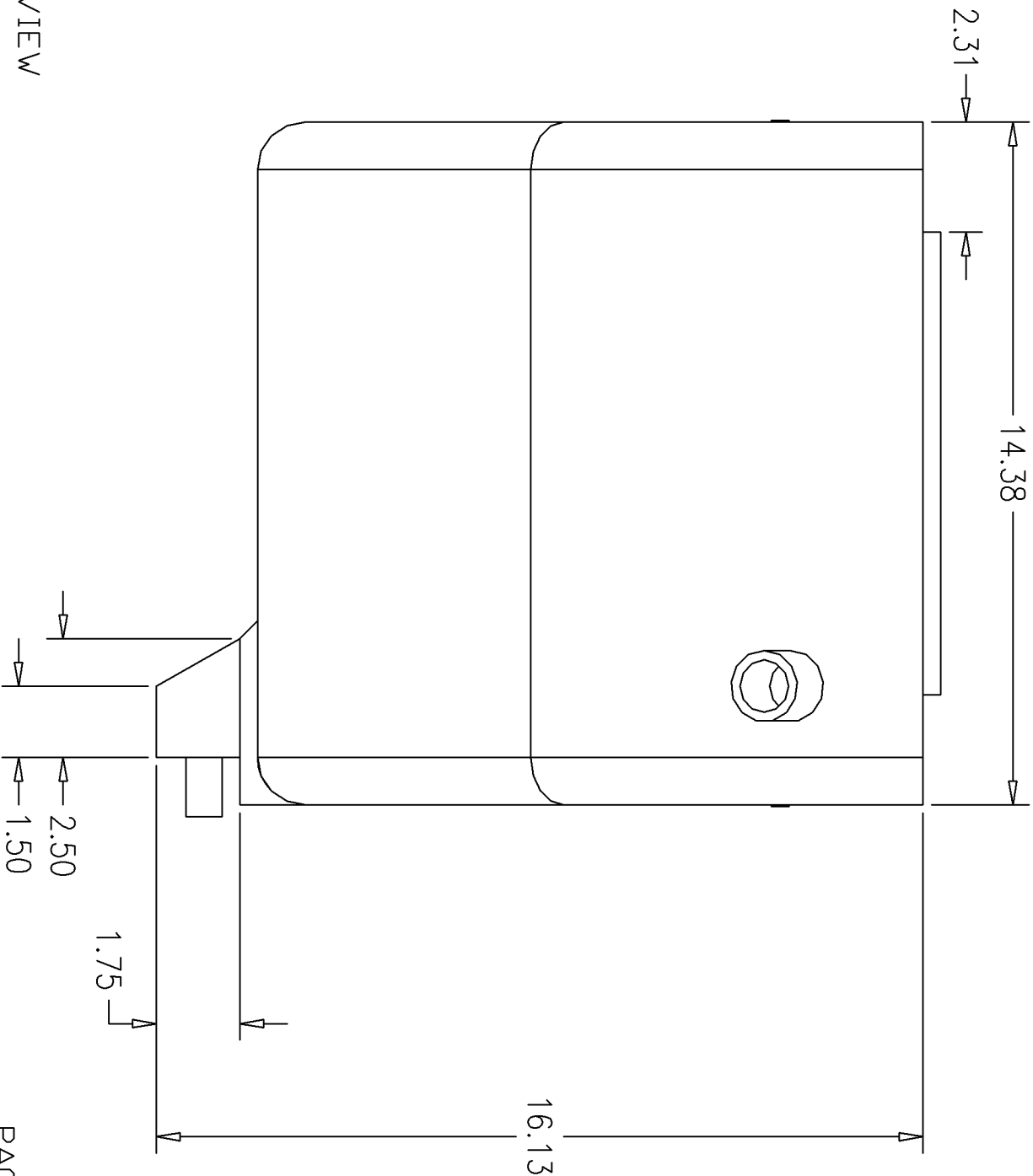


BOTTOM VIEW  
 10/15/96

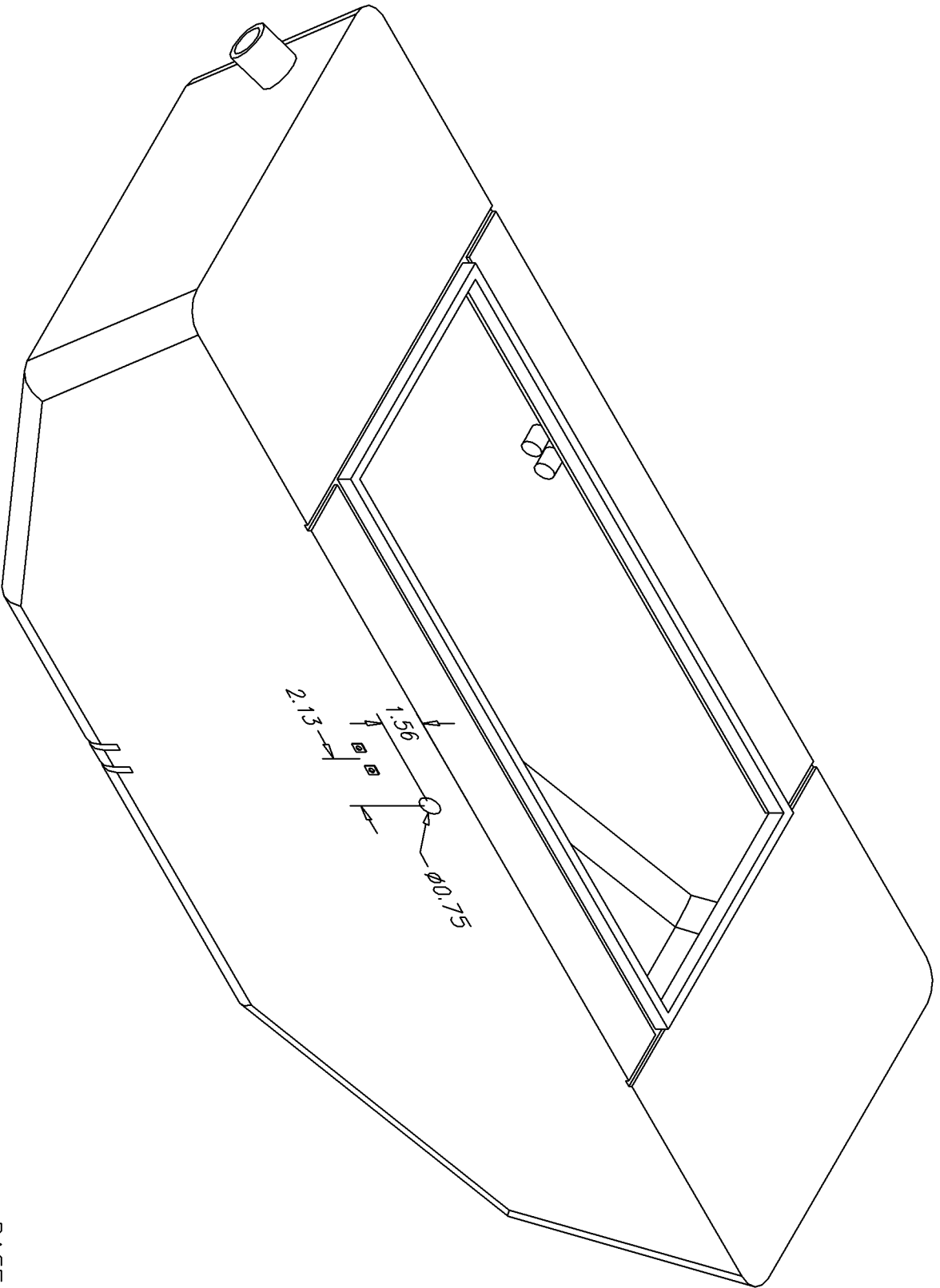
PAGE 3  
 LW-394-R1



FRONT VIEW  
 10/15/96



LEFT SIDE VIEW  
10/15/96



RIGHT ISOMETRIC VIEW  
10/15/96