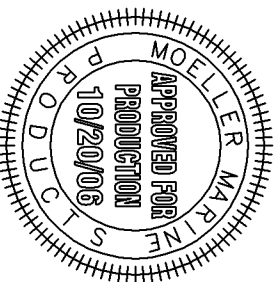
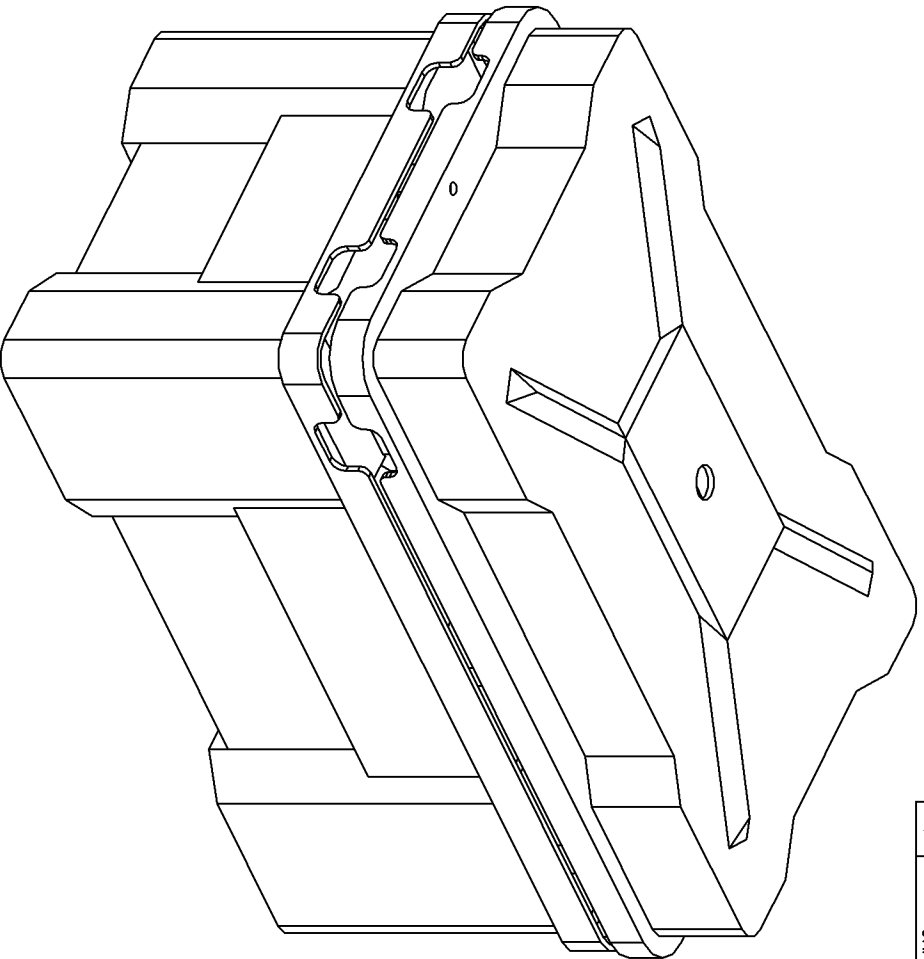


BILL of MATERIALS

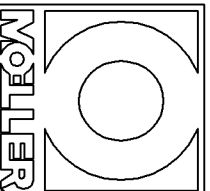
Qty.	DESCRIPTION
4	1/4-20 INSERTS
1	PLASTIC SNAP-IN VENT
2	3/8-16 NYLON WING NUTS
2	3/8-16 KNURLED NYLON THUMB SCREWS
1	Ø1.00 DRILLED HOLE
4	Ø0.31 DRILLED HOLES
	OVERALL HEIGHT 13.58" (ASSEMBLED)

NO.	REVISION	DATE
1	CHANGE DRILL HOLE SIZE, MOVE DRILLED HOLES	9/20/96
2	MOVE INSERTS, MOVE 2 WALLS ON TOP OF PART,	
3	CHANGE DRILL HOLE SIZE, AND CHANGE CUTOUTS	2/12/97
3	CHANGE SIZE OF CUTOUTS, AND BOM	9/9/97
4	CHANGE COLOR FROM GRAY TO BLACK	10/20/06



NOTE: R0.38 ALL EDGES
 UNLESS OTHERWISE NOTED.
 PART IS SYMMETRICAL
 EXCEPT FOR TRIM OPERATION.
 TAPER PART 0.13 ALL EDGES
 UNLESS OTHERWISE NOTED
 (TAPER NOT SHOWN).
 THUMB SCREW TO BE INSERTED
 THROUGH HOLE FROM BOTTOM SIDE.

THIS DRAWING AND THE ATTACHED DRAWINGS (AND THE DATA SHOWN THEREON) IS CONFIDENTIAL AND PROPRIETARY AND SHALL NOT BE USED, DISCLOSED TO OTHERS, REPRODUCED FOR ANY PURPOSE EXCEPT FOR QUOTATION TO OR ORDER BY MOELLER MARINE PRODUCTS, INC. AND/OR ITS SUBSIDIARIES WITHOUT THEIR WRITTEN CONSENT TO THE USE OF SUCH DRAWINGS AND/OR DATA.



DESCRIPTION	BATTERY BOX W/CARTON - (1) 8D/HIGH		
PART #	LW-388	COLOR	BLACK
MATERIAL	LINEAR POLYETHYLENE		
TOLERANCES	±1.5% UNLESS OTHERWISE NOTED		
WALL THK.	0.185"	DATE	10/20/06
DRAWN BY	MOELLER ENGINEERING		