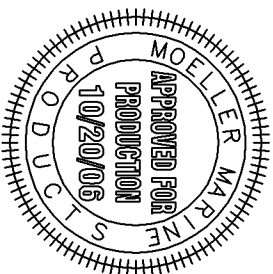
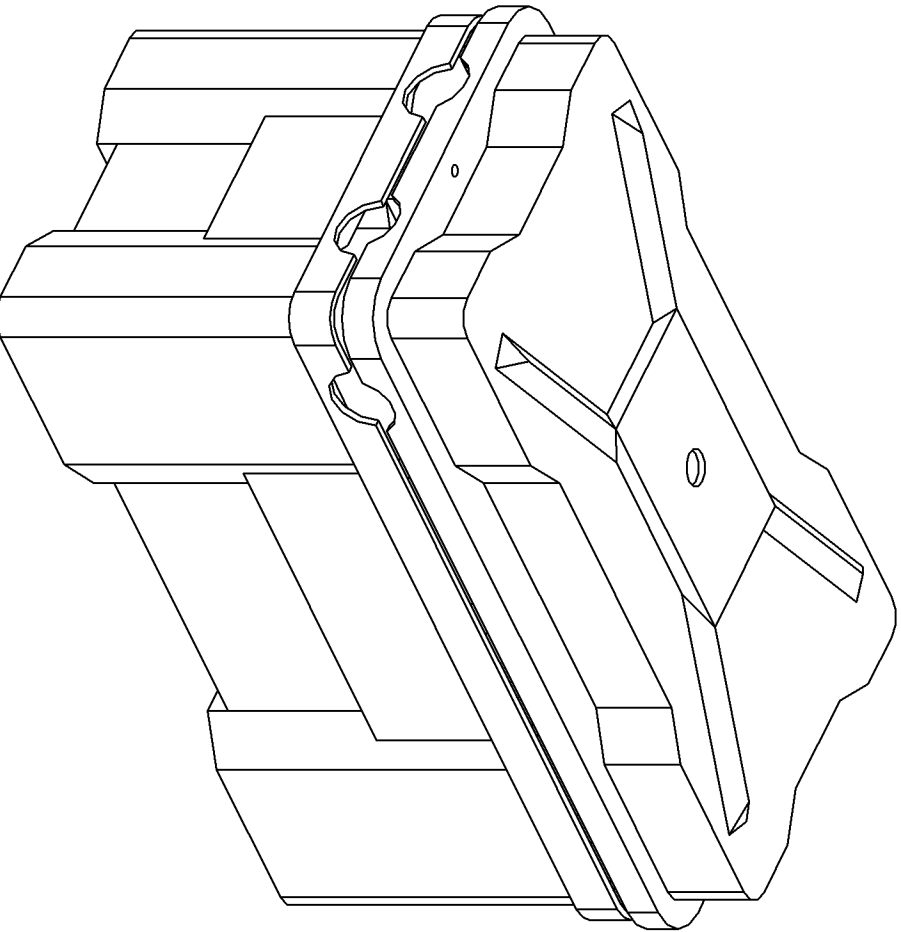


BILL of MATERIALS

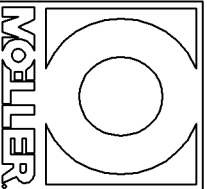
Qty.	DESCRIPTION
4	1/4-20 INSERTS
2	1/4-20 PLASTIC WING NUTS
2	1/4-20 KNURLED PLASTIC THUMB SCREWS
1	SNAP-IN VENT
4	Ø2.00 DRILLED HOLES
1	Ø1.00 DRILLED HOLE
4	Ø0.31 DRILLED HOLES
	OVERALL HEIGHT 12.8875" (ASSEMBLED)

NO.	REVISION	DATE
1	CHANGE DRILL HOLE SIZE, MOVE DRILLED HOLES	9/20/96
2	CHANGE COLOR FROM GRAY TO BLACK	10/20/06



NOTE: R0.38 ALL EDGES
UNLESS OTHERWISE NOTED.
PART IS SYMMETRICAL
EXCEPT FOR TRIM OPERATION.
TAPER PART 0.13 ALL EDGES
UNLESS OTHERWISE NOTED
(TAPER NOT SHOWN).
THUMB SCREW TO BE INSERTED
THROUGH HOLE FROM BOTTOM SIDE.

THIS DRAWING AND THE ATTACHED DRAWINGS (AND THE DATA SHOWN THEREON) IS CONFIDENTIAL AND PROPRIETARY AND SHALL NOT BE USED, DISCLOSED TO OTHERS, REPRODUCED FOR ANY PURPOSE EXCEPT FOR QUOTATION TO OR ORDER BY MOELLER MARINE PRODUCTS, INC. AND/OR IT'S SUBSIDIARIES WITHOUT THEIR WRITTEN CONSENT TO THE USE OF SUCH DRAWINGS AND/OR DATA.



DESCRIPTION	BATTERY BOX 4D (042204)		
PART #	LW-387	COLOR	GRAY
MATERIAL	LINEAR POLYETHYLENE		
TOLERANCES	±1.5% UNLESS OTHERWISE NOTED		
WALL THK.	0.185"	DATE	10/20/06
DRAWN BY	MOELLER ENGINEERING		