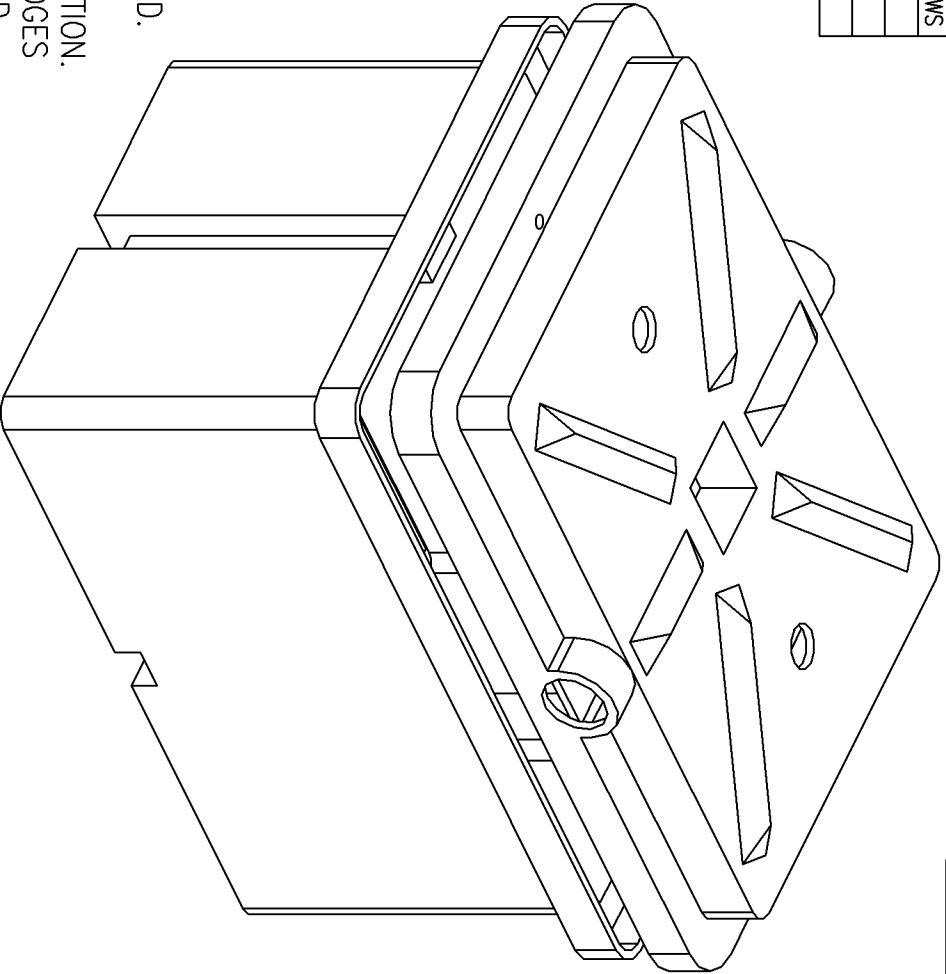


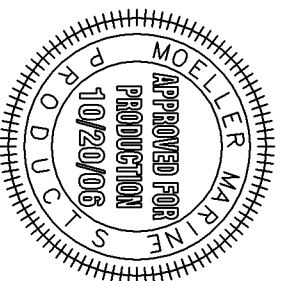
# BILL of MATERIALS

Qty:	DESCRIPTION
4	1/4-20 INSERTS
2	1/4-20 KNURLED PLASTIC THUMB SCREWS
2	1/4-20 PLASTIC WING NUTS
2	PLASTIC SNAP-IN VENTS
	OVERALL HEIGHT 11.0000 (ASSEMBLED)

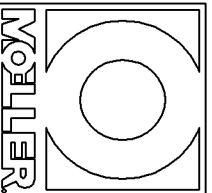
NO.	REVISION	DATE
1	CHANGE DRILL HOLE SIZE, MOVE DRILLED HOLES	9/20/96
2	REDUCE CONE DEPTH IN LID 0.75"	4/11/00
3	CHANGED COLOR FROM GRAY TO BLACK	10/20/06



NOTE: R0.38 ALL EDGES  
 UNLESS OTHERWISE NOTED.  
 PART IS SYMMETRICAL  
 EXCEPT FOR TRIM OPERATION.  
 TAPER PART 0.13 ALL EDGES  
 UNLESS OTHERWISE NOTED  
 (TAPER NOT SHOWN).  
 THUMB SCREW TO BE INSERTED  
 THROUGH HOLE FROM TOP SIDE.



THIS DRAWING AND THE ATTACHED DRAWINGS (AND THE DATA SHOWN THEREON) IS CONFIDENTIAL AND PROPRIETARY AND SHALL NOT BE USED, DISCLOSED TO OTHERS, REPRODUCED FOR ANY PURPOSE EXCEPT FOR QUOTATION TO OR ORDER BY MOELLER MARINE PRODUCTS, INC. AND/OR ITS SUBSIDIARIES WITHOUT THEIR WRITTEN CONSENT TO THE USE OF SUCH DRAWINGS AND/OR DATA.



DESCRIPTION	BATTERY BOX (042212)		
PART #	LW-386	COLOR	BLACK
MATERIAL	LINEAR POLYETHYLENE		
TOLERANCES	±1.5% UNLESS OTHERWISE NOTED		
WALL THK.	0.185"		
DRAWN BY	MOELLER ENGINEERING		
DATE	10/20/06		