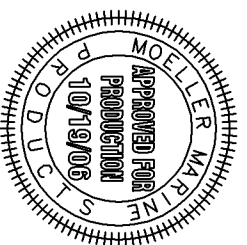
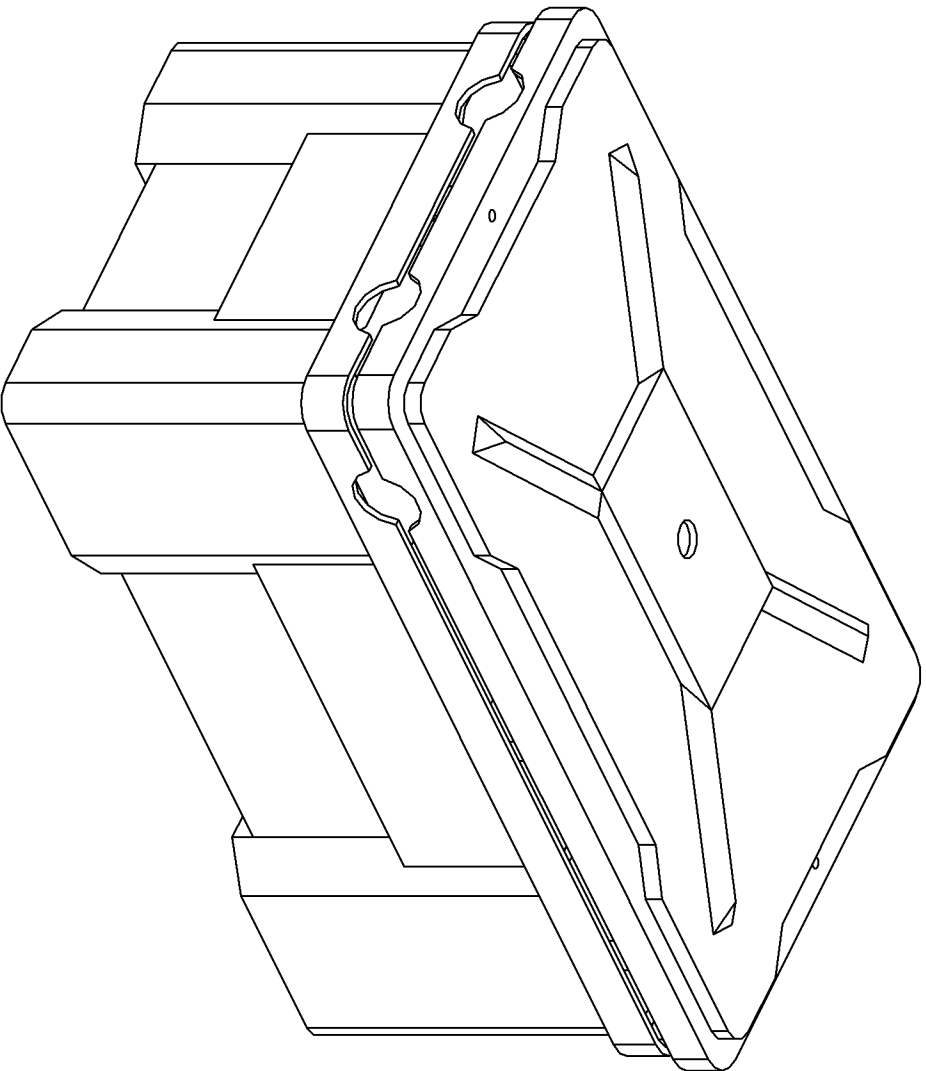


BILL of MATERIALS

Qty.	DESCRIPTION
4	1/4-20 INSERTS
2	1/4-20 KNURLED PLASTIC THUMB SCREWS
2	1/4-20 PLASTIC WING NUTS
1	PLASTIC SNAP-IN VENT
4	Ø2.00 DRILLED HOLES
1	Ø1.00 DRILLED HOLE
4	Ø0.31 DRILLED HOLES
	OVERALL HEIGHT 11.7625" (ASSEMBLED)

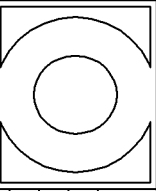
NO.	REVISION	DATE
1	CHANGE DRILL HOLES SIZE, MOVE DRILLED HOLES	9/20/96
2	CHANGE COLOR FROM GRAY TO BLACK	10/19/06



NOTE: R0.38 ALL EDGES
UNLESS OTHERWISE NOTED.
PART IS SYMMETRICAL
EXCEPT FOR TRIM OPERATION.
TAPER PART 0.13 ALL EDGES
UNLESS OTHERWISE NOTED
(TAPER NOT SHOWN).
THUMB SCREW TO BE INSERTED
THROUGH HOLE FROM BOTTOM SIDE.

PAGE 1 OF 5

THIS DRAWING AND THE ATTACHED DRAWINGS (AND THE DATA SHOWN THEREON) IS CONFIDENTIAL AND PROPRIETARY AND SHALL NOT BE USED, DISCLOSED TO OTHERS, REPRODUCED FOR ANY PURPOSE EXCEPT FOR QUOTATION TO OR ORDER, BY MOELLER MARINE PRODUCTS, INC. AND/OR ITS SUBSIDIARIES WITHOUT THEIR WRITTEN CONSENT TO THE USE OF SUCH DRAWINGS AND/OR DATA.

	
DESCRIPTION	BATTERY BOX - (1) 8D/LOW (0422208)
PART #	LW-383
MATERIAL	LINEAR POLYETHYLENE
TOLERANCES	±1.5% UNLESS OTHERWISE NOTED
WALL THK.	0.185"
DRAWN BY	MOELLER ENGINEERING
	DATE 10/19/06