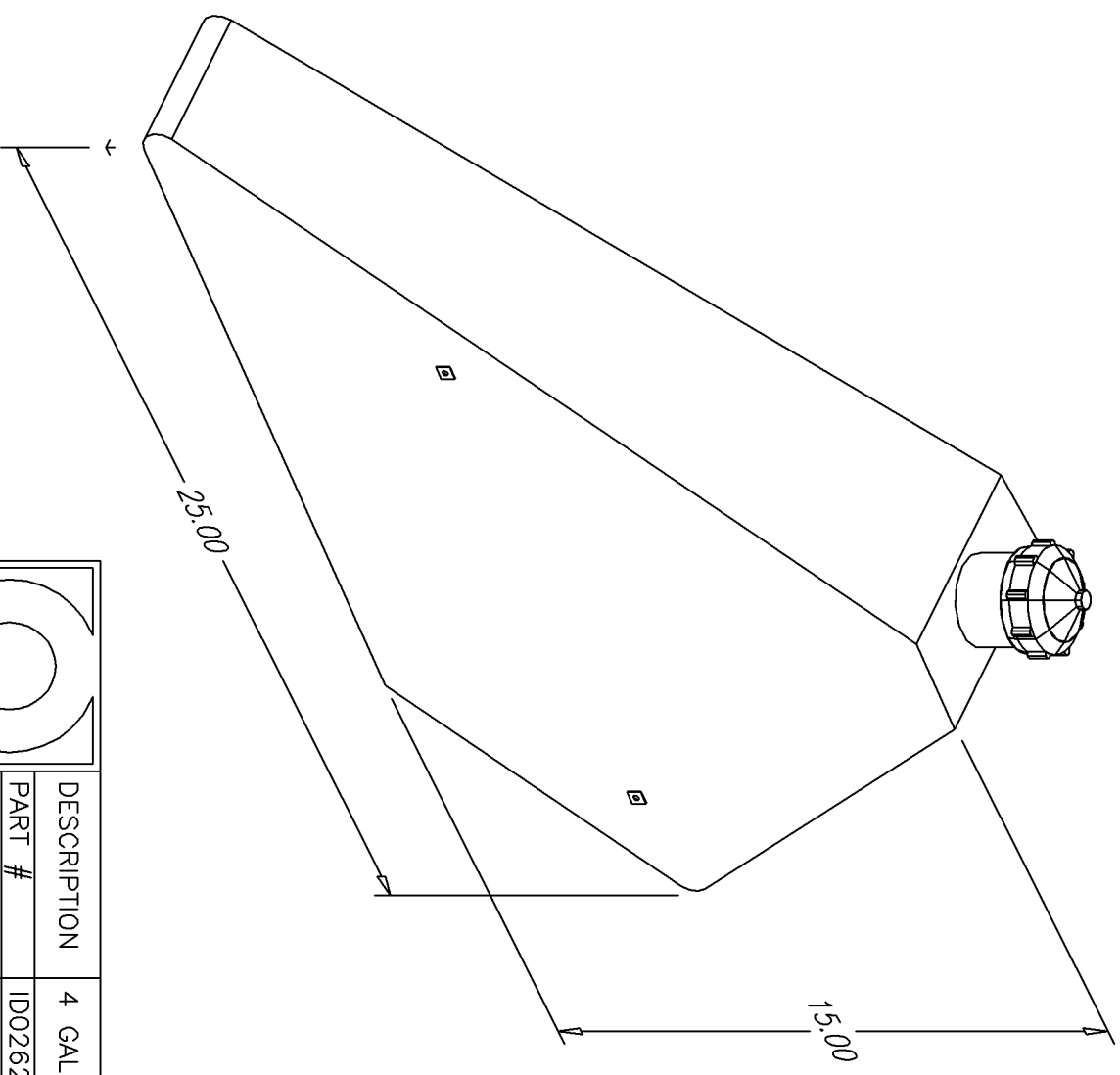


BILL of MATERIALS	
Qty.	DESCRIPTION
1	Ø2.25" KELCH W/ 15.00" GAUGE
2	5/16-18 BLIND ALUM. INSERTS
1	1/8 NPT INSERT W/ 1/8 ALUM. PLUG
OVERALL HEIGHT 16.50"	

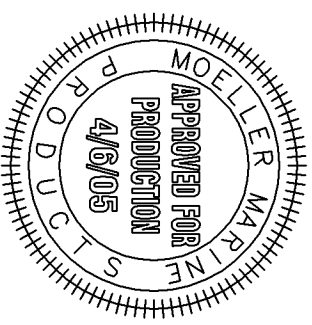
NO.	REVISION	DATE
1	REVISE PARTING LINE, ADD 1/2" RADII, & REMOVE (2) INSERTS.	2/8/05
2	REPLACE 1/4 NPT INSERT W/ 1/8 NPT INSERT.	4/6/05

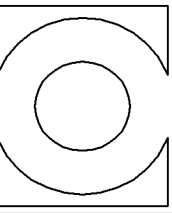


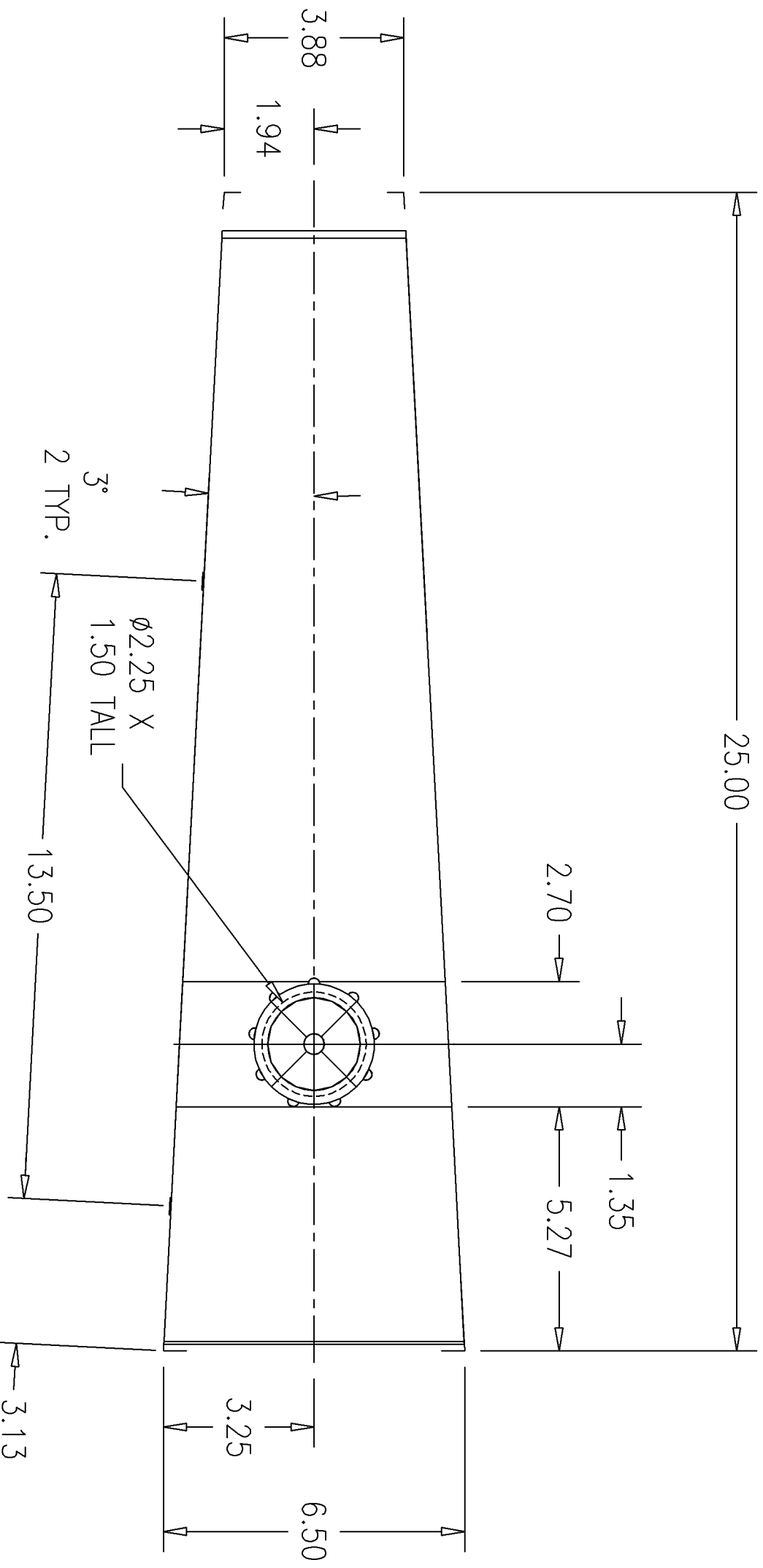
NOTE: ALL EDGES R0.38  
UNLESS OTHERWISE NOTED

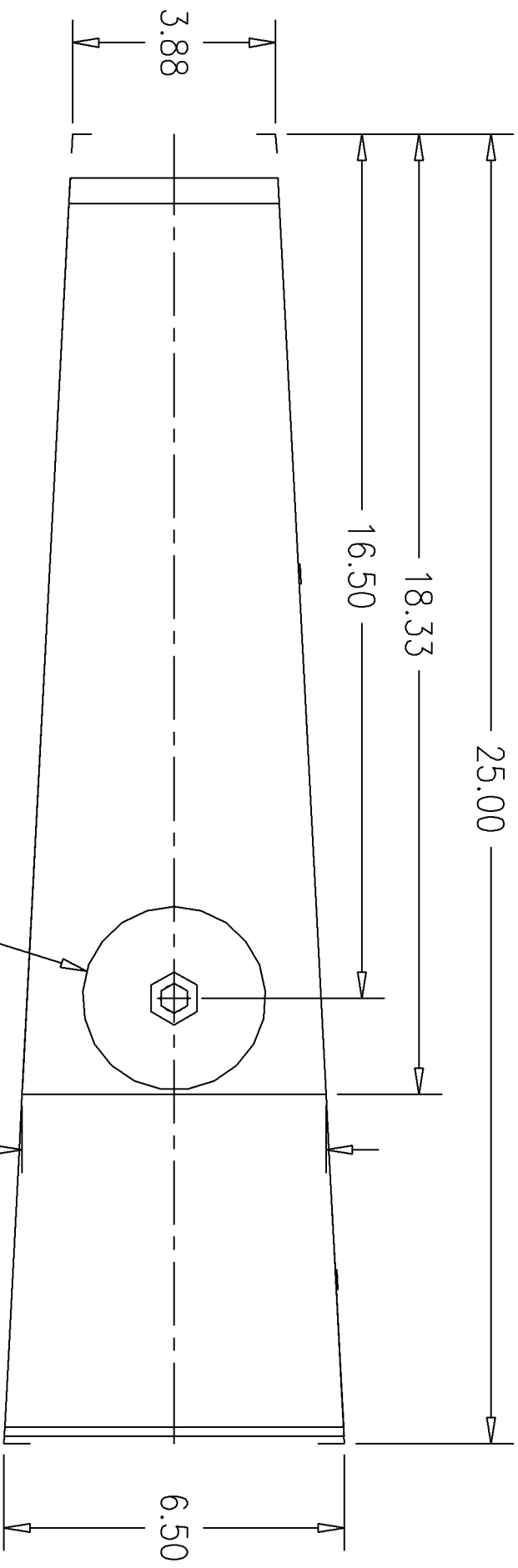
PAGE 1 OF 5

THIS DRAWING AND THE ATTACHED DRAWINGS (AND THE DATA SHOWN THEREON) IS CONFIDENTIAL AND PROPRIETARY AND SHALL NOT BE USED, DISCLOSED TO OTHERS, REPRODUCED FOR ANY PURPOSE EXCEPT FOR QUOTATION TO OR ORDER, BY MOELLER MARINE PRODUCTS, INC. AND/OR ITS SUBSIDIARIES WITHOUT THEIR WRITTEN CONSENT TO THE USE OF SUCH DRAWINGS AND/OR DATA.



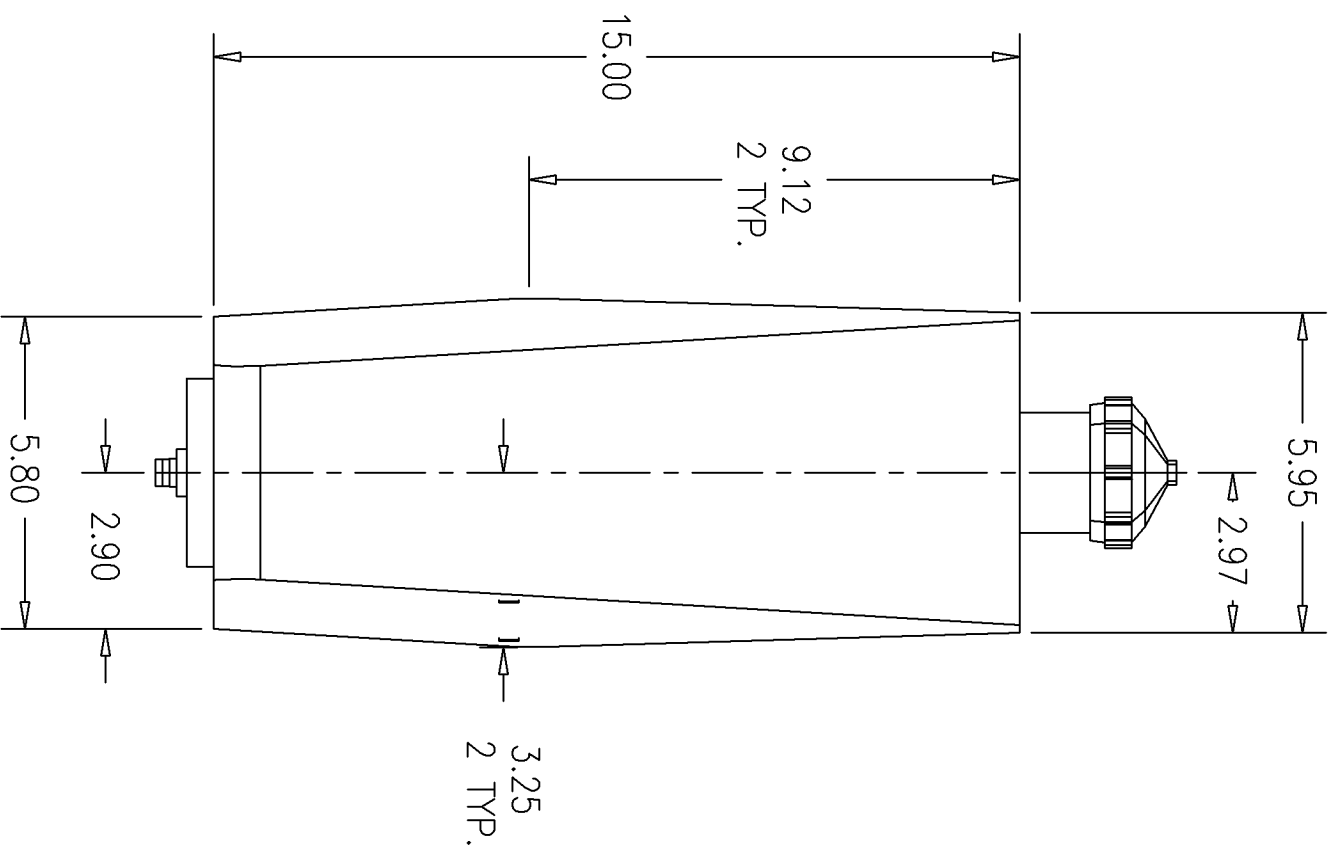
		DESCRIPTION	4 GALLON FUEL TANK - RIGHT
		PART #	ID0262
MATERIAL		CROSSLINK POLYETHYLENE	COLOR BLACK
TOLERANCES		±1.5% UNLESS OTHERWISE NOTED	
WALL THK.		0.200" NOMINAL	
DRAWN BY		MOELLER ENGINEERING	
		DATE	4/6/05

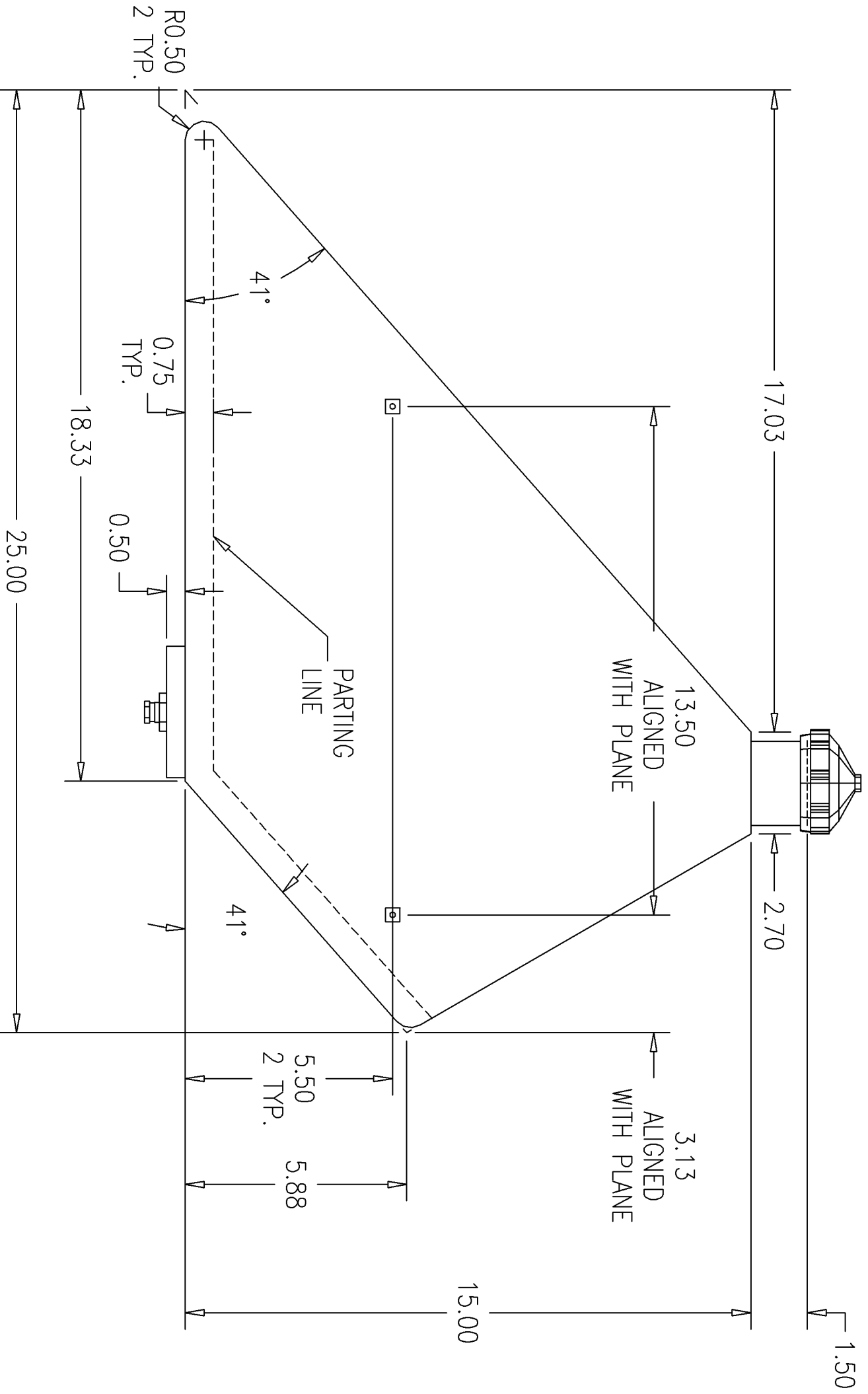




BOTTOM VIEW  
4/6/05

PAGE 3  
ID0262-R2





FRONT VIEW  
4/6/05