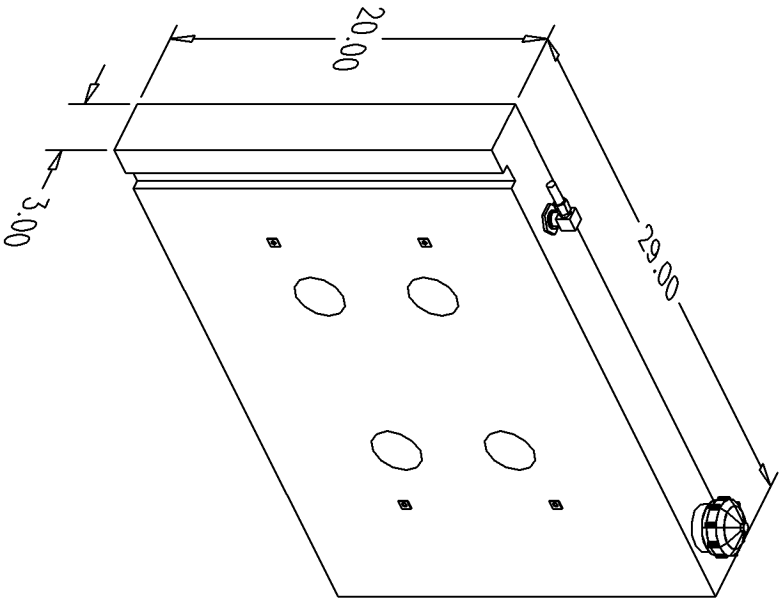


BILL of MATERIALS

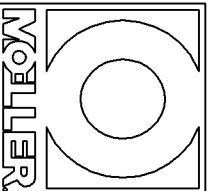
Qty.	DESCRIPTION
1	2.25" KELCH CAP W/ HOODED VENT
1	3/8 NPT PICKUP W/ 1/4" BARB
4	1/4-20 ALUM. INSERTS
OVERALL HEIGHT 26.125"	

NO.	REVISION	DATE
1	CHANGE SCREW VENT KELCH TO HOODED VENT.	9/30/04



NOTE: ALL EDGES R0.38
UNLESS OTHERWISE NOTED

THIS DRAWING AND THE ATTACHED DRAWINGS (AND THE DATA SHOWN THEREON) IS CONFIDENTIAL AND PROPRIETARY AND SHALL NOT BE USED, DISCLOSED TO OTHERS, REPRODUCED FOR ANY PURPOSE EXCEPT FOR QUOTATION TO OR ORDER BY MOELLER MARINE PRODUCTS, INC. AND/OR ITS SUBSIDIARIES WITHOUT THEIR WRITTEN CONSENT TO THE USE OF SUCH DRAWINGS AND/OR DATA.



DESCRIPTION	6 GALLON FUEL TANK		
PART #	ID0255	COLOR	NATURAL
MATERIAL	CROSSLINK POLYETHYLENE		
TOLERANCES	±1.5% UNLESS OTHERWISE NOTED		
WALL THK.	0.200"	NOMINAL	DATE 12/15/04
DRAWN BY	MOELLER ENGINEERING		

